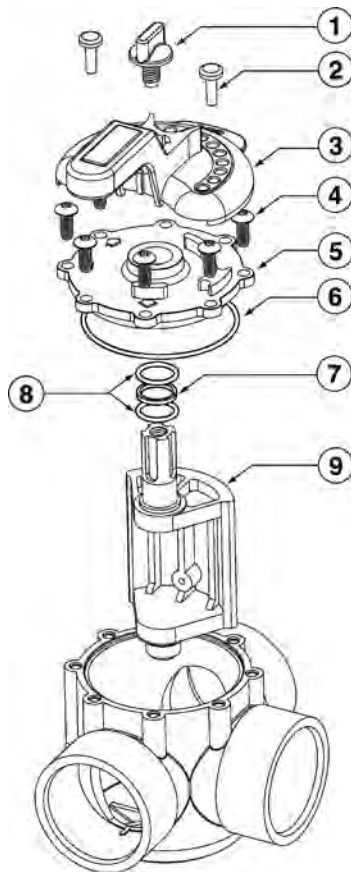


## DIVERTER VALVES – 1-1/2 IN. AND 2 IN.

### REPLACEMENT PARTS (PACFAB AND COMPOOL VALVES)



## CALIFORNIA PROPOSITION 65 WARNING

⚠ **WARNING:** Cancer and Reproductive Harm.  
 ⚠ **AVERTISSEMENT:** Peut Causer le Cancer et des Dommages au Système Reproducteur.  
 ⚠ **ADVERTENCIA:** Cáncer y Daño Reproductivo.  
[www.p65warnings.ca.gov](http://www.p65warnings.ca.gov)

Item No.	Part No.	Description	US List	Can. List
<b>DIVERTER VALVES – 1-1/2 IN. AND 2 IN.</b>				
1	270032	Handle Knob 2 & 3-Way Valve	18.25	21.93
2	270021	Pin stop 2 & 3-Way Valve	2.29	2.75
3	270028	Handle 2 & 3-Way Valve	18.04	21.68
4	520389	Screw Kit, (8 Screws)	41.60	49.99
5	270030	Cover CPVC 2 & 3-Way Valve	19.20	23.07
6	51016200	O-ring #2-152 Buna 70 Shore	3.88	4.66
7	270038	Spacer ring	1.12	1.35
8	192039	O-ring #2-116 Buna 70 Shore	0.30	0.36
9	270056	Diverter assy. 2 & 3-Way Valve, (2–2-1/2 in.) <sup>1</sup>	71.51	85.93
9	270075	Diverter assy. 2 & 3-Way Valve, (1-1/2–2 in.) <sup>1</sup>	82.25	98.83
9	270094	Diverter assy. 3-Way Solar Valve w/ drain down, (2–2-1/2 in.)	119.90	144.07
<b>NOT SHOWN</b>				
	263042Z	Check Valve Replacement Kit	84.09	101.04

<sup>1</sup> Includes: P/N 270038 (Spacer split ring) and P/N 192039 (O-ring).