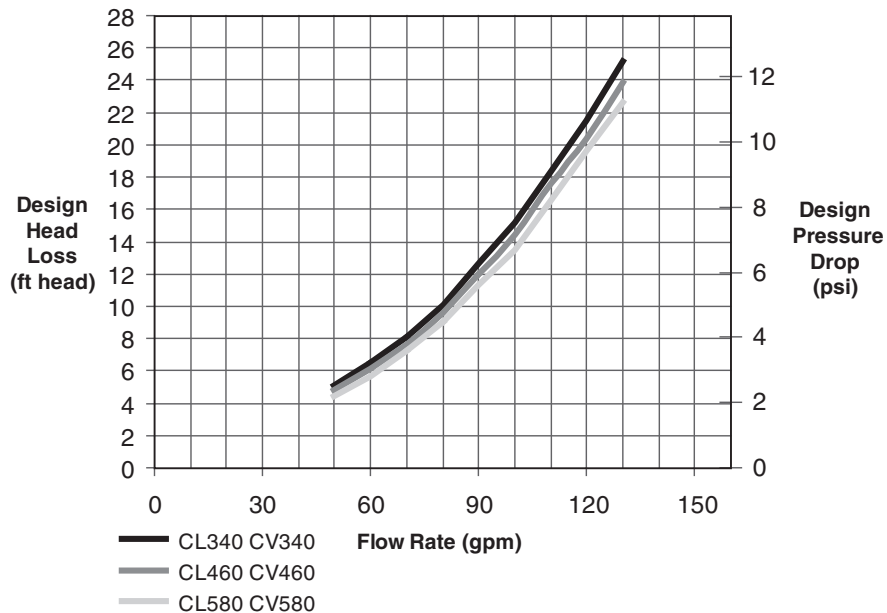




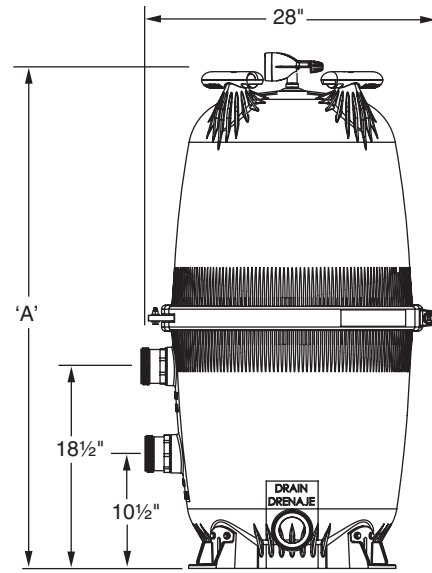
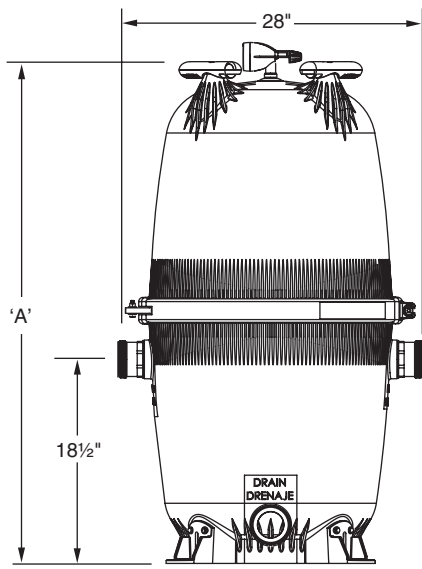
Part No.	Description	Size
CV340	CV Cartridge Filter	340 Sq. Ft.
CV460	CV Cartridge Filter	460 Sq. Ft.
CV580	CV Cartridge Filter	580 Sq. Ft.

Part No.	Description	Size
CL340	CL Cartridge Filter	340 Sq. Ft.
CL460	CL Cartridge Filter	460 Sq. Ft.
CL580	CL Cartridge Filter	580 Sq. Ft.

**CV/CL Filter Head Loss Curves**



## CV/CL Filter Specifications



Specifications and Dimensions, CV Series Filters			
Model No.	CV340	CV460	CV580
Filter Area	340 ft <sup>2</sup>	460 ft <sup>2</sup>	580 ft <sup>2</sup>
Design Flow Rate	.37 gpm/ft <sup>2</sup>	.33 gpm/ft <sup>2</sup>	.26 gpm/ft <sup>2</sup>
Maximum Flow	127 gpm	150 gpm	150 gpm
Six (6) Hour Capacity	45,720 gallons	54,000 gallons	54,000 gallons
Eight (8) Hour Capacity	60,960 gallons	72,000 gallons	72,000 gallons
Maximum Working Pressure	50 psi	50 psi	50 psi
Cartridges Required	4 (85ft <sup>2</sup> each)	4 (115ft <sup>2</sup> each)	4 (145ft <sup>2</sup> each)
Shipping Weight	106 lbs.	106 lbs.	112 lbs.
Height ('A')	41"	41"	47"
Footprint	25" diameter circle	25" diameter circle	25" diameter circle

Specifications and Dimensions, CL Series Filters			
Model No.	CL340	CL460	CL580
Filter Area	340 ft <sup>2</sup>	460 ft <sup>2</sup>	580 ft <sup>2</sup>
Design Flow Rate	.37 gpm/ft <sup>2</sup>	.33 gpm/ft <sup>2</sup>	.26 gpm/ft <sup>2</sup>
Maximum Flow	127 gpm	150 gpm	150 gpm
Six (6) Hour Capacity	45,720 gallons	54,000 gallons	54,000 gallons
Eight (8) Hour Capacity	60,960 gallons	72,000 gallons	72,000 gallons
Maximum Working Pressure	50 psi	50 psi	50 psi
Cartridges Required	4 (85ft <sup>2</sup> each)	4 (115ft <sup>2</sup> each)	4 (145ft <sup>2</sup> each)
Shipping Weight	93 lbs.	95 lbs.	101 lbs.
Height ('A')	41"	41"	47"
Footprint	25" diameter circle	25" diameter circle	25" diameter circle
Distance Between Inlet and Outlet	8 1/2"	8 1/2"	8 1/2"