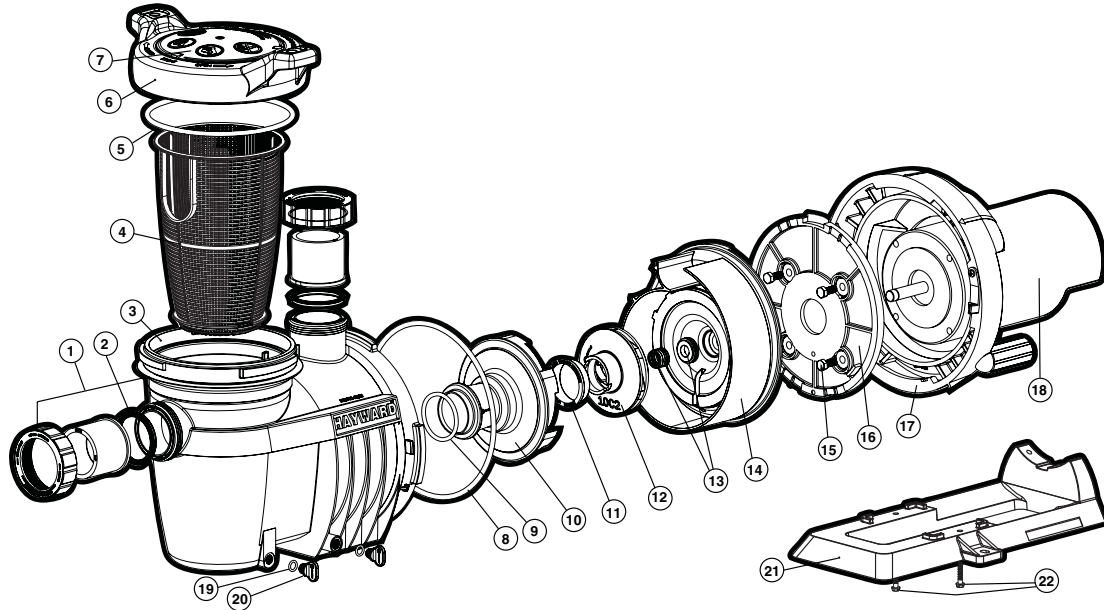




NorthStar™

SP4000 PUMP SERIES (ENERGY EFFICIENT, FULL-RATED) REPLACEMENT PARTS

Parts for Pump Models: SP4005(NS), SP4007(NS), SP4010(NS), SP4015(NS), SP4020(NS), SP4030(NS)



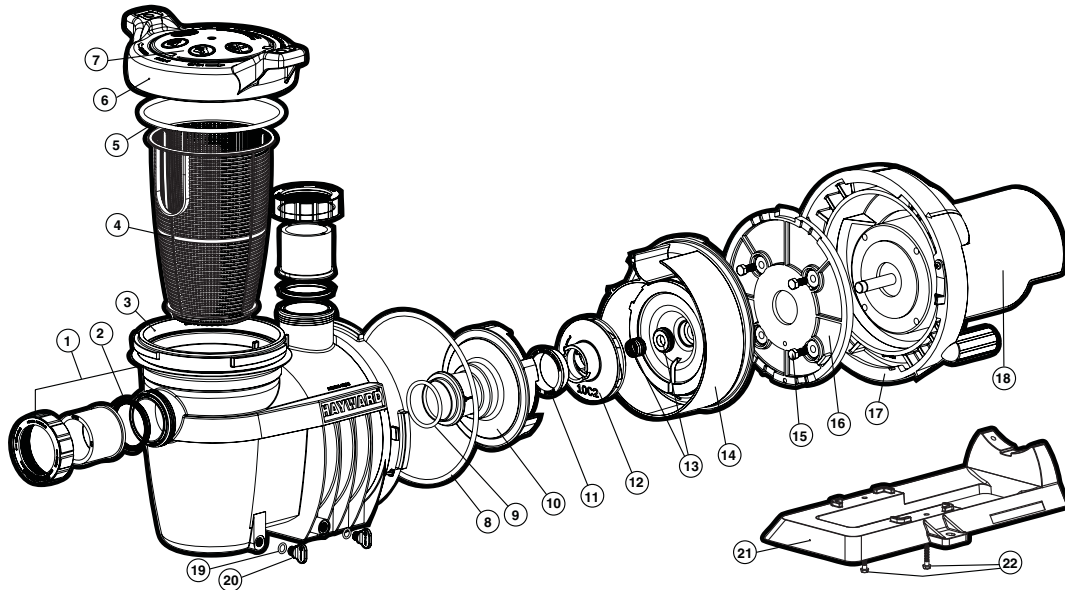
Ref. No.	Part No.	Description	Ctn. Qty.
1	SPX3200UNKIT	Union Connector Kit (Includes 2 ea. Union Nut, Connector and Gasket) (2008 and later)	1
	SPX4000UNPAK1	Union Connector Kit (Includes 1 ea. Union Nut, Connector and Gasket) (2007 and Prior)	1
	SPX4000UNPAK2	Union Connector Kit (Includes 1 ea. Curved Union Connector, O-Ring and Nut) (2007 and Prior)	1
—	SPX4000HSGKIT	Housing Kit (Includes Union Connector Kit (#1), Pump Housing (#3), Strainer Basket (#4), Strainer Cover Kit (#6 & 7) and Drain Plug with O-Ring (#19 & 20))	1
2	SPX3200UG	Union Gasket (T-Seal), 50 Duro EPDM (2008 and later)	1
	SPX4000Z1	Union O-Ring (2007 and Prior)	10
3	SPX4020TP	Pump Housing, Threaded Port (2008 and later)	1
4	SPX4000M	Strainer Basket	1
5	SPX4000S	Strainer Cover O-Ring (2008 and later)	10
	SPX4000TS	Strainer Cover T-Ring (2003-2007)	1
	CX400G	Strainer Cover O-Ring (Prior to 2003)	1
	GMX600F	Pressure Test O-ring (2007 and earlier)	1
6 & 7	SPX4000CLO	Strainer Cover Kit (Includes Strainer Cover, Lock Ring and O-Ring) (2008 and later)	1
	SPX4000CLOB	Strainer Cover Kit for Biguanide Sanitizers (2008 and later NOT Pressure Testable)	1
	SPX4000DLT	Strainer Cover Kit (Includes Strainer Cover, Lock Ring and O-Ring) (2007 and Prior)	1
	SPX4000DLTB	Strainer Cover Kit for Biguanide Sanitizers (2007 and Prior NOT Pressure Testable)	1
8	SPX4000T	Seal Plate O-Ring	10
9	SPX4000Z1	Diffuser O-Ring	10
10	SPX4000B	Diffuser	1
11	SPX3021R	Impeller Ring	1
13	SPX3200SA	Seal Assembly	10
14	SPX4000E	Seal Plate	1
15	SPX0125Z44	Motor Bolt	1
16	SPX4000F	Motor Mounting Plate	1
17	SPX4000K	Motor Lock Ring	1
19 & 20	SPX4000FG	Drain Plug with O-Ring	10
21 & 22	SPX4000GA	Mounting Base with (2) Cap Screws	1
	SPX1600Z52	Mounting Base Cap Screws (set of 2)	1

Parts listed below must be ordered for specific model and H.P.

12	SPX4007CKIT	Impeller for 3/4 H.P. with Impeller Ring and Seal Assembly	10
	SPX4010CKIT	Impeller for 1 H.P. with Impeller Ring and Seal Assembly	10
	SPX4015CKIT	Impeller for 1 1/2 H.P. with Impeller Ring and Seal Assembly	10
	SPX4020CKIT	Impeller for 2 H.P. with Impeller Ring and Seal Assembly	5
	SPX4030CKIT	Impeller for 3 H.P. with Impeller Ring and Seal Assembly	5
18	SPX1605Z1BNS	Motor, 1/2 H.P.	1
	SPX1607Z1BNS	Motor, 3/4 H.P.	1
	SPX1610Z1BNS	Motor, 1 H.P.	1
	SPX1615Z1BNS	Motor, 1 1/2 H.P.	1
	SPX1620Z1BNS	Motor, 2 H.P.	1
	SPX1630Z1BNS	Motor, 3 H.P.	1

NOTE: For models prior to 2003, when replacing either the impeller or seal assembly, must purchase the impeller kit to replace both to ensure compatibility.

Parts for Pump Models: SP4007X10(NS), SP4010X15(NS)/2(NS), SP4015X20(NS)/2(NS), SP4020X25(NS)/2(NS), SP4025X30(NS)



Ref. No.	Part No.	Description	Ctn. Qty.
1	SPX3200UNKIT	Union Connector Kit (Includes 2 ea. Union Nut, Connector and Gasket) (2008 and later)	1
	SPX4000UNPAK1	Union Connector Kit (Includes 1 ea. Union Nut, Connector and Gasket) (2007 and Prior)	1
	SPX4000UNPAK2	Union Connector Kit (Includes 1 ea. Curved Union Connector, O-Ring and Nut) (2007 and Prior)	1
—	SPX4000HSGKIT	Housing Kit (Includes Union Connector Kit (#1), Pump Housing (#3), Strainer Basket (#4), Strainer Cover Kit (#6 & 7) and Drain Plug with O-Ring (#19 & 20))	1
2	SPX3200UG	Union Gasket (T-Seal), 50 Duro EPDM (2008 and later)	1
	SPX4000Z1	Union O-Ring (2007 and Prior)	10
3	SPX4020TP	Pump Housing, Threaded Port (2008 and later)	1
4	SPX4000M	Strainer Basket	1
5	SPX4000S	Strainer Cover O-Ring (2008 and later)	10
	SPX4000TS	Strainer Cover T-Ring (2003-2007)	1
	CX400G	Strainer Cover O-Ring (Prior to 2003)	1
	GMX600F	Pressure Test O-Ring (2007 and earlier)	1
6 & 7	SPX4000CLO	Strainer Cover Kit (Includes Strainer Cover, Lock Ring and O-Ring) (2008 and later)	1
	SPX4000CLOB	Strainer Cover Kit for Biguanide Sanitizers (2008 and later NOT Pressure Testable)	1
	SPX4000DLT	Strainer Cover Kit (Includes Strainer Cover, Lock Ring and O-Ring) (2007 and Prior)	1
	SPX4000DLTB	Strainer Cover Kit for Biguanide Sanitizers (2007 and Prior NOT Pressure Testable)	1
8	SPX4000T	Seal Plate O-Ring	10
9	SPX4000Z1	Diffuser O-Ring	10
	SPX4000B	Diffuser	1
	SPX3021R	Impeller Ring	1
	SPX3200SA	Seal Assembly	10
	SPX4000E	Seal Plate	1
	SPX0125Z44	Motor Bolt	1
	SPX4000F	Motor Mounting Plate	1
	SPX4000K	Motor Lock Ring	1
19 & 20	SPX4000FG	Drain Plug with O-Ring	10
21 & 22	SPX4000GA	Mounting Base with (2) Cap Screws	1
	SPX1600Z52	Mounting Base Cap Screws (set of 2)	1

Parts listed below must be ordered for specific model and H.P.

12	SPX4007CKIT	Impeller for 1 H.P. with Impeller Ring and Seal Assembly	10
	SPX4010CKIT	Impeller for 1 1/2 H.P. with Impeller Ring and Seal Assembly	10
	SPX4015CKIT	Impeller for 2 H.P. with Impeller Ring and Seal Assembly	10
	SPX4020CKIT	Impeller for 2 1/2 H.P. with Impeller Ring and Seal Assembly	5
	SPX4025CKIT	Impeller for 3 H.P. with Impeller Ring and Seal Assembly	5
18	SPX1607Z1MNS	Motor, 1 H.P.	1
	SPX1610Z1MNS	Motor, 1 1/2 H.P.	1
	SPX1610Z2MNS	Motor, 1 1/2 H.P., 2-speed	1
	SPX1615Z1MNS	Motor, 2 H.P.	1
	SPX1615Z2MNS	Motor, 2 H.P., 2-speed	1
	SPX1620Z1MNS	Motor, 2 1/2 H.P.	1
	SPX1620Z2MNS	Motor, 2 1/2 H.P., 2-speed	1
	SPX1625Z1MNS	Motor, 3 H.P.	1

NOTE: For models prior to 2003, when replacing either the impeller or seal assembly, must purchase the impeller kit to replace both to ensure compatibility.