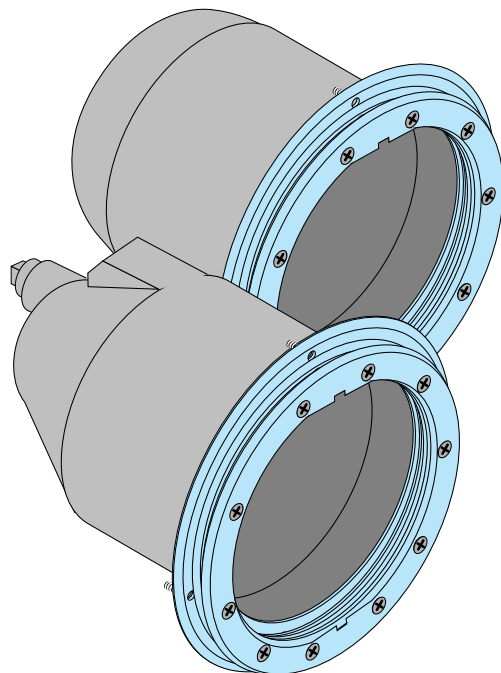


STA-RITE®

Large Underwater Light Niche

O W N E R ' S M A N U A L



INSTALLATION, OPERATION & PARTS



This manual should be furnished to the end user of this niche; its use will reduce service calls and chance of injury and will lengthen niche life.

Sta-Rite Pool/Spa Group

293 Wright Street, Delavan, WI 53115

International: 262-728-5551, FAX: 262-728-7550

www.starite.com

Union City, TN • Delavan, WI • Mississauga, Ont. • Murrieta, CA

© 2004, Sta-Rite Industries

Printed in U.S.A.

S477 (Rev. 4/15/04)

READ AND FOLLOW SAFETY INSTRUCTIONS!

⚠ This is the safety alert symbol. When you see this symbol in this manual, look for one of the following signal words and be alert to the potential for personal injury.

⚠ DANGER warns about hazards that **will** cause serious personal injury, death or major property damage if ignored.

⚠ WARNING warns about hazards that **can** cause serious personal injury, death or major property damage if ignored.

⚠ CAUTION warns about hazards that **will** or **can** cause minor personal injury or property damage if ignored.

The label **NOTICE** indicates special instructions which are important but not related to hazards.

Carefully read and follow all safety instructions in this manual and on equipment.

Use equipment only in a pool or spa installation.

GENERAL SAFETY!

⚠ WARNING **Hazardous voltage.** Incorrectly installed or tested equipment may fail, causing severe injury or property damage. Read and follow instructions in owner's manual when installing and operating equipment. Have a trained pool professional perform all tests.

Always follow basic safety precautions with this equipment, including the following.

⚠ WARNING **To reduce the risk of injury, do not permit children to use this product unless they are closely supervised at all times.**

⚠ WARNING **Risk of electrical shock.** Before removing fixture from pool wall, ALWAYS TURN OFF THE POWER at the breaker.

Install this light niche in accordance with Article 680 of the National Electrical Code (NEC), in the United States, or Section 68 of the Canadian Electrical Code (CEC), as applicable, and all local code requirements.

Install an approved Ground Fault Circuit Interrupter

(GFCI) in the electrical circuit for this light.

Installation, maintenance, testing, and approval of this circuit, the light, light niche, and any other accessories attached to the circuit, must be performed by a qualified, licensed electrician.

The complete electrical system must be installed, tested, and approved by a qualified, licensed electrician before it is placed in operation.

⚠ WARNING **Burn hazard.** Never operate this light fixture for more than 10 seconds unless it is completely submerged in water. This fixture requires total submersion for cooling.

The improper use of Ozone generators, Chlorine generators, Copper/Silver Ion generators or certain chemicals for water purification may cause damage to the fixture. When such water purification methods are used, be sure to monitor the water conditions. Subjecting the fixture to extreme conditions or harsh environments may cause corrosion and premature failure of the fixture or its components.

⚠ WARNING **Glass breakage hazard.** Install fixture in a vertical pool or spa wall – not in floor. Failure to install the fixture properly could result in personal injury and/or property damage. Do not push off from the poolside against the light.

Install fixture at least 18" below normal water level.

Locate junction box at least 8" above maximum water level and not less than 4 feet from the perimeter of the pool.

The junction box must be located:

- at least 4' from the perimeter of the pool (unless separated from the pool by a solid fence, wall or other permanent structure,
- at least 8" above maximum water level,
- at least 4" above the deck or ground level.

Junction boxes should be located off the walkway around the pool and given additional protection by installing them next to a fence, building, or other permanent structure. Make sure that the installation is in compliance with local codes, the NEC, and the CEC, as applicable. See Figure 1, Page 3.

SPECIFICATIONS

Large Underwater Light Niche

Model No.	Pool Liner Type	Conduit Size	Trim Ring Material
PVC Niche Material			
05163-2394	Gunite	1"	N/A
05163-2395	Vinyl	1"	Stainless Steel
05163-2396	Vinyl	1"	ABS
Stainless Steel Niche Material			
05161-2352	Concrete	1/2"	N/A
05161-2353	Concrete	1/2"	N/A
05161-2354	Concrete	3/4"	N/A
05161-2355	Concrete	3/4"	N/A
05161-2356	Concrete	1"	N/A
05161-2357	Concrete	1"	N/A
05161-2358	Vinyl	1/2"	Stainless Steel
05161-2359	Vinyl	1/2"	Stainless Steel
05161-2360	Vinyl	3/4"	Stainless Steel
05161-2361	Vinyl	3/4"	Stainless Steel
05161-2362	Vinyl	1"	Stainless Steel
05161-2363	Vinyl	1"	Stainless Steel
05161-2364	Vinyl	1/2"	ABS
05161-2365	Vinyl	1/2"	ABS
05161-2366	Vinyl	3/4"	ABS
05161-2367	Vinyl	3/4"	ABS
05161-2368	Vinyl	1"	ABS
05161-2369	Vinyl	1"	ABS

INSTALLATION

⚠ WARNING Risk of electrical shock. Before removing fixture from pool wall, ALWAYS TURN OFF THE POWER at the breaker.

"Except when the fixture is installed in an area of the swimming pool that is not used for swimming and the lens is adequately guarded to keep any person from contacting it, the fixture shall be installed in or on a wall of the pool with the top of the lens opening not less than 18 inches below the normal water level of the pool."

Installation In Vinyl Liner Pool

(Refer to Figures 2 & 5 For Model Numbers 05161-2358 through 2369, 05163-2395, and 05163-2396)

1. Mark the location of the top of the hole to be cut in the pool wall (be sure that the topmost part of the lens will be more than 18" below the water level). Then mark the diameter of the hole (12-1/4" to 12-1/2"). Cut along the circle you marked on the pool wall.
- NOTICE:** If your pool uses American Standard pre-punched steel panels, please go to step 4. Otherwise, please proceed with Step 2, below.
2. Insert the niche into the pool wall from the inside of the pool. Make sure that the odd spaced holes are at the top and bottom and that the niche is aligned so that the alignment notch for the lamp housing is at the bottom of the niche (threaded hole at the top).
3. There are four countersunk through-holes in the niche flange (Key No.1, Figure 5). Mark the location of these holes on the pool wall and then drill them with a 7/32" bit. Fasten the niche in place with four #10-24 x 1" flat head screws (Key No. 4) and nuts (provided, Key No. 3). Do not overtighten. Please go to step 7 (Bonding).

For American Standard pre-punched steel panels only: If you are using American Standard pre-punched steel panels, the niche can be installed on the outside of the pool wall as follows:

4. Slide the channel gasket (Key No. 8) into place on the inside of the niche opening in the pool wall, with the thick side of the gasket inside the pool (See Figure 3).
5. Leave liner gasket (Key No. 6) in place against the face of the niche and fasten the niche to the wall with two #10-24 x 7/8" pan head screws (provided, Key No. 7). Do not overtighten.
6. Connect conduit to the back of the niche.

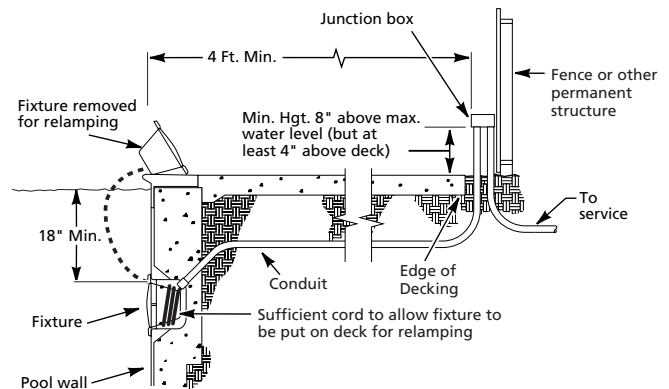


Figure 1: Lamp Niche Installation

ALL NICHES:

7. Bonding:

- A. If rigid non-metallic conduit is used, run a #8 solid or stranded copper wire inside the conduit from the bonding lug inside the niche to the junction box. Tighten the bonding lug to 25 in-lbs. of torque. Completely encapsulate the bonding lug inside the niche with an approved encapsulating material as required by the NEC and CEC.
- B. If red brass conduit is used, connect a #8 solid copper wire from the bonding lug on the back of the niche to both the steel in the pool structure and to the red brass conduit. Tighten the bonding lug to 25 in-lbs. of torque. Use an approved direct burial cold water clamp to connect the wire to the conduit.

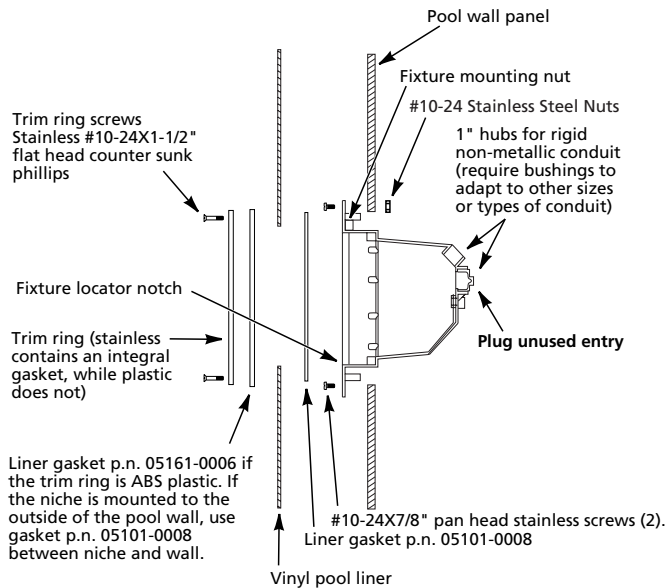


Figure 2: Vinyl Liner Niche Installation

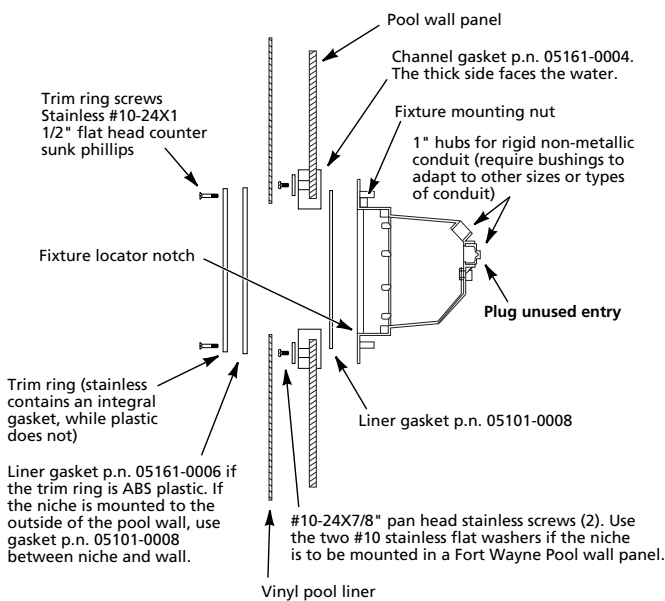


Figure 3: Vinyl Liner Niche Installation with American Standard Pre-punched steel panels

- 8. Lay vinyl in place over the niche.
- 9. Gasket installation: Place gasket and trim ring over the vinyl liner and fasten them with the ten #10-24 x 1-1/2" stainless steel flat head screws provided. Stainless steel trim ring requires a gasket (Key No.10). ABS plastic trim ring requires a gasket (Key No. 9).

Installation In Gunite Pool

(Refer to Figure 4 For Model Numbers, 05163-2352 through 2357, and 05163-2394).

- 1. Wire the niche to the re-bar in the desired location (be sure that the topmost part of the lens will be more than 18" below the water level). Make sure that the odd spaced holes are at the top and bottom and that the niche is aligned so that the alignment notch for the lamp housing is at the bottom of the niche (threaded hole at the top - Figure 4).
- 2. Connect conduit to the back of the niche. If 1" or 3/4" rigid non-metallic conduit is used, then an adapter bushing will be required. If red brass conduit is used, then a threaded bushing will be required.
- 3. Bonding:
 - A. If rigid non-metallic conduit is used, run a #8 solid or stranded copper wire inside the conduit from the bonding lug inside the niche to the junction box. Tighten the bonding lug to 25 in-lbs. of torque. Completely encapsulate the bonding lug inside the niche with an approved encapsulating material as required by the NEC.
 - B. If red brass conduit is used, connect a #8 solid copper wire from the bonding lug on the back of the niche to both the steel in the pool structure and to the red brass conduit. Tighten the bonding lug to 25 in-lbs. of torque. Use an approved direct burial cold water clamp to connect the water to the conduit.

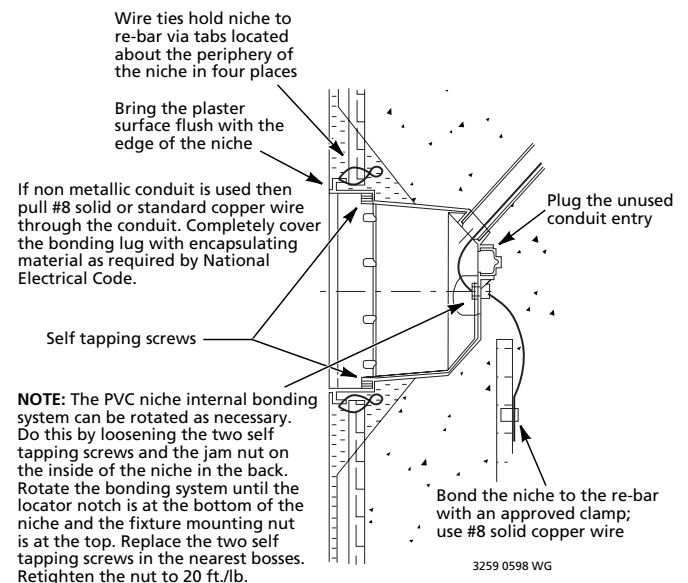


Figure 4: Gunite Pool Niche Installation

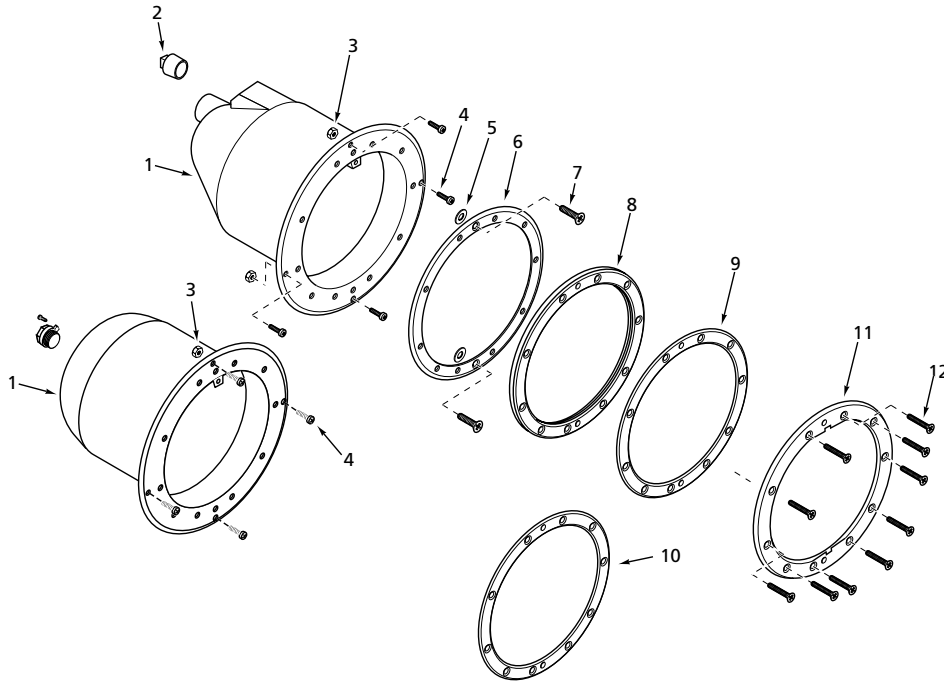


Figure 5 – Large Light Niche Exploded View

REPAIR PARTS LIST – LARGE STAINLESS STEEL LIGHT NICHES

Key No.	Part Description	Qty.	GUNITE	VINYL/SS TRIM RING	VINYL/ABS TRIM RING
			05161-2352 05161-2353 05161-2354 05161-2355 05161-2356 05161-2357	05161-2358 05161-2359 05161-2360 05161-2361 05161-2362 05161-2363	05161-2364 05161-2365 05161-2366 05161-2367 05161-2368 05161-2369
1	Light Housing	1	†	†	†
2	1" Male PVC Plug	1	-	36305-4031	36305-4031
3	#10-24 Stainless Steel Hex Nut	4	††	35407-0031	35407-0031
4	#10-24 x 1" Stainless Steel Pan Head Screw	4	††	37057-0612	37057-0612
5	Washer, #10 Flat Stainless Steel	4	††	38907-0020	38907-0020
6	Liner Gasket	1	††	05101-0008	05101-0008
7	#10-24 x 7/8" Stainless Steel Pan Head Screw	2	††	37337-0099	37337-0099
8	Channel Gasket	1	††	05161-0004	05161-0004
9	Liner Gasket	1	††	††	05161-0006
10	Integral Gasket for Stainless Steel Trim Ring	1	††	05161-0001	††
11	Stainless Steel Trim Ring with Gasket Kit	1	††	05161-0002	††
11	Trim Ring, white with Gasket Kit	1	††	††	05161-0103
12	#10-24 x 1-1/2" Stainless Steel Flat Pan Head Screw	10	††	37057-0615	37057-0615

REPAIR PARTS LIST – LARGE PVC LIGHT NICHES

Key No.	Part Description	Qty.	GUNITE	VINYL/SS TRIM RING	VINYL/ABS TRIM RING
			05163-2394	05163-2395	05163-2396
1	Light Housing	1	†	†	†
2	PVC Plug, 1" Male	1	36305-4031	36305-4031	36305-4031
3	Hex Nut, #10-24 Stainless Steel	4	††	35407-0031	35407-0031
4	#10-24 x 1" Stainless Steel Pan Head Screw	4	††	37057-0612	37057-0612
5	Washer, #10 Flat Stainless Steel	4	††	38907-0020	38907-0020
6	Liner Gasket	1	††	05101-0008	05101-0008
7	#10-24 x 7/8" Stainless Steel Pan Head Screw	2	††	37337-0099	37337-0099
8	Channel Gasket	1	††	05161-0004	05161-0004
9	Liner Gasket	1	††	††	05161-0006
10	Integral Gasket for Stainless Steel Trim Ring	1	††	05161-0001	††
11	Stainless Steel Trim Ring with Gasket	1	††	05161-0002	††
11	Trim Ring, ABS	1	††	-	05161-0103
12	#10-24 x 1-1/2" Stainless Steel Flat Pan Head Screw	10	††	37057-0615	37057-0615

† Not sold separately

†† Does not apply

STA-RITE LIMITED WARRANTY

Pumps, filters, skimmers, underwater lights (except bulbs), accessories and fittings manufactured by Sta-Rite are warranted to be free of defects in material and workmanship for one (1) year from date of installation.

Product specific warranties: **Year from date of installation**

<i>HRPB, DEPB, System 3, System 2 and Posi-Clear</i>	
Tanks	10 years
Internal filter components and valves	1 year
<i>Max-E-Therm - Pool/Spa Heaters</i>	
Heater Enclosure only (Upper RH & LH; lower enclosure; and control board enclosure)...	10 years
<i>Automatic Pool Cleaners including Hose</i>	
	2 years
<i>Cristal-Flo filters - Tanks</i>	
Valve and internal components.	1 year
<i>Posi-Flo II - Tanks</i>	
	10 years
Elements	1 year
<i>PRC Cartridge -</i>	
Filter Tanks	5 years pro-rated (1st 2 years full)
Elements	1 year
<i>System 2 Above Ground Systems - Tanks</i>	
Pumps / Platform and Internals	1 year
<i>Pumps</i>	
When equipped with A.O. Smith 2-compartment motors (Does not include pumps sold as part of a systems package)	2 years
<i>Traps / In-Line Strainers</i>	
	1 year
<i>Vertical Commercial Filter - Tanks</i>	
Internals	1 year
<i>Horizontal Commercial Filter</i>	
Tanks	5 years (Years 6-9, Prorated declining 20%/year, Yr. 10 - 10%)
Internals	1 year

* Full warranty coverage is in effect for one year after installation. The pro-rated warranty covers the *tank only* during the 2nd through 10th year after installation. The amount covered decreases by 10% each year. (ie., 2nd year 90% covered, 3rd year 80% covered, etc.).

The foregoing warranties relate to the original consumer purchaser ("Purchaser") only. Sta-Rite shall have the option to repair or replace the defective product, at its sole discretion. Purchasers must pay all labor and shipping charges necessary to replace the product covered by this warranty. Requests for warranty service must be made through the installing dealer. This warranty shall not apply to any product that has been subject to negligence, misapplication, improper installation or maintenance, or other circumstances which are not in Sta-Rite's direct control.

This warranty sets forth Sta-Rite's sole obligation and Purchaser's exclusive remedy for defective products.

STA-RITE SHALL NOT BE LIABLE FOR ANY CONSEQUENTIAL, INCIDENTAL OR CONTINGENT DAMAGES WHATSOEVER.

THE FOREGOING WARRANTIES ARE EXCLUSIVE AND IN LIEU OF ALL OTHER EXPRESS WARRANTIES. IMPLIED WARRANTIES, INCLUDING BUT NOT LIMITED TO THE IMPLIED WARRANTIES OF MERCHANTABILITY AND FITNESS FOR A PARTICULAR PURPOSE, SHALL NOT EXTEND BEYOND THE DURATION OF THE APPLICABLE EXPRESS WARRANTIES PROVIDED HEREIN.

Some states do not allow the exclusion or limitation of incidental or consequential damages or limitations on how long an implied warranty lasts, so the above limitations or exclusion may not apply to you. This warranty gives you specific legal rights and you may also have other rights which vary from state to state.

Supersedes all previous publications.

Sta-Rite Industries
293 Wright St., Delavan, WI 53115

▲ Retain Warranty Certificate (upper portion) in a safe and convenient location for your records.

DETACH HERE: Fill out bottom portion completely and mail within 10 days of purchase/installation to:



Sta-Rite, Attn: Warranty Dept., 293 Wright St., Delavan, WI 53115



Warranty Registration Card

Name _____

Address _____

City _____ State _____ Zip _____

Purchase Date _____

Product Purchased _____

New installation Replacement

Type of Pool Inground Vinyl Fiberglass Gunite

Size of Pool _____

Years pool has been in service less than 1 1-3 3-5 5-10

Purchased from: _____

Company name _____

Address _____

City _____ State _____ Zip _____

Please send me more information on these other products from Sta-Rite.

- Pumps Filters Automatic Pool Cleaners
 Maintenance Equipment Test Strips
 Heaters