

POOL
MODELS: 106A & 156A

CATALOG NO. 9100.83
Effective: 10-16-13
Replaces: NEW

RAYPAK ILLUSTRATED PARTS LIST

MODEL SIZE: 106A & 156A

MODEL TYPE: POOL/SPA HEATER

DATES OF MANUFACTURE: 06-01-13 THRU CURRENT

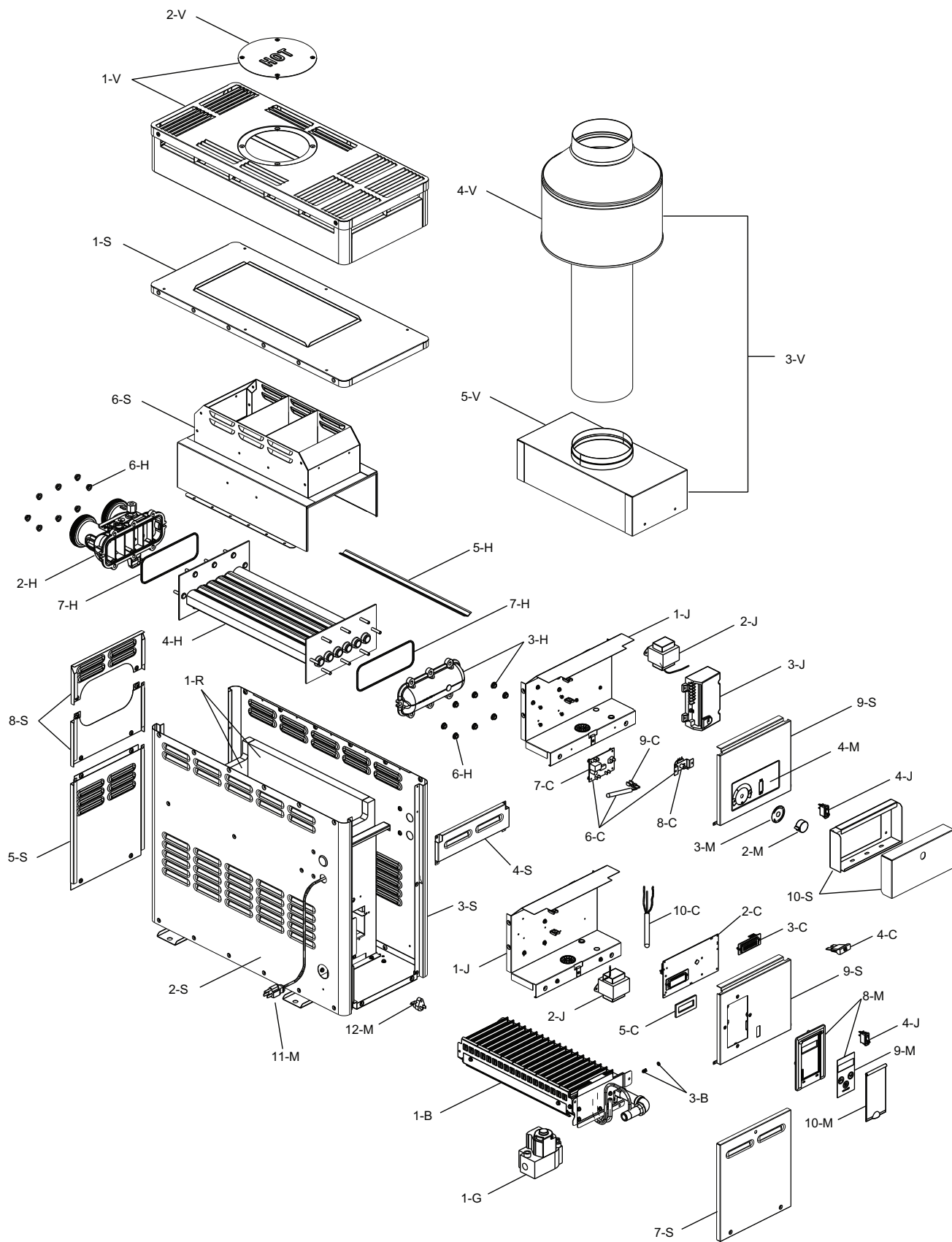
THE PARTS LISTED ARE FOR STANDARD EQUIPMENT FOR THIS MODEL TYPE. RAYPAK RESERVES THE RIGHT TO SUBSTITUTE, DELETE OR CHANGE ANY PART WITHOUT NOTIFICATION. THE ADDITION OF OPTIONS MAY ALSO CHANGE SOME OF THE PARTS. ORDER REPLACEMENT PARTS FROM ACTUAL HEATER COMPONENTS.

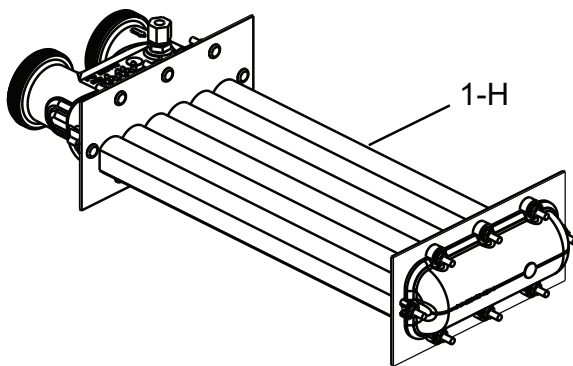
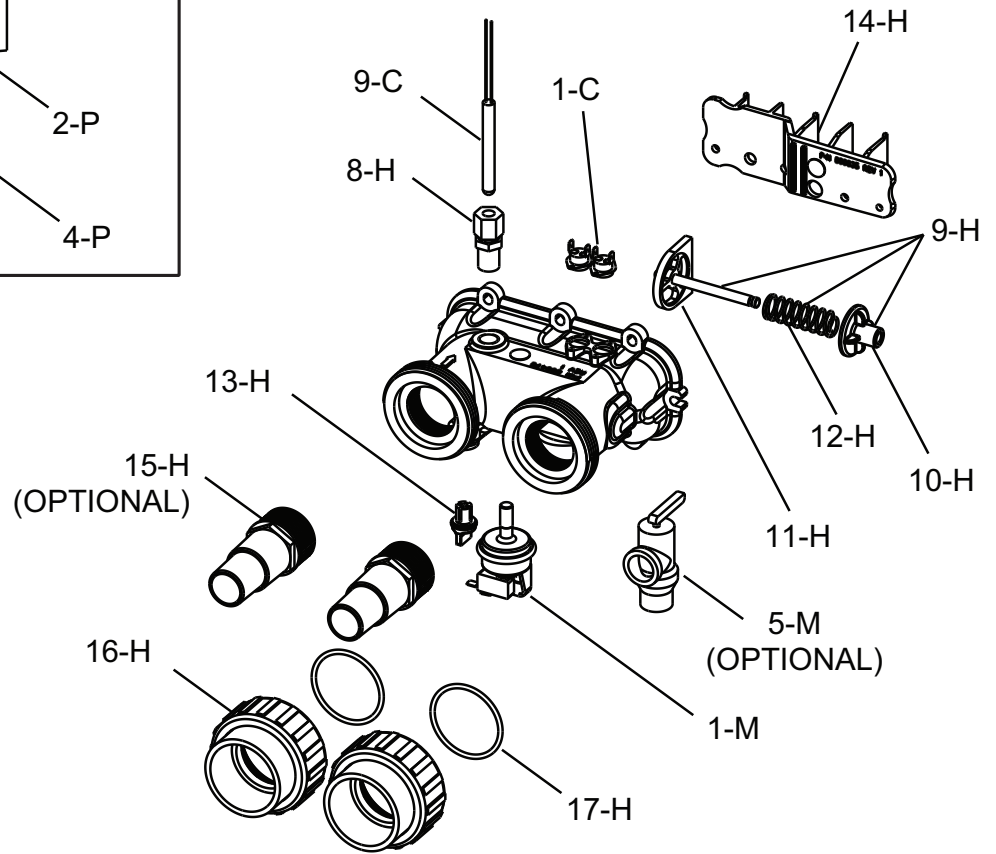
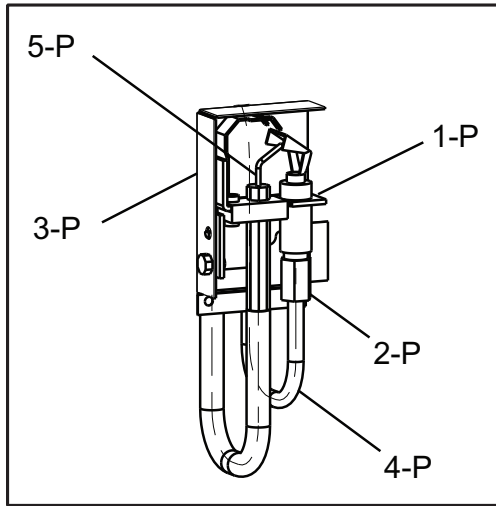


FOR DETAILED INSTRUCTIONS, SEE "HOW TO USE YOUR RAYPAK ILLUSTRATED PARTS LIST",
CATALOG NO. 9001.10



Raypak, Inc., 2151 Eastman Avenue, Oxnard, CA 93030
(805) 278-5300 Fax (800) 872-9725
Litho In U.S.A.





CALL OUT	DESCRIPTION	106A	156A
B BURNER TRAY			
1-B	Burner Tray (Sea Level)* Natural Gas Propane Gas	014841F 014845F	014842F 014846F
	Burner Tray w/Gas Valve (Sea Level)* Natural Gas Propane Gas	014849F 014853F	014850F 014854F
2-B	Burner	N/A	N/A
3-B	Burner Orifice (Sea Level)* Natural 1.30mm Propane .84mm	014857F/13 014861F/13	014858F/19 014862F/19
C CONTROLS			
1-C	Thermostat Auto Reset 135° Surface Mount	006725F	006725F
2-C	P. C. Board/Control (Digital)	N/A	013464F
3-C	LCD Display	N/A	013640F
4-C	Fuse 5 AMP	N/A	013733F
5-C	Seal Gasket	N/A	014866F
6-C	Thermostat Control (Analog)	011585F	N/A
7-C	PC Board	014923F	N/A
8-C	Potentiometer	011586F	N/A
9-C	Temperature Sensor Analog (2 Wire)	011587F	N/A
10-C	Temperature Sensor Digital (3 Wire)	N/A	009577F
G GAS VALVE			
1-G	Combination Valve Nat. Combination Valve Pro.	014867F 014868F	014867F 014868F
H HEAT EXCHANGER			
1-H	Heat Exchange Assy Copper	014869F	014870F
2-H	Inlet/Outlet Header Complete Inlet/Outlet Header (Includes 6-H)	014873F 011595F	014873F 011595F
3-H	Return Header (Includes 6-H)	011596F	011596F
4-H	Tube Bundle Copper **	014874F	014875F
5-H	Baffle (Cupro Nickel)	N/A	N/A
6-H	Flange Nut Kit	008259F	008259F
7-H	O Ring Gasket (2)	011600F	011600F
8-H	Sensor Adapter	006714F	006714F
9-H	Bypass Kit	014880F	014880F
10-H	Bypass Valve	006716F	006716F
11-H	Bypass Dam / Shaft	006717F	006717F
12-H	Bypass Spring	014881F	014881F
13-H	Drain Plug	006721F	006721F
14-H	Inlet/Outlet Header Dam	014882F	014882F
15-H	Hose Adapter 1-1/2" MPT x 1-1/2" Hose (Optional)	011635	011635
16-H	2" CPVC Connector & Nut (2)	006723F	006723F
17-H	O Ring Seal (2)	006724F	006724F
J CONTROL BOX			
1-J	Control Box Analog (Includes 7-C) Natural Gas Propane Gas	014883F 014913F	N/A N/A
2-J	Transformer 120/240/24V Analog Digital	011605F N/A	N/A 006736F
3-J	Ignition Control Natural Gas (Analog) Ignition Control Propane Gas (Analog)	004817B 004818B	N/A N/A
4-J	Rocker Switch	009493F	009493F

*FOR ALTITUDES ABOVE 2,000 FEET ABOVE SEA LEVEL, CONSULT THE FACTORY.

** **WARNING:** The Hydraulic conditions or water chemistry that caused the tube bundle to fail have very likely also damaged the bypass valve. We recommend you inspect the bypass assembly. Failure to do so could cause premature failure of this replacement part.

CALL OUT	DESCRIPTION	106A	156A
M	MISCELLANEOUS COMPONENTS		
1-M	Pressure Switch 1.75 PSI	006737F	006737F
	Pressure Switch 11 PSI Special-See Adj in Service Manual	009133F	009133F
2-M	Thermostat Knob	009499F	009499F
3-M	Knob Stop	006886F	006886F
4-M	Dial Plate (Analog)	014912F	N/A
5-M	PRV 125 PSI (Optional)	008091F	008091F
6-M	Delimiting Kit (not shown)	052871F	052871F
7-M	Wire Harness Analog (not shown)	014884F	N/A
	Wire Harness Digital (not shown)	N/A	014885F
8-M	Control Bezel Digital (Includes Switch Decal)	N/A	014886F
9-M	Switch/Decal-Membrane	N/A	014887F
10-M	Control Bezel Cover	N/A	014888F
11-M	Line Cord	011609F	011609F
12-M	Roll-Out Safety Switch	005899F	005899F
13-M	Touch-up Paint		
	Cool Dark Gray	750256	750256
	Warm Dark Gray	750258	750258
P	PILOT		
1-P	Pilot Nat.	002003F	002003F
	Pilot Pro.	002003F	002003F
2-P	Pilot Orifice Nat.	003903F	003903F
	Pilot Orifice Pro.	004308F	004308F
3-P	Pilot Mounting Bracket	014889F	014889F
4-P	Pilot Tube	004078F	004078F
5-P	Hi Tension Wire w/Pilot Electrode	007864F	007864F
R	REFRACTORY		
1-R	Refractory Kit	014890F	014891F
S	SHEETMETAL		
1-S	Jacket Top	014892F	014893F
2-S	Jacket Left	014894F	014895F
3-S	Jacket Right	014896F	014897F
4-S	Jacket Upper Front	014898F	014898F
5-S	Jacket Lower Rear	014899F	014899F
6-S	Flue Collector	014900F	014901F
7-S	Door Panel		
	Raypak	014902F	014902F
	Rheem	014903F	014903F
	Ruud	014902F	014902F
8-S	Access Panels	014904F	014904F
9-S	Control Panel		
	Analog	014905F	N/A
	Digital	N/A	014906F
10-S	Control Cover		
	Analog	014778	N/A
	Digital	N/A	N/A
V	VENTING		
1-V	Stackless Top (Outdoor)	014907F	014908F
2-V	Access Panel (Hot)	014909F	014909F
3-V	Draffhood w/Adapter (Indoor)	014357	014358
	Outdoor Stack w/Adapter (Outdoor)	014718	014719
4-V	Stack	N/A	N/A
5-V	Stack Adapter	014910F	014911F
CONVERSION KITS**		106A	156A
For Altitudes Over 2,000 Feet Above Sea Level, Consult Factory.			
Natural to Propane		014914F	014915F
Propane to Natural		014918F	014919F

**** Gas Conversions are to be done only by a qualified agency.**



Registered Quality Management System

www.raypak.com