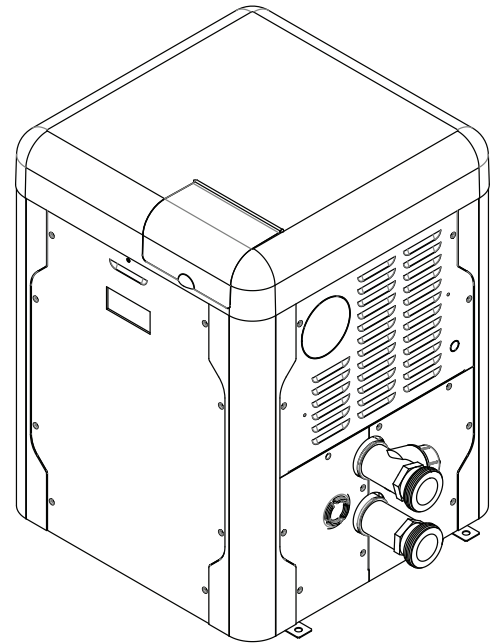


INSTALLATION AND OPERATION MANUAL



Gas-Fired Pool and Spa Heater Models 264 and 404



NOTICE

SCAN WITH QR EQUIPPED SMART
DEVICE FOR ONLINE MANUAL.
SEE PAGE 94 FOR QR CODE.



WARNING: If the information is not followed exactly, a fire or explosion may result causing property damage, personal injury or death.

- Do not store or use gasoline or other flammable vapors and liquids or other combustible materials in the vicinity of this or any other appliance. To do so may result in an explosion or fire.
- WHAT TO DO IF YOU SMELL GAS
 - Do not try to light any appliance.
 - Do not touch any electrical switch; do not use any phone in your building.
 - Immediately call your gas supplier from a neighbor's phone. Follow the gas supplier's instructions.
 - If you cannot reach your gas supplier, call the fire department.
- Installation and service must be performed by a qualified installer, service agency or the gas supplier.

This manual should be maintained in legible condition and kept adjacent to the heater or in a safe place for future reference.



Effective: 04-28-23
Replaces: 11-15-22
P/N: 100-10000111 Rev. 05

⚠️ AVERTISSEMENT: Assurez-vous de bien suivre les instructions données dans cette notice pour réduire au minimum le risque d'incendie ou d'explosion ou pour éviter tout dommage matériel, toute blessure ou la mort.

Ne pas entreposer ni utiliser d'essence ou ni d'autres vapeurs ou liquides inflammables à proximité de cet appareil ou de tout autre appareil.

QUE FAIRE SI VOUS SENTEZ UNE ODEUR DE GAZ:

- Ne pas tenter d'allumer d'appareil.
- Ne touchez à aucun interrupteur; ne pas vous servir des téléphones se trouvant dans la bâtiment.
- Appelez immédiatement votre fournisseur de gaz depuis un voisin. Suivre les instructions du fournisseur.
- Si vous ne pouvez rejoindre le fournisseur, appelez le service des incendies.

L'installation et l'entretien doivent être assurés par un installateur qualifié ou par le fournisseur de gaz.

QUICK START GUIDE

CLEARANCES

- Space required: See pages **7-9**.
- Minimum and service clearances: See page **7** for clearances table. Note that local codes prevail.

PIPING

- Pressure relief valve: See page **21** for recommended PRV orientation.
- Flow rates: See page **19**.

GAS

- Distance to regulator (pipe lengths) and gas inlet sizes: See page **19**.
- Required pressure for Natural Gas:
Min = 3.5" WC (Dynamic), Max = 10.5" WC (Static)
- Required pressure for Propane Gas:
Min = 8.0" WC (Dynamic), Max = 13" WC (Static)
- Sediment trap is required for all installations:
See page **18**.

WATER CHEMISTRY

- Water chemistry requirements: See page **5**.

POWER

- Supply voltage: See page **24** for acceptable input voltages.

VENTING

- Materials: See pages **13, 15** and **16**.

CONTROLS INTERFACE

- Controls Wiring diagram: See page **26**.
- User interface: See page **27**.
- Remote operation: See page **36**.

Revision 5 reflects the following changes: Warranty removed from manual. Global warranty (100-10000378) replaces the old warranty. Added "Gas Regulator Best Practices" to page 19. Added "or Z-Flex 2SVSNA04.5" to note in Table H. Removed "Level 0 through Level 2 Flow" call outs for item 7-H in IPL.

TABLE OF CONTENTS

1. WARNINGS	4	Status and Diagnostics	34
Pay Attention to These Terms	4	Remote Mode Selector - Installation and Operation	36
General Safety	5	Time Clock/Fireman's Switch	38
2. WATER CHEMISTRY	5	8. OPERATING INSTRUCTIONS	44
Automatic Chlorinators and Chemical Feeders.....	5	Before Start-Up	44
3. BEFORE INSTALLATION	6	Start-Up Procedures	44
Receiving equipment.....	6	9. MAINTENANCE AND CARE	47
Rating and certifications.....	6	Cold Weather Operation	47
Elevation	6	10. TROUBLESHOOTING	48
Required Power Supply	6	Operation and Troubleshooting - Flow Chart	49
Ambient Temperature Rating	6	Control Logic - Flow Chart	50
4. INSTALLATION	6	11. CONNECT TO WI-FI WITH RAYMOTE	51
Installation Codes	7	Preparing the Unit for Connection.....	52
Clearances	7	Add a New Heater to Raymote	52
Outdoor Heater Installation	7	For iPhone 6 and Earlier Versions	56
Combustion and Ventilation Air	10	AVIA Heater Setup	58
Direct Vent and Ducted Combustion Air Systems..	10	12. RAYMOTE MOBILE APP	58
Venting	13	User and Organization Settings	58
Gas Supply Connections.....	18	Help and Tech Support	61
Flow Rates	19	Main View.....	62
ProTek Shield Assembly.....	20	Automation.....	63
Unitherm Governor Operation.....	20	Pool-Spa Mode Screen.....	65
Internal Automatic Bypass Valve.....	21	Accessories Screen	67
External Auxiliary Bypass Valve	21	Reset Wi-Fi Credentials	68
Auxiliary Bypass Valve Adjustment	21	Reconnect to Wi-Fi.....	68
Pressure Relief Valve Installation.....	21	Add a New User to your Organization.....	73
Plumbing Diagram.....	23	Client Accounts: Invite a Contractor	75
Water/Flue Connection Reversal	24	Partner Accounts: Invite New Clients	77
5. ELECTRICAL WIRING	24	Switch to other Organizations	79
Electrical Power Draw	24	Connectivity Troubleshooting.....	80
Transformer Wiring	25	13. AUXILIARY CONTROL OUTPUT	81
6. CONTROLS WIRING DIAGRAM	26	14. REPLACEMENT PARTS	83
7. CONTROLS	27	15. ILLUSTRATED PARTS LIST	84
Heater Top Removal	27	16. IMPORTANT INSTRUCTIONS FOR THE COMMONWEALTH OF MASSACHUSETTS ...	93
Control Adjustments	27	17. QR CODES	94
Operation	28		
Service Menus	28		
Program Menu	31		
Control Lockout.....	34		

1. WARNINGS

Pay Attention to These Terms

▲ DANGER	Indicates the presence of immediate hazards which will cause severe personal injury, death or substantial property damage if ignored.
▲ WARNING	Indicates the presence of hazards or unsafe practices which could cause severe personal injury, death or substantial property damage if ignored.
▲ CAUTION	Indicates the presence of hazards or unsafe practices which could cause minor personal injury or product or property damage if ignored.
CAUTION	CAUTION used without the warning alert symbol indicates a potentially hazardous condition which could cause minor personal injury or product or property damage if ignored.
NOTE	Indicates special instructions on installation, operation, or maintenance which are important but not related to personal injury hazards.

▲ WARNING: To minimize the possibility of improper operation, serious personal injury, fire, or damage to the heater:

- Always keep the area around the heater free of combustible materials, gasoline, and other flammable liquids and vapors.
- Heater should never be covered or have any blockage to the flow of fresh air to the heater.

▲ WARNING: Gasoline, as well as other flammable materials and liquids (adhesives, solvents, etc.), and the vapors they produce, are extremely dangerous. Do not handle, use, or store gasoline or other flammable or combustible materials in the vicinity of a heater.

▲ WARNING: This unit contains refractory ceramic fiber (RCF) insulation in the combustion chamber. RCF, as manufactured, does not contain respirable crystalline silica. However, following sustained exposure to very high temperatures [greater than 2192°F (1200°C), the RCF can transform into crystalline silica (cristabolite). The International Agency for Research on Cancer (IARC) has classified the inhalation of crystalline silica (cristabolite) as carcinogenic to humans.

When removing the burner or heat exchanger, take precautions to avoid creating airborne dust and avoid inhaling airborne fibers. When cleaning spills, use wet sweeping or High Efficiency Particulate Air (HEPA) filtered vacuum to minimize airborne dust. Use feasible engineering controls such as local exhaust ventilation or dust collecting systems to minimize airborne dust. Wear appropriate personal protective equipment including gloves, safety glasses with side shields, and appropriate NIOSH-certified respiratory protection, to avoid inhalation of airborne dust and airborne fiber particles.

▲ WARNING: Both natural gas and propane have an odorant added to aid in detecting a gas leak. Some people may not physically be able to smell or recognize this odorant. If you are unsure or unfamiliar with the smell of natural gas or propane, ask your local gas supplier. Other conditions, such as “odorant fade,” which causes the odorant to diminish in intensity, can also hide, camouflage, or otherwise make detecting a gas leak by smell more difficult.

▲ WARNING: UL-recognized fuel gas detectors are recommended in all enclosed propane and natural gas applications wherein there is a potential for an explosive mixture of fuel gas to accumulate and their installation should be in accordance with the detector manufacturer’s recommendations and/or local laws, rules, regulations, or customs.

▲ WARNING: Improper installation, adjustment, alteration, service, or maintenance can cause property damage, personal injury or loss of life. Installation and service must be performed by a qualified installer, service agency, or the gas supplier.

▲ WARNING: Do not install within 3 feet (0.9 m) of a heat pump or an outdoor condensing unit. Strong air intake from this type of equipment can disturb the combustion process and cause damage or personal injury.

▲ WARNING: The heater shall not be located in an area where water sprinklers, or other devices, may cause water to spray through the cabinet louvers and into the heater. This could cause internal rusting or damage electrical components, causing damage which will not be covered under warranty.

General Safety

Elevated water temperature can be hazardous. The U.S. Consumer Product Safety Commission has these guidelines:

1. Spa water temperatures should never exceed 104°F (40°C). A temperature of 100°F (38°C) is considered safe for a healthy adult. Special caution is suggested for young children.
2. Drinking of alcoholic beverages before or during spa or hot tub use can cause drowsiness which could lead to unconsciousness and subsequently result in drowning.
3. Pregnant Women Beware! Soaking in water over 102°F (39°C) can cause fetal damage during the first three months of pregnancy resulting in the birth of a brain-damaged or deformed child. Pregnant women should stick to the 100°F (38°C) maximum rule.
4. Before entering the spa or hot tub, users should check the water temperature with an accurate thermometer; spa or hot tub thermostats may err in regulating water temperatures by as much as 4°F (2.2°C).
5. Persons with a medical history of heart disease, circulatory problems, diabetes, or blood pressure problems should obtain a physician's advice before using spas or hot tubs.
6. Persons taking medications which induce drowsiness, such as tranquilizers, antihistamines, or anticoagulants, should not use spas or hot tubs.

2. WATER CHEMISTRY

NOTE: Corrosive water voids all warranties.

Chemical imbalance can cause severe damage to your heater and associated equipment. Maintain your water chemistry according to **Table A**. If the mineral content and dissolved solids in the water become too high, scale forms inside the heat exchanger tubes, reducing heater efficiency and damaging the heater. If the pH drops below 7.2, this will cause corrosion of the heat exchanger and severely damage the heater. **Heat exchanger damage resulting from chemical imbalance is not covered by the warranty.**

Recommended Level(s)	Fiberglass Pools	Fiberglass Spas	Other Pool and Spa Types
Water Temperature	68-88°F (20-31°C)	89-104°F (31-40°C)	68-104°F (20-40°C)
pH	7.3-7.4	7.3-7.4	7.6-7.8
Total Alkalinity (ppm)	120-150	120-150	80-120
Calcium Hardness (ppm)	200-300	150-200	200-400
Salt (ppm)	4500 Maximum	4500 Maximum	4500 Maximum
Free Chlorine (ppm)*	2-3	2-3	2-3
Total Dissolved Solids (ppm)	3000 Maximum**	3000 Maximum**	3000 Maximum**

*Free Chlorine **MUST NOT EXCEED 5 ppm!**

**In saltwater chlorinated pools, the Total Dissolved Solids (TDS) can be as high as 6000 ppm.

Table A. Pool Water Chemistry

For your health and the protection of your pool equipment, it is essential that your water be chemically balanced. The following levels must be used as a guide for balanced water.

▲ CAUTION: Free chlorine must not exceed 5 ppm which can damage the heater and is not covered under warranty.

- Occasional chemical shock dosing of the pool or spa water should not damage the heater providing the water is balanced.
- Automatic chemical dosing devices and salt chlorinators are usually more efficient in heated water, unless controlled, they can lead to excessive chlorine level which can damage your heater.
- Check valve should be installed between the heater outlet and a chlorinator or other chemical dosing device.
- Further advice should be obtained from your pool or spa builder, accredited pool shop, or chemical supplier for the correct levels for your water.

Automatic Chlorinators and Chemical Feeders

All chemicals must be introduced and completely diluted into the pool or spa water before being circulated through the heater. Do not place sanitizing chemicals in the skimmer. High chemical concentrations will result when the pump is not running (e.g. overnight).

Chlorinators must feed downstream of the heater and have an anti-siphoning device/check valve to prevent chemical backup into the heater when the pump is shut off. See **"Plumbing Diagram"** on page 23.

NOTE: High chemical concentrates from feeders and chlorinators that are out of adjustment will cause rapid corrosion to the heat exchanger. Such damage is not covered under the warranty.

3. BEFORE INSTALLATION

Receiving Equipment

The manufacturer recommends that this manual be reviewed thoroughly before installing the pool/spa heater. If there are any questions that this manual does not answer, please contact the factory or your local representative.

On receipt of your equipment it is suggested that you visually check for external damage to the carton. If the carton is damaged, a note should be made on the Bill of Lading when signing for the equipment. Remove the heater from the carton. If it is damaged, report the damage to the carrier immediately. Save the carton.

These items are shipped inside a box in the carton with the heater:

Standard Unit

1. (2) 2" CPVC Tailpiece
2. (2) 2" CPVC Ring Nut
3. (2) O-rings
4. (1) 120V Blower Adapter
5. (1) 3-Wire Remote Harness
6. (1) Auxiliary Harness / Terminal
7. (1) Raymote Quick Start Guide

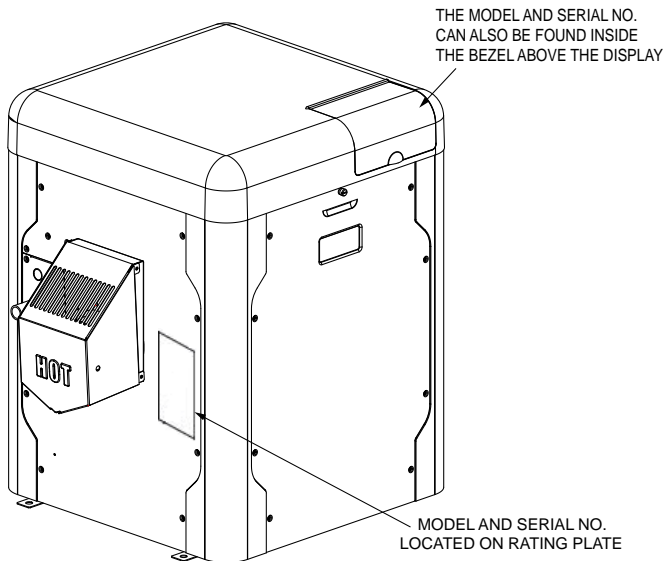


Figure 1. Rating Plate Location

Be sure that you receive the number of packages indicated on the Bill of Lading.

Rating and Certifications

These heaters are design-certified and tested under the latest requirements of the ANSI Z21.56 / CSA 4.7 Standard for Gas-Fired Pool Heaters. This product is also certified to SCAQMD 1146.2 and SJVAPCD Rule 4308. All heaters can be used either indoors or outdoors when appropriate venting is installed. See section "Venting" on page 13 for details. The appropriate vent cover designated for each type of use is required.

Elevation

NOTE: This product is approved up to 4,500 ft of elevation per CAN/CGA-2.17-M91.

Rated inputs are suitable for up to 4,500 feet (1371 m) elevation. Approved up 10,000 ft for natural gas; Liquid Propane approved to 4501-7800 ft using kit 018762F.

Required Power Supply

Requires 240VAC (factory default) or 120VAC, 1 Ph, 60 Hz Power Supply. Do not operate on 50 Hz power supply.

Ambient Temperature Rating

Heater Component Temperature Ratings

-32°F to 175°F (-35°C to 79°C).

4. INSTALLATION

▲WARNING: This unit contains refractory ceramic fiber (RCF) insulation in the combustion chamber. RCF, as manufactured, does not contain respirable crystalline silica. However, following sustained exposure to very high temperatures >2192°F (1200°C), the RCF can transform into crystalline silica (cristabolite). The International Agency for Research on Cancer (IARC) has classified the inhalation of crystalline silica (cristabolite) as carcinogenic to humans.

When removing the burner or heat exchanger, take precautions to avoid creating airborne dust and avoid inhaling airborne fibers. When cleaning spills, use wet sweeping or High Efficiency Particulate Air (HEPA) filtered vacuum to minimize airborne dust. Use feasible engineering controls such as local exhaust ventilation or dust collecting systems to minimize airborne dust. Wear appropriate personal protective equipment including gloves, safety glasses with side shields, and appropriate NIOSH-certified respiratory protection, to avoid inhalation of airborne dust and airborne fiber particles.

IMPORTANT NOTICE: These instructions are intended only for the use by qualified personnel, specifically trained and experienced in the installation of this type of heating equipment and related system components. Installation and service personnel may be required by some states to be licensed. If your state is such, be sure your contractor bears the appropriate license. Persons not qualified shall not attempt to fix the equipment nor attempt repairs according to these instructions.

⚠ WARNING: Improper installation, adjustment, alteration, service or maintenance may damage the equipment, create a hazard resulting in asphyxiation, explosion or fire, cause damage which will not be covered under warranty.

Installation Codes

Installation must be in accordance with local codes, or, in the absence of local codes, with the latest edition of the National Fuel Gas Code, ANSI Z223.1/NFPA54 and National Electrical Code, ANSI/NFPA 70, and for Canada, the latest edition of CAN/CSA-B149 Installation Codes, and Canadian Electrical Code, CSA C22.1 Part 1 and Part 2.

⚠ AVERTISSEMENT: Cet appareil doit être installé conformément au National Fuel gas Code ANSI Z223.1, et aux exigences de l'autorité compétente.

Clearances

All Heaters

For indoor and outdoor clearances from combustible surfaces see Table B below.

Location	Indoor Installation
Top	Unobstructed
Front	0"
Floor	0"
Back	0"
Right Side	3" (76 mm) from Panel - Water Side
Left Side	3" (76 mm) from Panel - Vented Side

Location	Outdoor Installation
Top	Unobstructed
Front	0"
Floor	0"
Back	0"
Right Side	3" (76 mm) from Panel - Water Side
Left Side	6" (152 mm) from Vent Cap

Table B. Minimum Clearances from Combustible Surfaces

For ease of servicing, we recommend a clearance of at least 24" (610 mm) for both the left and right side, and also the top. This will enable the heater to be serviced in its installed location, that is, without needing to move the header.

Clearances less than these may require removal of the heater to service either the heat exchanger or the burner. In either case, the heater must be installed in a manner that will enable the heater to be serviced without removing any structure around the heater.

Flooring

This heater can be installed on combustible flooring.

Outdoor Heater Installation

These heaters are design-certified for outdoor installation, when equipped with the approved vent cover designated for outdoor use.

⚠ WARNING: The heater shall not be located in an area where water sprinklers, or other devices, may cause water to spray through the cabinet louvers and into the heater. This could cause internal rusting or damage electrical components, and void the warranty.

⚠ WARNING: Do not install within 3' (0.9 m) of a heat pump or an outdoor condensing unit. Strong air intake from this type of equipment can disturb the combustion process and cause damage or personal injury.

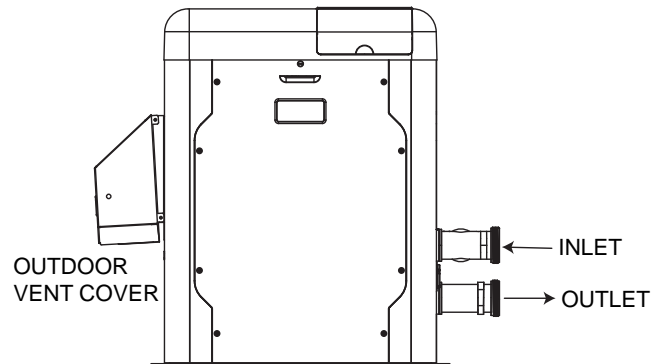
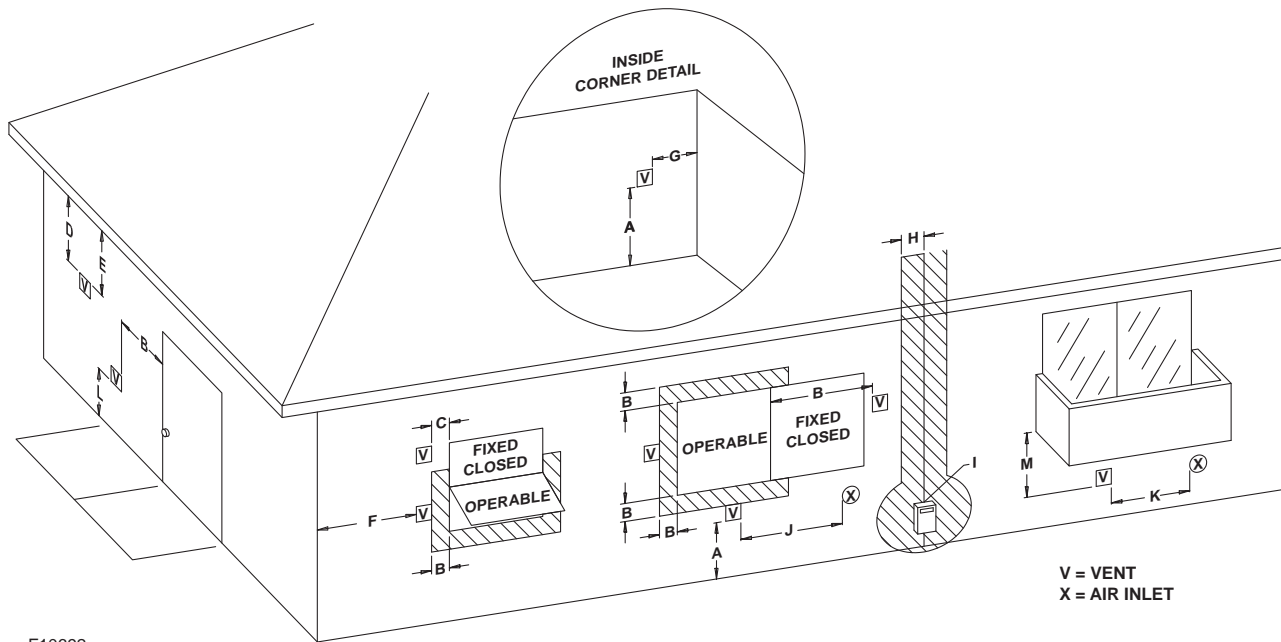


Figure 2. Front View Of Cabinet Vent/Air Inlet Termination Clearances



F10692

Figure 3. Minimum Clearances from Vent/Air Inlet Terminations – Indoor and Outdoor Installations

		U.S. Installations¹	Canadian Installations²
A	Clearance above grade, veranda, porch, deck, or balcony	1' (30 cm)	1' (30 cm)
B	Clearance to window or door that may be opened	4' (1.2 m) below or to side of opening	3' (91 cm)
C	Clearance to permanently closed window	*	*
D	Vertical clearance to ventilated soffit located above the terminal within a horizontal distance of 2' (61 cm) from the centerline of the terminal	5' (1.5 m)	*
E	Clearance to unventilated soffit	*	*
F	Clearance to outside corner	*	*
G	Clearance to inside corner	6' (1.83 m)	*
H	Clearance to each side of center line extended above meter/regulator assembly	*	3' (91 cm) within a height 15' (4.5 m) above the meter/regulator assembly
I	Clearance to service regulator vent outlet	*	6' (1.83 m)
J	Clearance to non-mechanical air supply inlet to building or the combustion air inlet to any other appliance	4' (1.2 m) below or to side of opening; 1' (30 cm) above opening	3' (91 cm)
K	Clearance to mechanical air supply inlet	3' (91 cm) above if within 10' (3 m) horizontally	6' (1.83 m)
L	Do not terminate above paved sidewalk or paved driveway	Slip hazard due to frozen condensate	Slip hazard due to frozen condensate
M	Clearance under veranda, porch, deck or balcony	*	1' (30 cm) ^t

¹ In accordance with the current ANSI Z223.1/NFPA 54 National Fuel Gas Code.

² In accordance with the current CAN/CSA-B149 Installation Codes.

^t Permitted only if veranda, porch, deck, or balcony is fully open on a minimum of two sides beneath the floor and top of terminal, and underside of veranda, porch, deck or balcony is greater than 1' (30 cm).

* Clearances in accordance with local installation codes and the requirements of the gas supplier.

Table C. Vent/Air Inlet Termination Clearances

Description	Location	Distance in. (mm)
a. 3-1/2" (89 mm) thick masonry walls without ventilated air space	Back	9 (229)
	Right	9 (229)
	Left	9 (229)
	Vent	5 (127)
	Indoor Top	39 (991)
b. 1/2" (13 mm) insulation board over 1" (25 mm) glass fiber or mineral wool batts	Back	6 (152)
	Right	6 (152)
	Left	6 (152)
	Vent	3 (76)
	Indoor Top	30 (762)
c. 0.024 sheet metal over 1" (25 mm) glass fiber or mineral wool batts reinforced with wire on rear face with ventilated air space	Back	4 (102)
	Right	4 (102)
	Left	4 (102)
	Vent	3 (76)
	Indoor Top	24 (610)
d. 3-1/2" (89 mm) thick masonry wall with ventilated air space	Back	6 (152)
	Right	6 (152)
	Left	6 (152)
	Vent	6 (152)
	Indoor Top	39 (991)
e. 0.024 sheet metal with ventilated air space	Back	4 (102)
	Right	4 (102)
	Left	4 (102)
	Vent	2 (51)
	Indoor Top	24 (610)
f. 1/2" (13 mm) thick insulation board with ventilated air space	Back	4 (102)
	Right	4 (102)
	Left	4 (102)
	Vent	3 (76)
	Indoor Top	24 (610)
g. 0.024 sheet metal with ventilated air space over 0.024 sheet metal with ventilated air space.	Back	4 (102)
	Right	4 (102)
	Left	4 (102)
	Vent	3 (76)
	Indoor Top	24 (610)
h. 1" (25 mm) glass fiber or mineral wool batts sandwiched between two sheets 0.024 sheet metal with ventilated air space	Back	4 (102)
	Right	4 (102)
	Left	4 (102)
	Vent	3 (76)
	Indoor Top	24 (610)
	Outdoor Top	Unobstructed

Derived from National Fuel Gas Code, Table 10.2.3

Table D. Reduction of Clearances to Protected Surfaces

Heaters must not be installed under an overhang of less than three 3' (0.9 m) from the top of the heater. Three sides must be open in the area under the overhang. Roof water drainage must be diverted away from the heaters installed under overhangs with the use of gutters.

For U.S. installations, the point from where the flue products exit the heater must be a minimum of 4' (1.2 m) below, 4' (1.2 m) horizontally from, or 1' (0.3 m) above any door, window or gravity inlet into any building. The top surface of the heater shall be at least 3' (0.9 m) above any forced air inlet, or intake ducts located within 10' (3 m) horizontally.

For Canadian installations, pool heaters shall not be installed with the top of the vent assembly within 10' (3 m) below, or to either side, of any opening into the building. Refer to the latest revisions of CAN/CSA-B149.

A minimum of 6' (1.8 m) is required from the heater to an inside corner wall for proper outdoor venting.

For installations in Florida and Texas, that must comply with the Florida or Texas Building Code, follow the directions shown in **Figure 5** for the installation of hurricane tie-down brackets for all models.

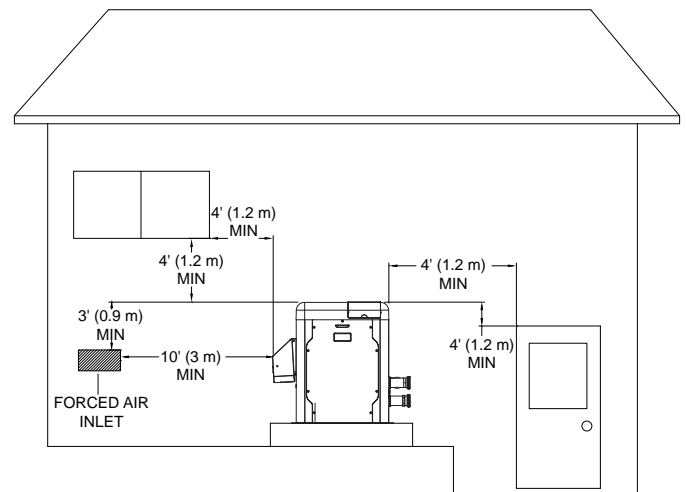


Figure 4. Clearances

Indoor Heater Installation

For Canada, indoor installation is restricted to an enclosure that is not occupied and does not directly communicate with an occupied area. Refer to the latest edition of CAN/CSA-B149 for specific requirements. Locate heater as close as is practical to a chimney or gas vent. Heater must always be vented to the outside. See "**Venting**" section on **page 13** for details. Minimum allowable space is shown on the nameplate.

Combustion and Ventilation Air

Indoor Units Only

The heater must have both combustion and ventilation air. The minimum requirements are listed in the latest edition of the National Fuel Gas Code (U.S. ANSI Z223.1 or Canada CAN/CSA-B149) and any local codes that may have jurisdiction. The most common approach is the “2-opening” method, with combustion air opening no more than 12" (305 mm) from the floor and the ventilation opening no more than 12" (305 mm) from the ceiling. For opening sizes using this method, see below.

All Air from Inside the Building:

Each opening shall have a minimum net free area as noted:

Model	Sq. in. (m ²)
264	264 (0.17)
404	399 (0.26)

Table E. Opening Minimum Net Free Requirements - Indoor Air

All Air from Outdoors:

When air is supplied directly from outside the building, each opening shall have a minimum net free area as noted:

Model	Unrestricted Opening sq. in. (m ²)	Typical Screened or Louvered Opening sq. in. (m ²)	Typical Screened and Louvered Opening sq. in. (m ²)
264	66 (0.04)	99 (0.06)	132 (0.09)
404	100 (0.06)	150 (0.1)	200 (0.13)

Table F. Opening Minimum Net Free Requirements - Outdoor Air

⚠ CAUTION: Combustion air must not be contaminated by corrosive chemical fumes which can damage the heater. Such damage will not be covered by the warranty

Direct Vent and Ducted Combustion Air Systems

If outside air is drawn through the intake pipe directly to the unit for combustion:

1. Connect combustion air to the heater by removing the screened cap on the air intake port, and sealing the combustion air duct to the existing PVC adapter. Glue or attach screws to fasten. The existing screen should be re-used at the intake end of the duct. Install the combustion air duct in accordance with **Figure 11** or **Figure 12** of this manual.
2. Provide adequate ventilation of the space occupied by the heater(s) by an opening(s) for ventilation air at the highest practical point communicating with the outdoors.
 - A. In the US, the total cross-sectional area shall be at least 1 in.² of free area per 20,000 BTUH (111 mm² per kW) of total input rating of all equipment in the room when the opening is communicating directly with the outdoors or through vertical duct(s). The total cross-sectional area shall be at least 1 in.² of free area per 10,000 BTUH (222 mm² per kW) of total input rating of all equipment in the room when the opening is communicating with the outdoors through horizontal duct(s).
 - B. In Canada, there shall be permanent air supply opening(s) having a total cross-sectional area of not less than 1 in.² of free area per 30,000 BTUH (70 mm² per kW) of the total rated input. The location of the opening(s) shall not interfere with the intended purpose of the opening(s) for the ventilation air.
3. In cold climates, and to mitigate potential freeze-up, Raypak highly recommends the installation of a motorized sealed damper to prevent the circulation of cold air through the heater during the non-operating hours.

**Florida and Texas Building Code:
Wind Speed = 180 mph 3-sec. gust
Exposure = C**

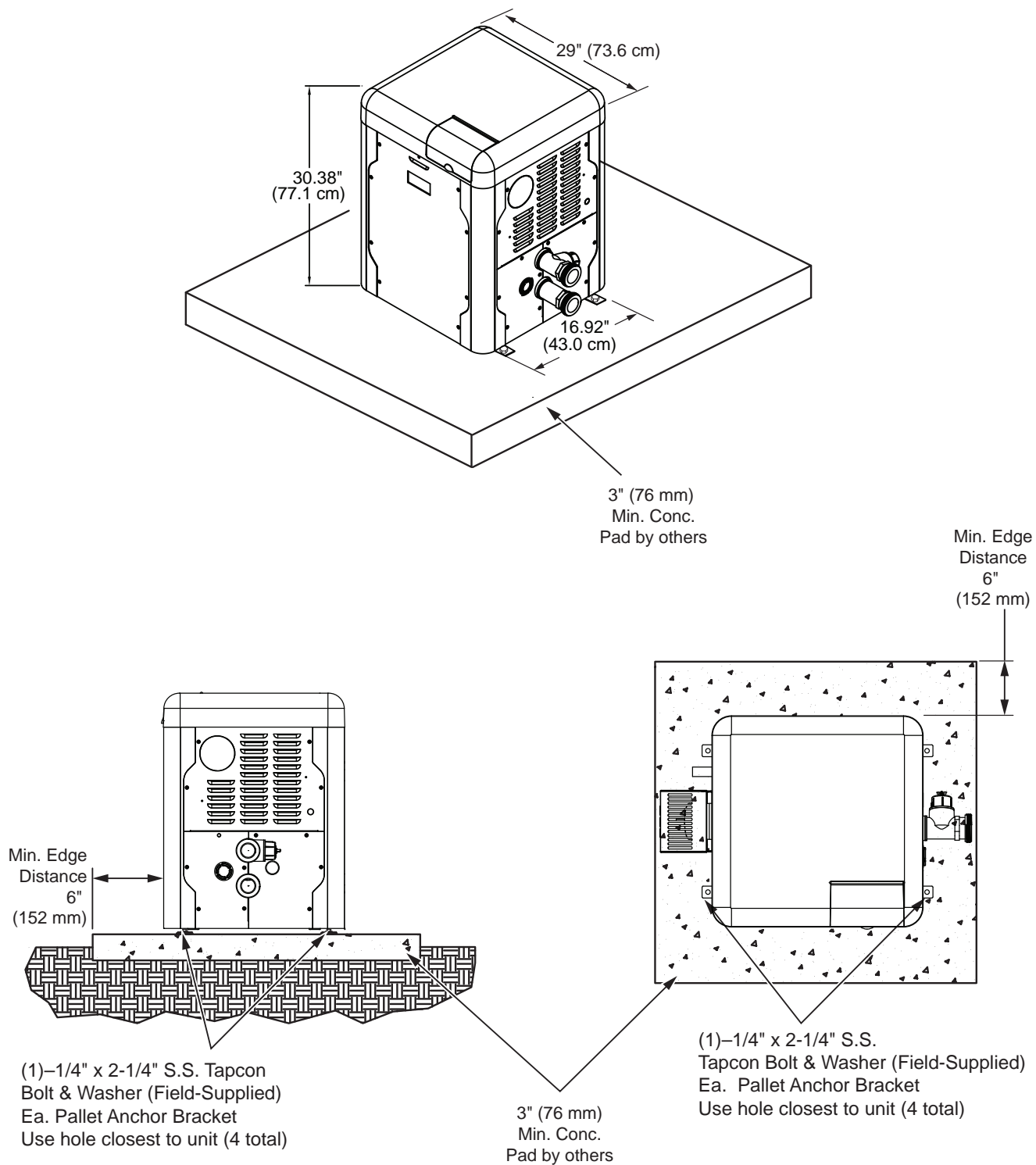


Figure 5. Hurricane Tie-Down Bracket Installation

Specifications and Dimensions

Amp Draw	
120 VAC, 1 Ph, 60 Hz	240 VAC, 1 Ph, 60 Hz
1.6A	1.2A

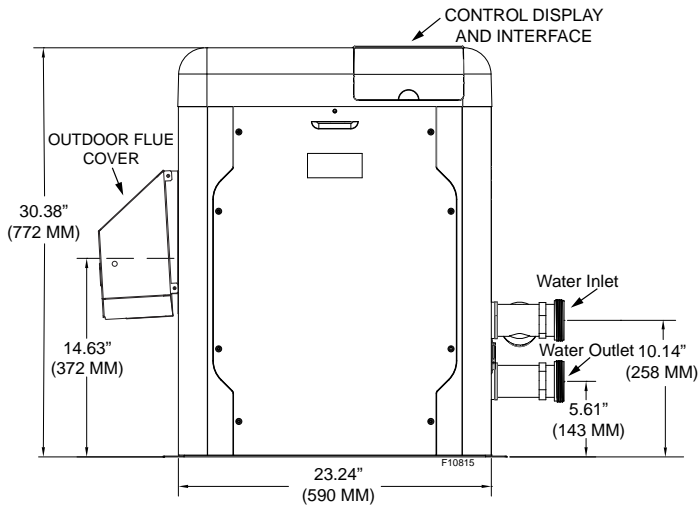


Figure 6. Front View

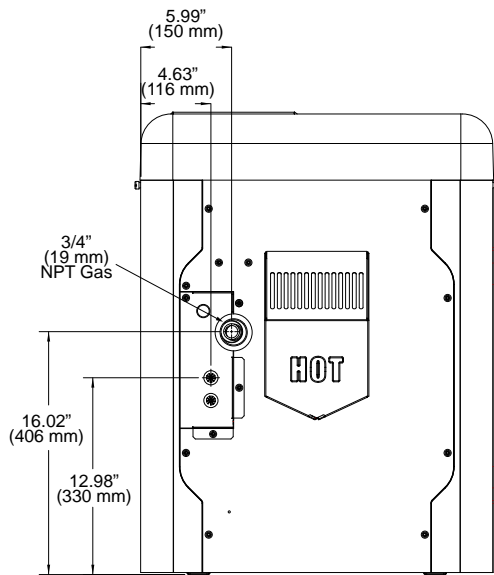


Figure 7. Left View with Gas & Power Connection Distances

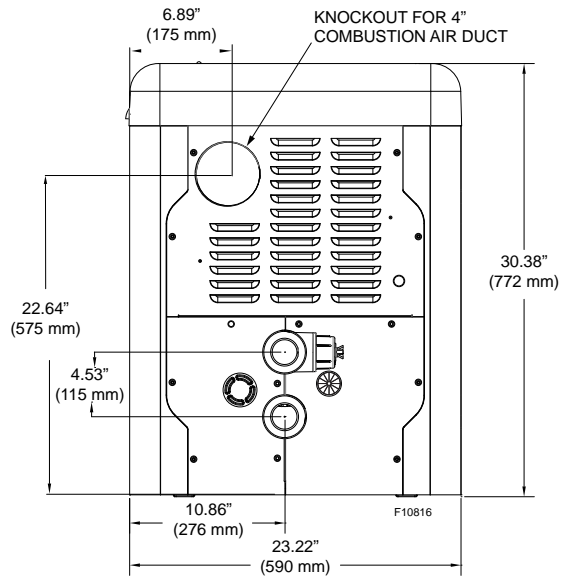


Figure 8. Right View

WARNING: The Commonwealth of Massachusetts requires that sidewall-vented heaters, installed in every dwelling, building or structure used in whole or in part for residential purposes, be installed using special provisions as outlined on page 93 of this manual.

Model No.	BTUH Input (kw)	Flue Dia. in. (mm)	Water Conn. in. (mm)	Shipping Weights - lbs (kg)
				Standard Heater
264	264 (77.4)	4 (101.6)	2 (51) Buttress	135 (61.2) +20 (9) Packing
404	399 (116.9)			

Table G. Heater Specifications and Dimensions

Venting

⚠ CAUTION: Proper installation of flue venting is critical for the safe and efficient operation of the pool heater.

NOTE: For additional information on appliance categorization, see the ANSI Z21.13 Standard and the NFGC (U.S.), or B149 (Canada), or applicable provisions of local building codes.

General

Appliance Categories

Heaters are divided into four categories based on the pressure produced in the exhaust and the likelihood of condensate production in the vent.

Category I – A heater which operates with a non-positive vent static pressure and with a vent gas temperature that avoids excessive condensate production in the vent.

Category II – A heater which operates with a non-positive vent static pressure and with a vent gas temperature that may cause excessive condensate production in the vent.

Category III – A heater which operates with a positive vent pressure and with a vent gas temperature that avoids excessive condensate production in the vent.

Category IV – A heater which operates with a positive vent pressure and with a vent gas temperature that may cause excessive condensate production in the vent.

See **Table H** for appliance category requirements.

⚠ WARNING: Contact the manufacturer of the vent material if there is any question about the appliance categorization and suitability of a vent material for application on a Category I vent system. Using improper venting materials can result in personal injury, death or property damage.

Description (Terminations)	Manufacturer	Manufacturer Model Number
Through-the-wall	Duravent	FSTB4
Horizontal Tee	Duravent	FSTT4
Horizontal Tee	Z-Flex	2SVSTTF04
Wall Thimble with Damper	Duravent	PRTFSWTT4
90-degree Elbow	Z-Flex	2SVSTEX0490
D15 - Vertical Horizontal Cap	Raypak	014289

Table I. Vent Terminations

Combustion Air Supply	Exhaust Configuration	Heater Venting Category	Certified Vent Materials	Combustion Air Inlet Material
From Inside Building	Vertical Venting	I Fan	B-Vent Equivalent	
	Horizontal Through-the-Wall Venting	III	UL 1738 Metallic Vent (such as AL29-4C)	
From Outside Building (Direct Vent or Ducted Combustion Air)	Vertical Venting with Ducted Combustion Air	I Fan	B-Vent Equivalent	Galvanized Steel, PVC, ABS, CPVC
	Vertical Direct Vent	III	UL 1738 Metallic Vent (such as AL29-4C)	
	Horizontal Direct Vent	III	UL 1738 Metallic Vent (such as AL29-4C)	

Note: For appliance adapter use Duravent FSAAU4 or Z-Flex 2SVSNA04.5

Table H. Venting Category Requirements

Support of Vent Stack

The weight of the vent stack or chimney must not rest on the heater vent connection. Support must be provided in compliance with applicable codes. The vent should also be installed to maintain proper clearances from combustible materials. Use insulated vent pipe spacers where the vent passes through combustible roofs and walls.

Vent Terminal Location

1. Condensate can freeze on the vent cap. Frozen condensate on the vent cap can result in a blocked flue condition.
2. Give special attention to the location of the vent termination to avoid possibility of property damage or personal injury.
3. Gases may form a white vapor plume in winter. The plume could obstruct a window view if the termination is installed near windows.
4. Prevailing winds, in combination with below-freezing temperatures, can cause freezing of condensate and water/ice build-up on buildings, plants or roofs.
5. The bottom of the vent terminal and the air intake shall be located at least 12 in. (305 mm) above grade, including normal snow line.
6. Un-insulated single-wall metal vent pipe shall not be used outdoors in cold climates for venting gas-fired equipment.
7. Through-the-wall vents for Category II and IV appliances and non-categorized condensing appliances shall not terminate over public walkways or over an area where condensate or vapor could create a nuisance or hazard or could be detrimental to the operation of regulators, relief valves, or other equipment. Where local experience indicates that condensate is a problem with Category I and III appliances, this provision shall also apply.
8. Locate and guard vent termination to prevent accidental contact by people or pets.
9. DO NOT terminate vent in window well, stairwell, alcove, courtyard or other recessed area.
10. DO NOT terminate above any door, window, or gravity air intake. Condensate can freeze, causing ice formations.
11. Locate or guard vent to prevent condensate from damaging exterior finishes. Use a rust-resistant sheet metal backing plate against brick or masonry surfaces.
12. DO NOT extend exposed vent pipe outside of building beyond the minimum distance required for the vent termination. Condensate could freeze and block the vent pipe.

U.S. Installations

Refer to the latest edition of the National Fuel Gas Code.

Vent termination requirements are as follows:

1. Vent must terminate at least 4 ft (1.2 m) below, 4 ft (1.2 m) horizontally from or 12 in. (305 mm) above any door, window or gravity air inlet to the building.
2. The vent must not be less than 7 ft (2.1 m) above grade when located adjacent to public walkways.
3. Terminate vent at least 3 ft (0.9 m) above any forced air inlet located within 10 ft (3.0 m).
4. Vent must terminate at least 4 ft (1.2 m) horizontally, and in no case above or below, unless a 4 ft (1.2 m) horizontal distance is maintained from electric meters, gas meters, regulators, and relief equipment.
5. Terminate vent at least 6 ft (1.8 m) away from adjacent walls.
6. DO NOT terminate vent closer than 5 ft (1.5 m) below roof overhang.
7. The vent terminal requires a 12 in. (305 mm) vent terminal clearance from the wall.
8. Terminate vent at least 12 in. (305 mm) above grade, including normal snow line.
9. Multiple direct vent installations require a 4 ft (1.2 m) clearance between the ends of vent caps located on the same horizontal plane.

Canadian Installations

Refer to latest edition of the B149 Installation code.

A vent shall not terminate:

1. Directly above a paved sidewalk or driveway which is located between two single-family dwellings and serves both dwellings.
2. Less than 7 ft (2.13 m) above a paved sidewalk or paved driveway located on public property.
3. Within 6 ft (1.8 m) of a mechanical air supply inlet to any building.
4. Above a meter/regulator assembly within 3 ft (915 mm) horizontally of the vertical centerline of the regulator.
5. Within 3 ft (0.9 m) of any gas service regulator vent outlet.
6. Less than 12 in. (305 mm) above grade level.
7. Within the 3 ft (915 mm) of a window or door which can be opened in any building, any non-mechanical air supply inlet to any building or the combustion air inlet of any other appliance.
8. Underneath a veranda, porch or deck, unless the veranda, porch or deck is fully open on a minimum of two sides beneath the floor, and the distance between the top of the vent termination and the underside of the veranda, porch or deck.

Venting Installation Tips

Support piping:

- horizontal runs—at least every 5 ft (1.5 m)
- vertical runs—use braces
- under or near elbows

Venting Configurations

For heaters connected to gas vents or chimneys, vent installations shall be in accordance with the NFGC (U.S.), or B149 (Canada), or applicable provisions of local building codes.

Vertical Venting (Category I) Fan-Assisted

Installation

Natural draft venting uses the natural tendency of the heated flue gases to rise, until they are expelled from the top of the flue. The negative draft must be within the range of $-.01$ to $-.08$ in. WC as measured 12 in. (305 mm) above the appliance flue outlet to ensure proper operation. Vent material must be listed by a nationally recognized test agency.

Double-wall Type B vent must be used to promote draft and to minimize condensation in the vent.

No drafthood is required or offered. A single-acting barometric damper is required if the height exceeds 25 feet (7.6 m).

The connection from the appliance vent to the stack must be as direct as possible. The horizontal breaching of a vent must have an upward slope of not less than $1/4$ inch per linear foot from the heater to the vent terminal. The horizontal portions of the vent shall also be supported for the design and weight of the material employed to maintain clearances and to prevent physical damage or separation of joints.

Termination

The vent terminal should be vertical and should terminate outside the building at least 2 ft (0.6 m) above the highest point of the roof that is within 8 ft (2.4 m). The vent cap should have a minimum clearance of 4 ft (1.2 m) horizontally from and in no case above or below electric meters, gas meters, regulators and relief equipment, unless a 4 ft (1.2 m) horizontal distance is maintained. The distance of the vent terminal from adjacent public walkways, adjacent buildings, open windows and building openings must be consistent with the NFGC (U.S.) or B149 (Canada). Gas vents supported only by flashing and extended above the roof more than 5 ft (1.5 m) should be securely guyed or braced to withstand snow and wind loads.

For factory approved vent termination caps, refer to the Illustrated Parts List (IPL) section of this manual. See page 84.

CAUTION: A listed vent cap terminal adequately sized, must be used to evacuate the flue products from the building.

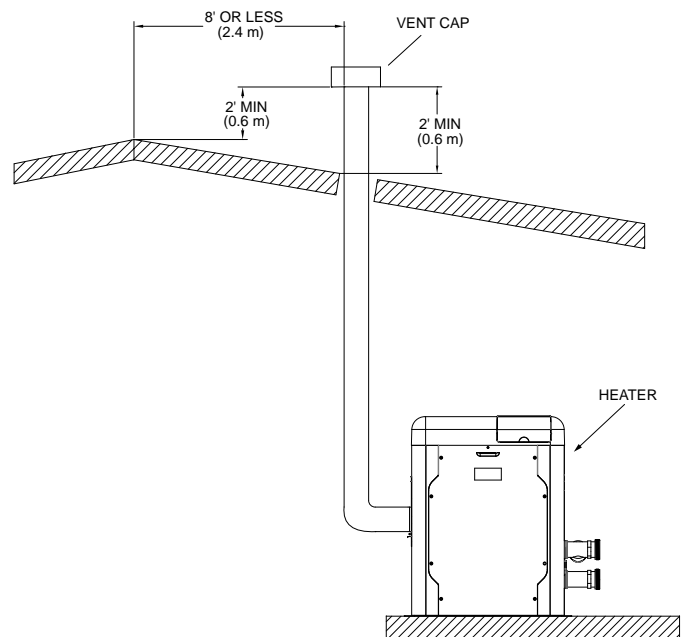


Figure 9. Vertical Venting

Model No.	Certified Vent Material	Vent Size in. (mm)	Vertical Vent Height ft (m)*	
			Min.	Max.
264/404	Category I (Type B Equivalent) Fan-Assisted	4 (101.6)	5 (1.5)	25 (7.6)

Vent lengths are based on a lateral length of 2 ft (0.6 m). Refer to the latest edition of the NFGC for further details. When vertical height exceeds 25 ft (7.6 m), consult factory prior to installation.

*Subtract 12 ft (3.6 m) per elbow.

Table J. Category I Vertical Venting

Horizontal Through-the-Wall Venting (Category III)

Installation

These installations utilize the heater's internal blower to vent the combustion products to the outdoors. Combustion air is taken from inside the room and the vent is installed horizontally through the wall to the outdoors. Adequate combustion and ventilation air must be supplied to the equipment room in accordance with the NFGC (U.S.) or B149 (Canada).

The total length of the horizontal through-the-wall flue system should not exceed 75 equivalent ft (22.86 m) in length. If horizontal run exceeds 75 equivalent ft (22.86 m), an appropriately-sized variable-speed extractor must be used. Each elbow used is equal to 12 ft (3.6 m) of straight pipe.

The vent cap is not considered in the overall length of the venting system.

The vent must be installed to prevent flue gas leakage. Care must be taken during assembly to ensure that all joints are sealed properly and are airtight. The vent must be installed to prevent the potential accumulation of condensate in the vent pipes. It is recommended that the vent be insulated. Insulation is required for installations in cold environments (i.e. below 40°F or 4°C). It is required that:

The vent must be installed with a condensate drain located in proximity to the heater as directed by the vent manufacturer.

The vent must be installed with a slight upward slope of not less than 1/4 inch per foot of horizontal run to the vent terminal.

Termination

The vent cap **MUST** be mounted on the exterior of the building. The vent cap cannot be installed in a well or below grade. It must be installed at least 12" (305 mm) above ground level and above normal snow levels. The vent terminal must be located **NO CLOSER** than 12" (305 mm) off the wall.

For factory approved vent termination caps, refer to the Illustrated Parts List (IPL) section of this manual. See page 84.

Model No.	Certified Vent Material	Vent Size ft (m)	Maximum Vent Length ft (m)*	Combustion Air Intake Pipe Material**	Air Intake Max. Length* ft (m) 4" Ø
264/404	Category III	4 (1.2)	75 (22.86)	Galvanized Steel, PVC, ABS, CPVC	75 (22.86)

* Subtract 12 ft (3.6 m) per elbow.

** Schedule 40 in PVC or CPVC.

Table K. Category III Horizontal Vent & Horizontal Direct Vent

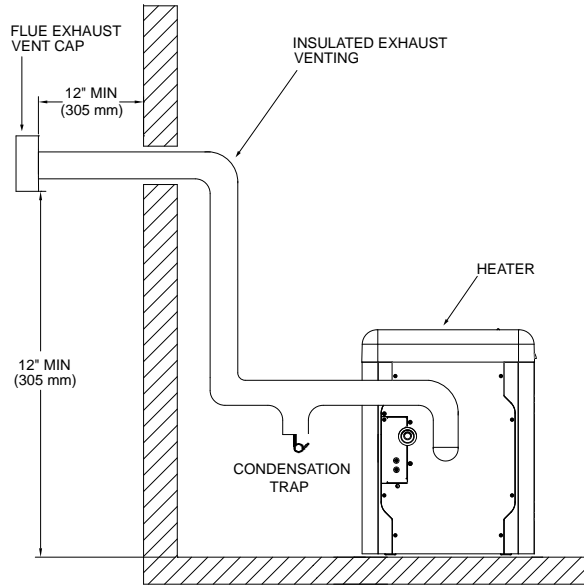


Figure 10. Horizontal Through-the-Wall Venting

CAUTION: This venting system requires the installation of a condensate drain in the vent piping per the vent manufacturer's instructions. Failure to install a condensate drain in the venting system will cause damage which will not be covered under warranty.

WARNING: No substitutions of flue pipe or vent cap material are allowed. Such substitutions would jeopardize the safety and health of inhabitants.

Direct Vent - Horizontal Through-the-Wall

Installation

These installations utilize the heater's internal blower to draw combustion air from outdoors and vent combustion products to the outdoors, see **Table K**.

NOTE: Use of B-vent on such a system does not meet direct-vent requirements.

The exhaust and intake systems must be installed to prevent the potential accumulation of condensate. It is recommended that they be insulated. Insulation is required for installations in cold environments (i.e. below 40°F (4°C).

The flue termination cap is not considered in the overall length of the venting system.

Care must be taken during assembly that all joints are sealed properly and are airtight.

The vent must be installed to prevent the potential accumulation of condensate in the vent pipes. It is recommended that the vent be insulated. Insulation is required for installations in cold environments (i.e., below 40°F or 4°C).

For installations in extremely cold climates, it is required that:

1. The vent must be installed with a slight upward slope of not more than 1/4 inch per foot of horizontal run to the vent terminal. An approved condensate trap must be installed per applicable codes.
2. The air intake vent must be insulated through the length of the horizontal run.

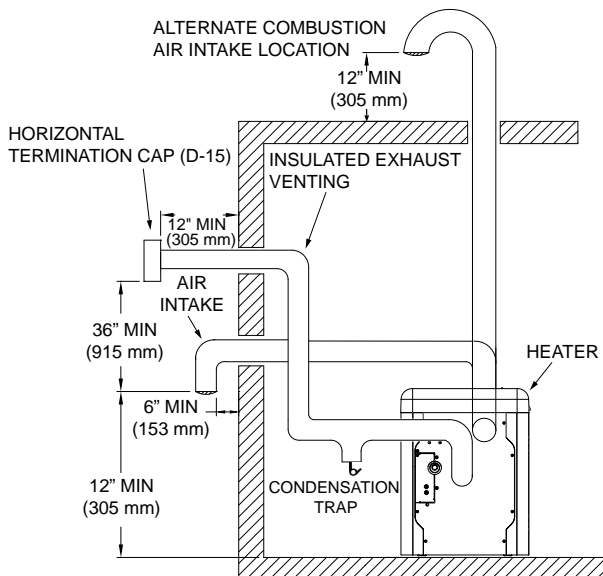


Figure 11. Horizontal Through-the-Wall Direct Venting

Termination

The exhaust vent cap **MUST** be mounted on the exterior of the building, and cannot be installed in a well or below grade. It must be installed at least 12" (305 mm) above ground level and above normal snow levels.

The exhaust vent cap **MUST NOT** be installed below or closer than 3 ft (0.9 m) from the air intake. Venting any closer to the air intake will cause combustion gases to recirculate into the heater.

This type of installation can cause non-warrantable problems with components and poor operation of the heater due to the recirculation of flue products. Multiple vent caps should be installed in the same horizontal plane with a 4 ft (1.2 m) minimum clearance from the side of one vent cap to the side of the adjacent vent cap(s). See **Figure 11**.

Combustion air supplied from outdoors must be free of particulate and chemical contaminants. To avoid a blocked flue condition, keep the vent cap clear of snow, ice, leaves, debris, etc.

Use only the special gas vent pipes listed for use with Category III gas burning heaters, such as the AL29-4C stainless steel vents offered by DuraVent (www.duravent.com). Follow the vent manufacturer's installation instructions carefully.

⚠ WARNING: No substitutions of flue pipe or vent cap material are allowed. Such substitutions would jeopardize the safety and health of inhabitants.

⚠ CAUTION: Condensate is acidic and highly corrosive.

Direct Vent—Vertical

Installation

These installations utilize the heater-mounted blower to draw combustion air from outdoors and force the heated flue products through the vent pipe under positive pressure. The vent material must be in accordance with the above instructions for vent materials. Vent material must be listed by a nationally recognized test agency.

The connection from the appliance flue to the stack must be as direct as possible and should be the same size or larger than the vent outlet.

It is recommended that the intake vent be insulated in colder climates.

NOTE: Use of B-vent on such a system does not meet direct-vent requirements.

Termination

The flue should be vertical and should terminate outside the building at least 2 ft (0.6 m) above the highest point of the roof within 10 ft (3.0 m). The vent cap should have a minimum clearance of 4 ft (1.2 m) horizontally from and in no case above or below (unless a 4 ft (1.2 m)) horizontal distance is maintained) electric meters, gas meters, regulators and relief equipment. The distance of the vent terminal from adjacent public walkways, adjacent buildings, open windows and building openings must be consistent with the NFGC (U.S.) or B149 (Canada).

Vent pipes supported only by flashing and extended above the roof more than 5 ft (1.5 m) should be securely guyed or braced to withstand snow and wind loads.

The air inlet opening **MUST** be installed 1 ft (305 mm) above the roof line or above normal snow levels that might obstruct combustion air flow. This dimension is critical to the correct operation of the heater and venting system and reduces the chance of blockage from snow. The vent cap must have a minimum 3 ft (0.9 m) vertical clearance from the air inlet opening.

Use only the special gas vent pipes listed for use with Category III gas burning heaters, such as the AL29-4C stainless steel vents offered by DuraVent (www.duravent.com). Pipe joints must be positively sealed. Follow the vent manufacturer's installation instructions carefully.

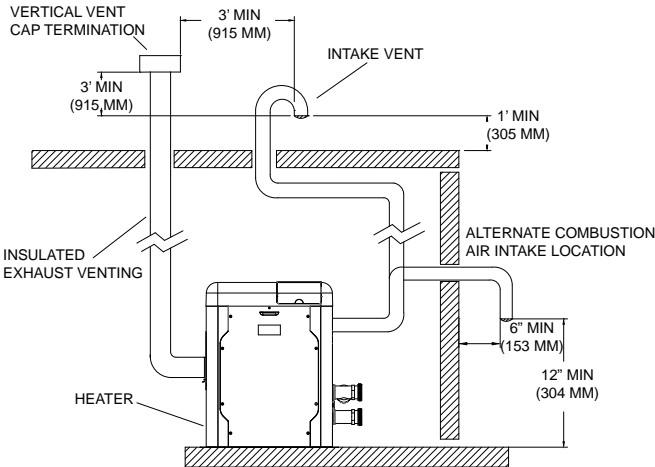


Figure 12. Direct Vent - Vertical

⚠ WARNING: No substitutions of vent pipe or vent cap material are allowed. Such substitutions would jeopardize the safety and health of inhabitants.

Outdoor Installation

The vent cap provided with the heater is the standard venting method for outdoor installations.

Care must be taken when locating the heater outdoors, because the flue gases discharged from the vent cap can condense as they leave the cap. Improper location can result in damage to adjacent structures or building finish. For maximum efficiency and safety, the following precautions must be observed:

1. Periodically check venting system. The heater's venting areas must never be obstructed in any way and minimum clearances must be observed to prevent restriction of combustion and ventilation air. Keep area clear and free of combustible and flammable materials.
2. Do not locate adjacent to any window, door, walkway, or gravity air intake. The vent must be located a minimum of 4 ft (1.2 m) horizontally from such areas.
3. Install above grade level and above normal snow levels.
4. Vent terminal must be at least 3 ft (0.9 m) above any forced air inlet located within 10 ft (3.0 m).
5. Adjacent brick or masonry surfaces must be protected with a rust-resistant sheet metal plate.

NOTE: Condensate can freeze on the vent cap. Frozen condensate on the vent cap can result in a blocked flue condition.

Gas Supply Connections

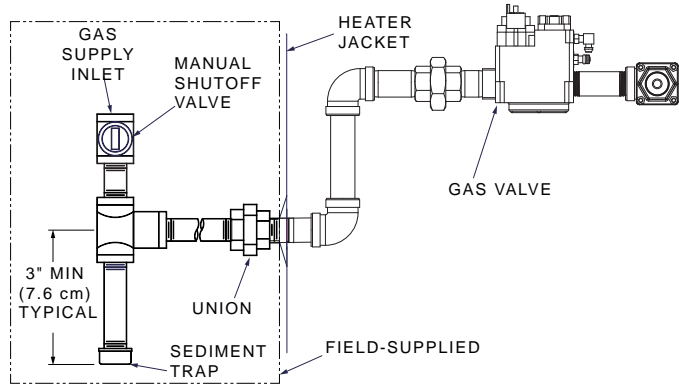


Figure 13. Gas Supply Plumbing

Gas piping must have a sediment trap ahead of the heater gas controls, and a manual shutoff valve located outside the heater jacket. All gas piping should be tested after installation in accordance with local codes.

⚠ CAUTION: The heater and its manual shutoff valve must be disconnected from the gas supply during any pressure testing of that system at test pressures in excess of 1/2 psi (3.45 kPa). Dissipate test pressure in the gas supply line before reconnecting the heater and its manual shutoff valve to gas supply line. FAILURE TO FOLLOW THIS PROCEDURE MAY DAMAGE THE GAS VALVE. OVER-PRESSURIZED GAS VALVES ARE NOT COVERED BY WARRANTY. The heater and its gas connections shall be leak-tested before placing the appliance in operation. Use soapy water for leak test. DO NOT use open flame.

Supply Pressure

⚠ CAUTION: Do not use Teflon tape on gas line pipe thread. Only sealant tape or a pipe compound rated for use with natural and propane gases is recommended. Apply sparingly only on male pipe ends, leaving the two end threads bare.

A minimum of 3.5 in. WC and a maximum of 10.5 in. WC upstream pressure under load and no-load conditions must be provided for natural gas. Required pressure for Propane Gas: Min = 8.0" WC (Dynamic), Max = 13" WC (Static).

Gas Pressure Regulator

The gas manifold pressure is preset to a negative -0.30" WC. If an adjustment is needed, remove the gas valve throttle seal and turn adjustment screw clockwise ↻ to increase pressure or counter-clockwise ↻ to decrease pressure. If available, the O₂ must be within 4.5 - 5.5% using a calibrated combustion analyzer.

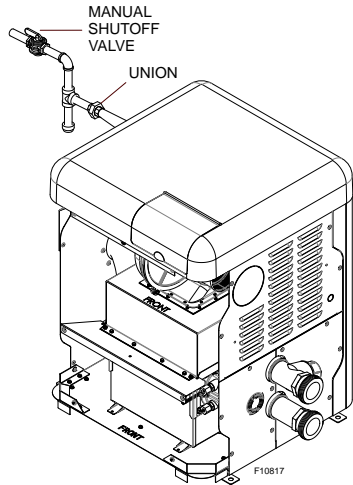


Figure 14. Manual Shutoff Valve Installation

Gas Pressure Adjustment Locations

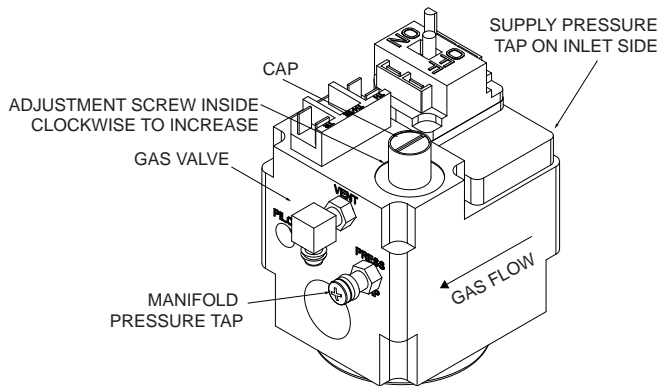


Figure 15. Gas Valve Adjustment

Pipe Sizing for Gas Connection

The capacities shown below are based on using SCH 40 black iron pipe. For capacities using other materials, consult local codes.

Maximum Equivalent Pipe Length ft (m)								
Natural Gas 1000 BTU/FT ³ 0.60 Specific Gravity @ 0.5 in. WC Pressure Drop								
Propane Gas 2500 BTU/FT ³ 1.53 Specific Gravity @ 0.5 in WC Pressure Drop								
Model No.	Size 3/4"		Size 1"		Size 1-1/4"		Size 1-1/2"	
	NAT	PRO	NAT	PRO	NAT	PRO	NAT	PRO
264	15 (4.6)	35 (10.7)	50 (12.2)	125 (38.1)	210 (64.0)	480 (146.3)	445 (135.6)	
404	*	15 (4.6)	20 (8.8)	55 (16.8)	95 (29.0)	225 (68.6)	215 (65.5)	280 (85.3)

* A 3/4" gas line can be used for up to 5' (1.5 m) maximum length from the gas valve in addition to the sediment trap.

Table L. Gas Pipe Sizing

Gas Regulator Best Practices

From the gas pressure regulator, it is recommended to have no less than 10 pipe diameters of straight smooth pipe downstream of the regulator discharge and to have no less than 10 linear feet (not including fittings) between the regulator and the inlet to the appliance for proper operation.

Flow Rates

Model	Pipe Size in. (mm)	Min. GPM (lpm)	Max. GPM (lpm)
264/404	2 (50.8)	40 (151)	100 (379)

* When flow rates exceed maximum GPM an external auxiliary bypass valve is required. See External Bypass Valve Section on page 21 for details.

Table M. Min/Max Flow Rates

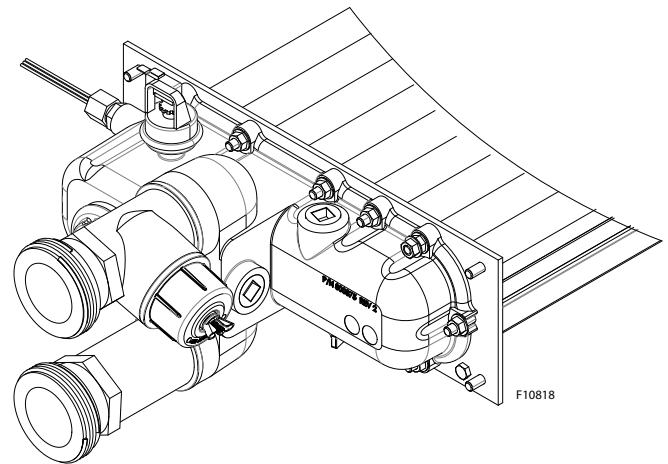


Figure 16. Water Flow

Flow GPM (lpm)	Pressure Drop Ft. of Head (m of Head)	
	264	404
40 (151)	7.2 (2.2)	13.4 (4.1)
50 (189)	10.0 (3.1)	16.5 (5.0)
60 (227)	12.6 (3.8)	19.5 (5.9)
70 (265)	17.0 (5.2)	23.7 (7.2)
80 (303)	24.0 (7.3)	28.3 (8.6)
90 (341)	30.3 (9.2)	33.2 (10.1)
100 (379)	36.0 (10.9)	37.0 (11.3)

Table N. Heat Exchanger Pressure Drops

NOTE: Table capacity is based on 2" Schedule 40 piping.

High-temperature CPVC header flanges and header flange nuts are provided. If there is any possibility of back-siphoning when the pump stops, it is highly recommended that a check valve (or valves) also be installed in the system. It is also recommended to have a downstream ball or gate valve to regulate heater flow and pressure.

Before attaching the 2-inch unions to the inlet/Out header, make sure the O-rings are properly seated in the grooves. Use Aqualube or equivalent non-petroleum-based lubricant on the O-ring. **Hand tighten the unions.** Glue PVC piping directly to the unions.

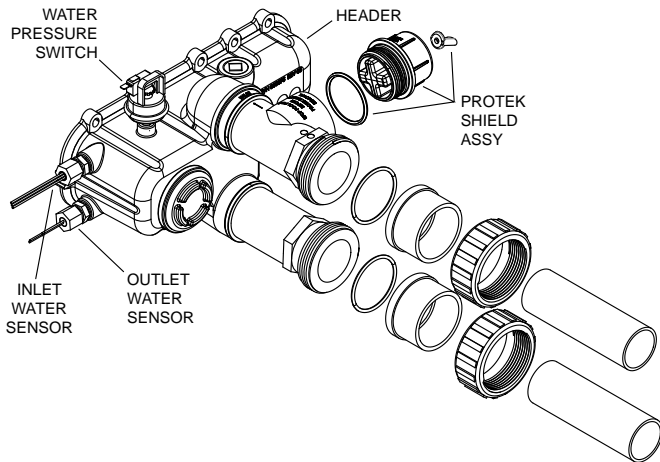


Figure 17. Inlet/Outlet Header

ProTek Shield Assembly

This heater is equipped with a ProTek Shield Assembly located horizontally on the right side of the Inlet water connection.

This component provides protection to the heat exchanger against galvanic corrosion, when properly bonded to the heat exchanger. It should be replaced when the weight of the ProTek Shield is reduced to about 40% of the original weight (1.46 lbs.).

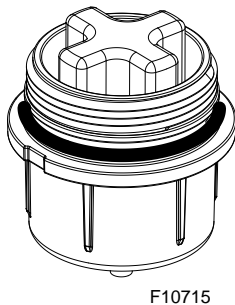


Figure 18. ProTek Shield Assembly

CAUTION: STOP the pool pump before attempting to remove ProTek Shield Assembly. Failure to do so may result in damage to ProTek Shield Assy, loss of pool water, or personal injury.

CAUTION: Do not use tools to remove (twist) the ProTek Shield Assy or the wing nut on the stud of the ProTek Shield Assy. Non-warrantable damage may occur.

Follow the steps below to replace the ProTek Shield Assy:

1. Shut off the pool pump and bleed pressure from the system.
2. Close isolation valves to minimize pool/spa water loss.
3. Remove wing nut from bottom stud on ProTek Shield Assy.
4. Remove bonding wire ring terminal from stud.
5. Rotate ProTek Shield Assy counter-clockwise (by hand) to unscrew it from the assembly.
6. Inspect/replace as necessary and reverse above procedure to reinstall. **Hand tighten only!** Do not use tools.

NOTE: Make sure the O-ring is properly seated in the O-ring groove before installation.

Unitherm Governor Operation

CAUTION: The patented Unitherm Governor is a thermostatic mixing valve specifically designed to maintain constant heater internal temperature between 120°F (49°C) and 135°F (57°C) despite continually changing flow rates from the filter and changing pool temperatures. This range is needed to reduce the amount of condensation from the fin tubes which will occur if the heater runs for any length of time below 100°F (38°C) water from the pool. It is also needed to inhibit scale formation in the tubes by maintaining temperatures well below accelerated scaling temperatures.

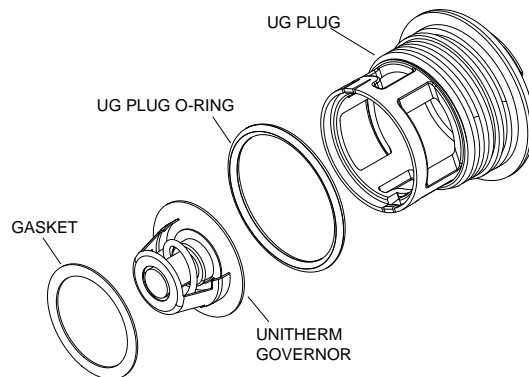


Figure 19. Unitherm Governor

Internal Automatic Bypass Valve

In addition to the Unitherm Governor, a built-in automatic bypass valve is provided in the In/Out header. While the Unitherm Governor responds to the changes in water temperature in the heater, the internal bypass valve automatically responds to changes in water pressure in the piping system. Proper amount of water flow is maintained through the heater under varying pressures dictated by the conditions of the pump and filter.

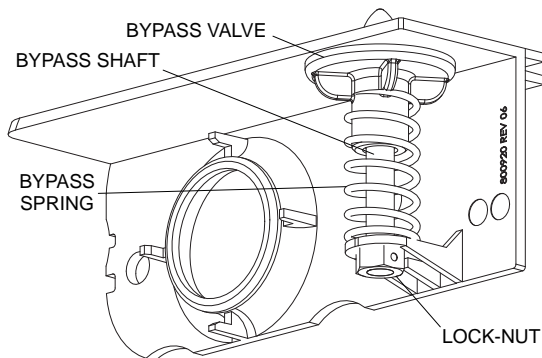
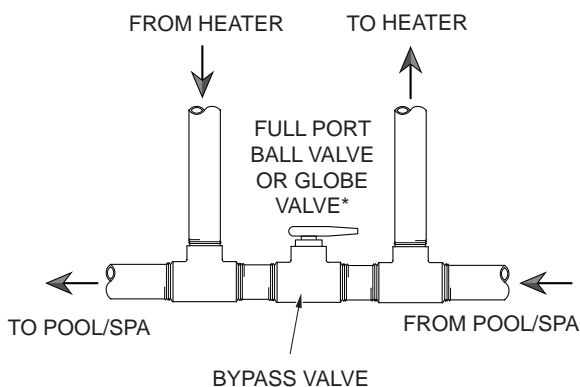


Figure 20. Internal Automatic Bypass Valve

External Auxiliary Bypass Valve

Where Required - An auxiliary bypass valve should be used when flow rates exceed 100 GPM (379 lpm). Usually a high-performance pump size larger than two horsepower will exceed this flow rate. This valve is required to complement the function of the automatic bypass valve, particularly when starting the heater in winter or early spring when the spa or pool temperature is below 50°F (10°C). It also serves to eliminate needless pressure drop through the heater and accompanying reduction in the flow rate to the spa jets.



***NOTE:** Do not use a gate valve.

Figure 21. Auxiliary Bypass Valve

Auxiliary Bypass Valve Adjustment

To set bypass - With clean filter, adjustment is made by feeling the inlet and outlet pipes at the heater. Outlet pipes should be slightly warmer than inlet and comfortable to the touch. If pipe is hot, close bypass; if cold, open bypass.

Pressure Relief Valve Installation

A 3/4" NPT connection is provided in the header for installation of a pressure relief valve (PRV). The valve shall be installed in a vertical position. The PRV can leak overtime and may not operate correctly if installed in a different orientation. Do not over-tighten. Install pressure relief valve hand-tight, plus a 1/2 turn. Use PRV kit (018936F) and **Figure 23** below to properly plumb the PRV.

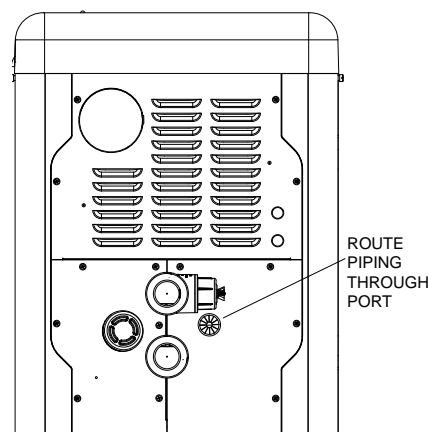


Figure 22. PRV Location

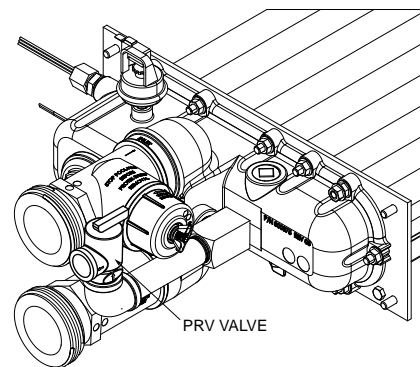


Figure 23. PRV Installed

NOTE: To avoid water damage or scalding due to valve operation, drain pipe must be connected to the outlet of the PRV and run to a safe place of discharge. Drain pipe must be the same size as the valve discharge connection throughout its entire length and must pitch downward from the valve. No shutoff valve shall be installed between the relief valve and the drain line. Valve lever should be tripped at least once a year to ensure that waterways are clear.

The heater requires water flow and positive pressure to fire and operate properly. It must therefore be installed downstream of the discharge side of the filter pump. See **Figure 24** and **Figure 25**.

A typical installation is plumbed as follows:

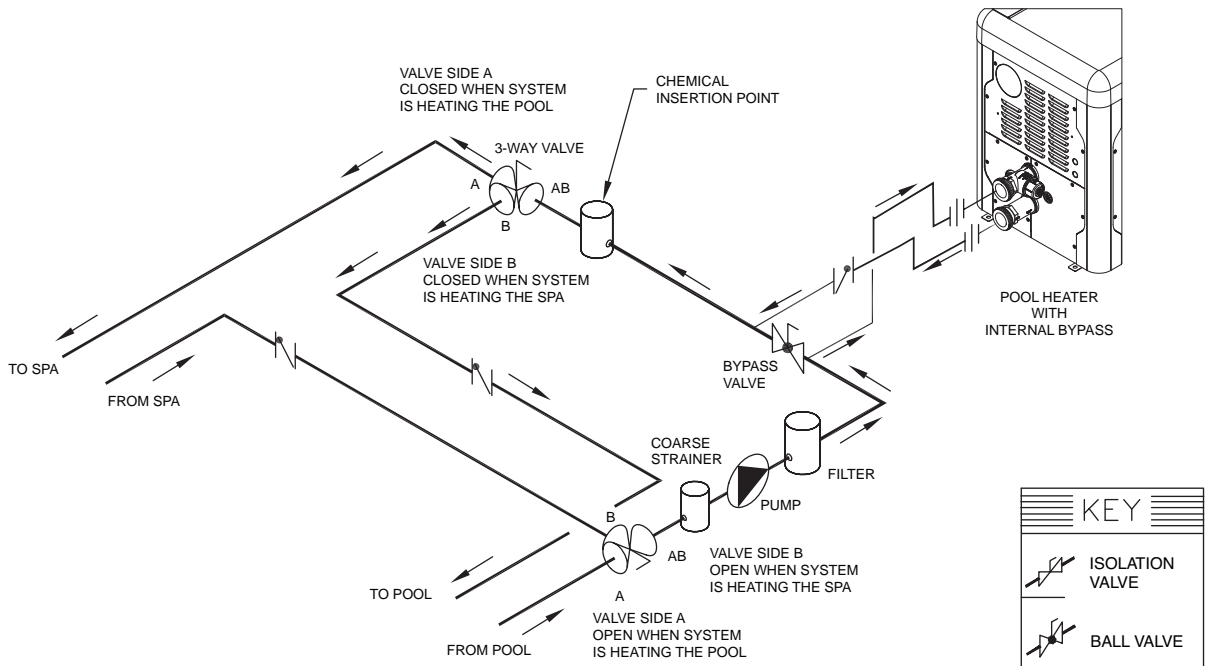
1. The inlet side of the filter is plumbed directly to the discharge side of the filter pump;
2. The outlet side of the filter is then plumbed to the inlet of the heater; and
3. The outlet of the heater is plumbed to the return line to the pool or spa. The pump, filter and heater are thus plumbed in series (Salt generators and chemical feeders must be downstream of the pool heater).

▲ CAUTION: An additional source of heated water, e.g. a solar heating system, must be connected to the main line ahead of the heater inlet pipe in order for it to act as the primary heat source. If the primary system provides adequate heat to maintain setpoint, the heater will not fire. Be advised that the control panel will then display sensed water temperatures downstream of the primary heating system, rather than the temperature of the water exiting the pool.

Heater must be located so that any water leaks will not damage the structure of adjacent area. CPVC or PVC pipe may be glued directly into the half-unions provided.

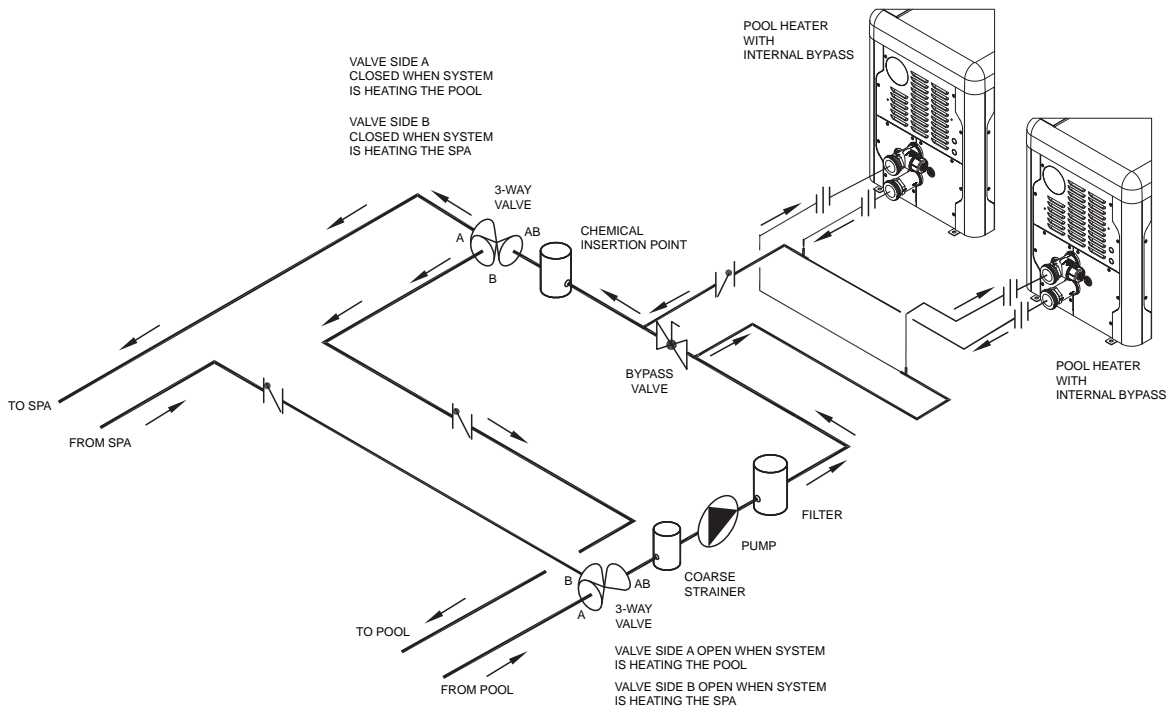
Plumbing Diagram

Water Connection



THIS DIAGRAM IS A RECOMMENDATION AND IS NOT INTENDED TO REPLACE AN ENGINEERED PIPING SYSTEM BY A PROFESSIONAL ENGINEER

Figure 24. Single Pool Heater Installation



THIS DIAGRAM IS A RECOMMENDATION AND IS NOT INTENDED TO REPLACE AN ENGINEERED PIPING SYSTEM BY A PROFESSIONAL ENGINEER

Figure 25. Multiple Pool Heater Installation

Water/Flue Connection Reversal

The heater is designed so that the control panel along with the top can rotate in 90-degree increments to face the user.

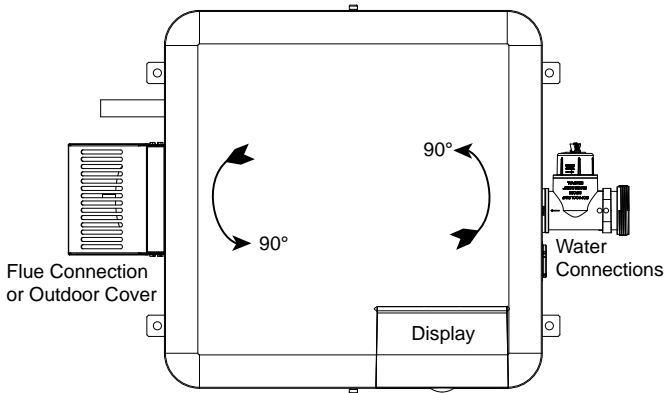


Figure 26. Connection Reversal

To rotate the top, remove the (2) knurled screws holding the jacket top to the heater as shown below. Rotate the top to the desired position and reinstall the knurled screws to retain the jacket top. See **Figure 34** on page 27.

NOTE: To prevent wire harness damage, ensure harnesses are out of the way when handling the top cover.

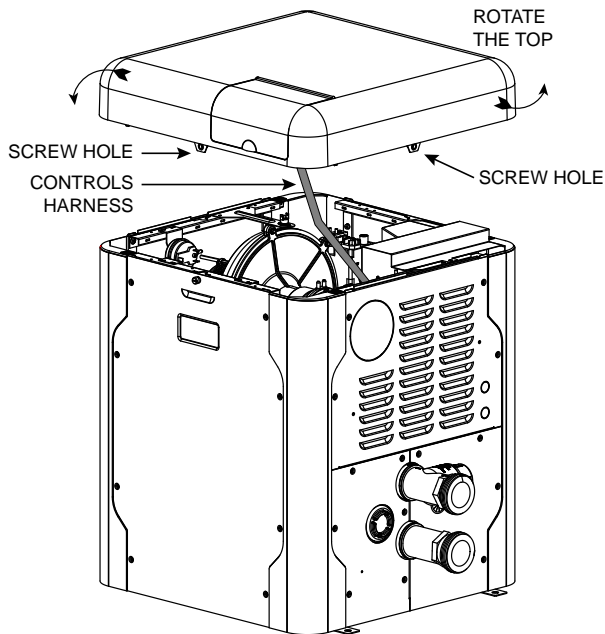


Figure 27. Rotate Jacket Top

5. ELECTRICAL WIRING

NOTE: If it is necessary to replace any of the original wiring, use 150°C wire or its equivalent.

⚠ WARNING: The heaters are factory-wired for 240 VAC, 1Ph, 60Hz power supply. DO NOT attempt to operate at 208 VAC or below.

NOTE: Holes not utilized on jacket and electric junction box, can be used for remote mode selector, Protégé VS pump wiring, or auxiliary control interface.

Electrical Power Draw

⚠ CAUTION: A bonding lug is located below the junction box. Failure to ground the heater electrically could affect the heater's electronics. A Bonding Wire must be installed as per NEC requirements to safeguard persons and property.

NOTE: See "Time Clock/Fireman's Switch" on page 38 for further instructions if using a time clock/fireman's switch.

The Electronic Ignition Device automatically lights the burner upon a call-for-heat. The heater is supplied with a dual-voltage transformer for 120 VAC or 240 VAC input power hookup. Factory default configuration is 240 VAC. When using 120VAC, wire the transformer per **Figure 29** and change the blower jumper per **Figure 30**.

When operating on 120 VAC power, units draw approximately 1.6 amps. When operating on 240 VAC power, units draw approximately 1.2 amps.

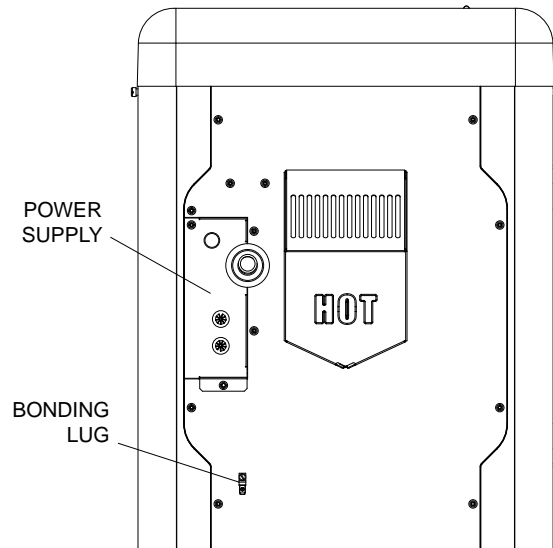


Figure 28. Heater Wiring Locations

Transformer Wiring

CAUTION: If the transformer's primary side is wired for 120 VAC and 240 VAC is applied, damage to the transformer and PC board may result. Such damages are not covered under manufacturer's limited warranty.

120 VAC Wiring

For 120 VAC input power to the unit, connect the field-supplied Black wire (L1) to the (2) Black wires from the heater. Connect the white and red/white wires to the "N" or Neutral leg of the power supply. **There should be no connection to the red wire for 120 VAC operation.** Attach a wire nut to the red wire.

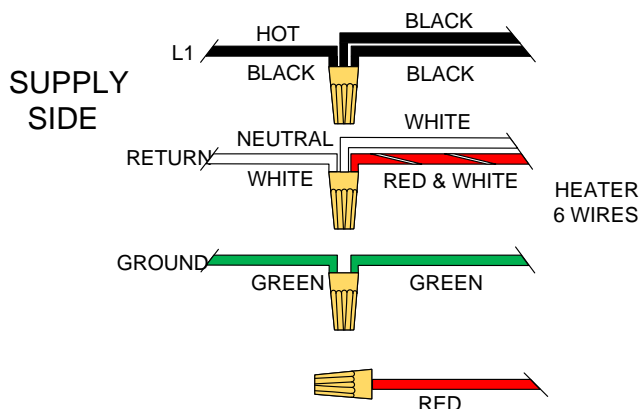


Figure 29. 120 VAC Wire Connection

CAUTION: The heater is pre-wired with a 240V connector to the blower. If the supply voltage is 120V, replace the connector with the supplied 120V (red connector). Using the wrong corresponding connector will cause electrical damage.

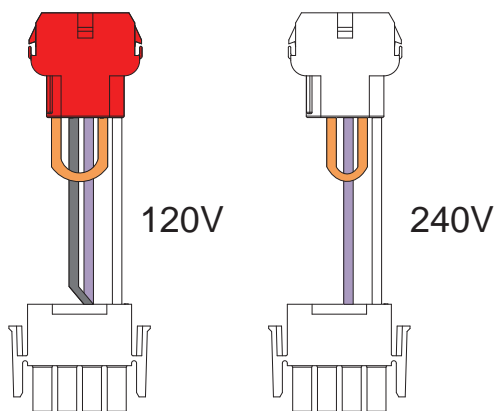


Figure 30. Blower Jumpers

240 VAC Wiring

For 240 VAC input power to the unit, connect the black wires to the L1 or hot leg of the power supply. Connect the red and red/white wires to the "L2" or second hot leg of the power supply. **There should be no connection to the white wire for 240 VAC operation.** Attach a wire nut to the white wire.

WARNING: DO NOT attempt to operate the heater at 208 VAC.

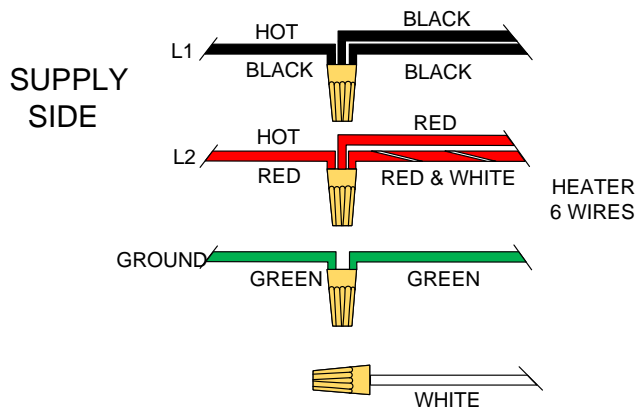


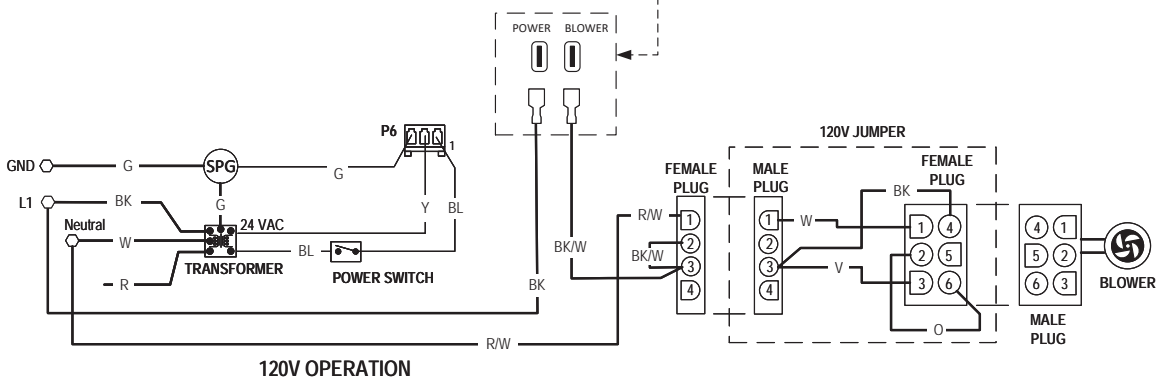
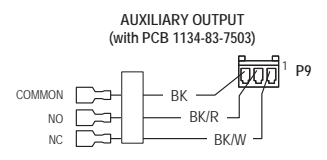
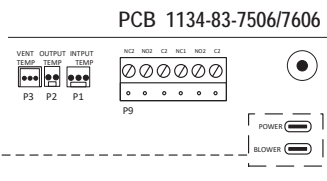
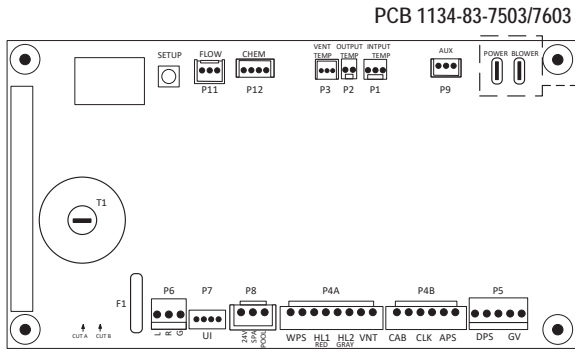
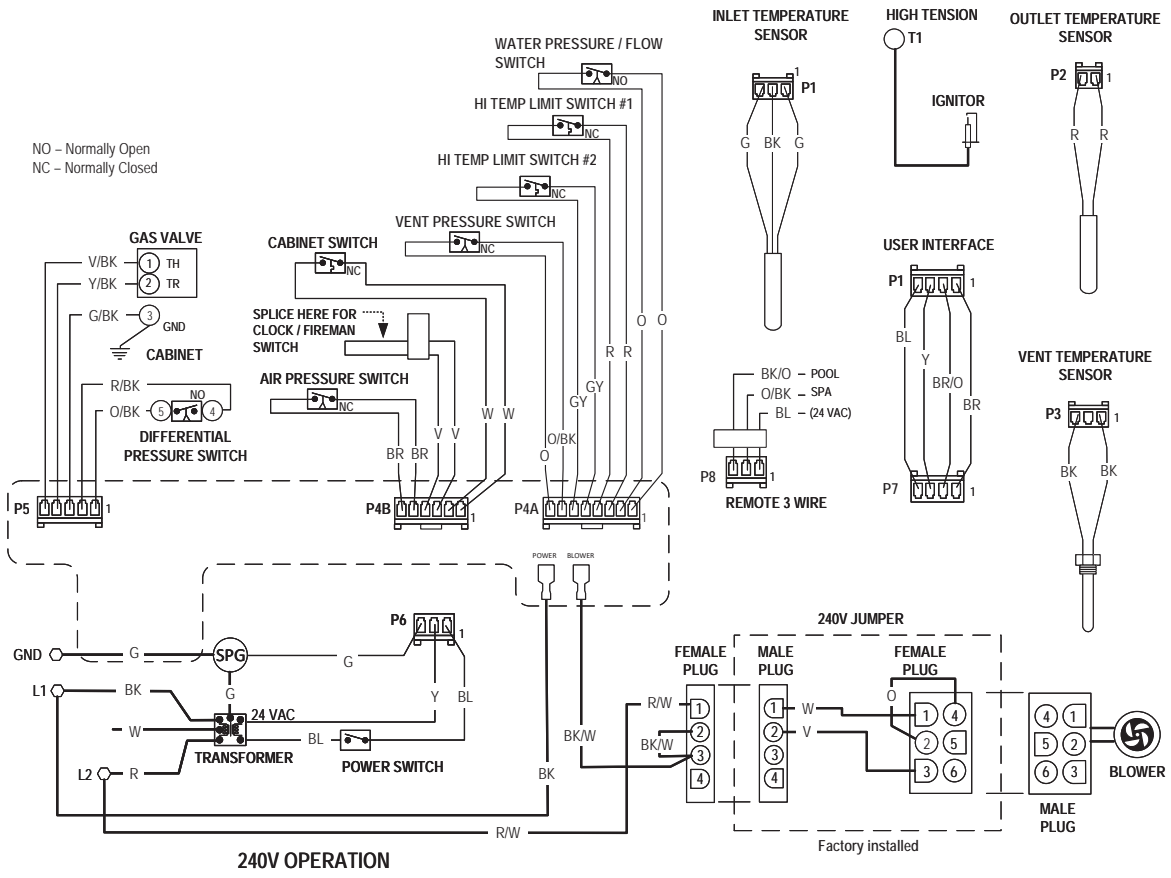
Figure 31. 240 VAC Wire Connection

The heater must be electrically grounded and bonded in accordance with local codes, or, in the absence of local codes, with the latest edition of the National Electrical Code, ANSI/NFPA 70. (Canada - Canadian Electrical Code, CSA C22.1, Part 1 and Part 2.)

NOTE: Input power to the heater (120 or 240 VAC) can be supplied from the load (pump) side of time clock or directly from the GFCI power source. It is preferred that full-time power be supplied to the heater from the GFCI power source, and that the heater be controlled by the fireman's switch connection or using a two or three-wire remote. If using a switched GFCI power source, the heater could display false service indicators on the display panel if the pump is turned off.

6. CONTROLS WIRING DIAGRAM 240V AND 120V OPERATION

NO – Normally Open
NC – Normally Closed



7. CONTROLS

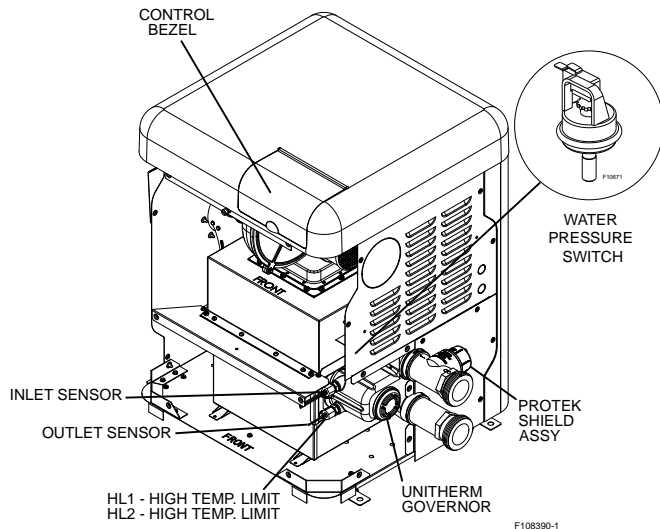


Figure 32. Location of Controls (View One)

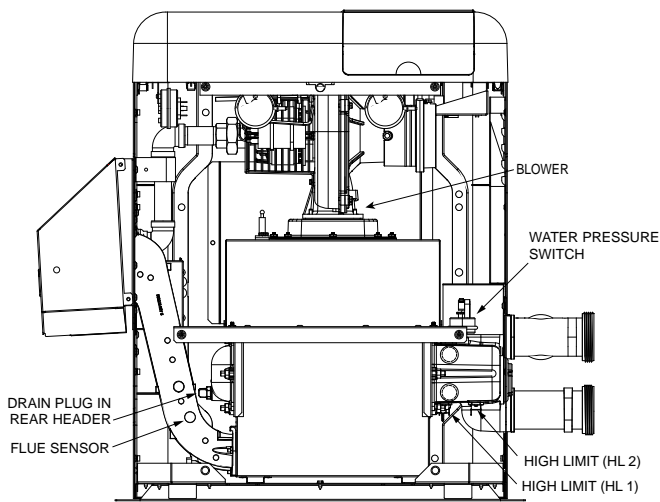


Figure 33. Location of Controls (View Two)

Heater Top Removal

1. Remove the knurled screws from front and rear door. See Figure 34.
2. Lift top cover to detach from unit. Leave display harness connected to ignition board.

NOTE: To prevent wire harness damage, ensure harnesses are out of the way when handling the top cover.

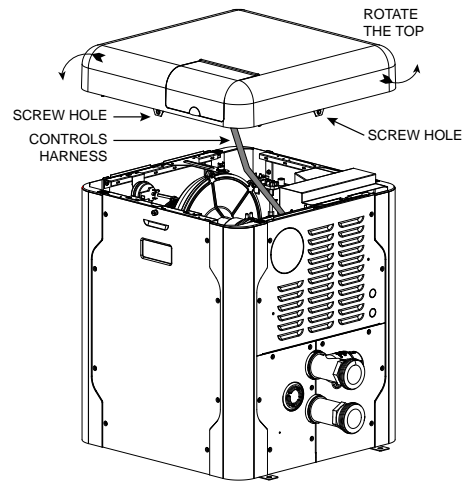


Figure 34. Heater Top Removal

Control Adjustments

The pool heater touchpad, located on the upper front panel of the heater, allows the user to select either POOL or SPA operation, and to adjust the setpoint temperature. The LCD display window indicates the mode (OFF, SPA, POOL) and the actual water temperature. A manual power switch provided below the touchpad turns the control power ON or OFF. The LCD shows the control boards firmware versions momentary at power on. See Figure 35.

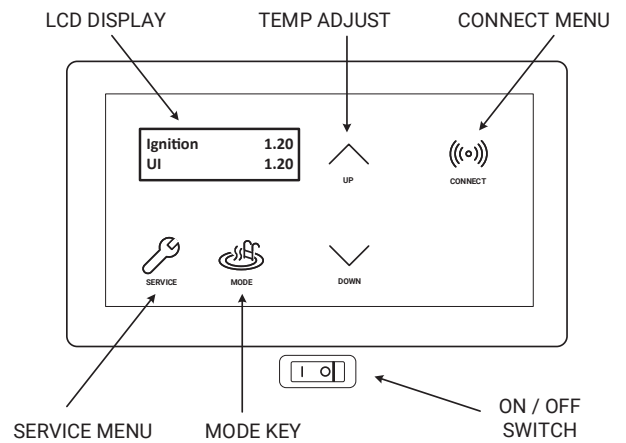


Figure 35. Control Adjustments

Mode Key

The Mode Key is used to select POOL or SPA operation. It also allows the user to select the OFF mode of operation, during which the LCD, while displaying OFF, continues to show the water temperature.

UP and DOWN Keys

If the heater is in POOL or SPA mode, the desired water temperature (SETPOINT) will be displayed and may be adjusted using the UP or DOWN keys.

Operation

In the POOL or SPA modes, the actual water temperature is displayed along with the desired water temperature (SETPOINT). When the water temperature is above the setpoint, "Water Temp" will alternate with "No Demand." When the water temperature is below the setpoint and the heater is firing, "Water Temp" will alternate with "Heating."

To adjust the setpoint temperature, make sure the control is in the appropriate mode (POOL or SPA) and touch the UP or DOWN keys.

By default, the setpoint range is 50-104°F (10-40°C). See "Program Menu" on page 31 to adjust the MAX setting, if necessary.

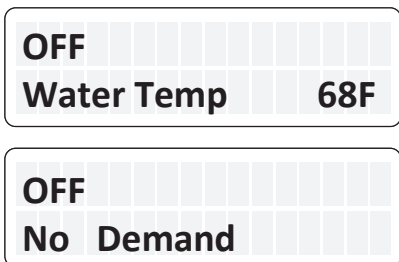


Figure 36. Alternating Display During Heating

Service Menus

To access the Service Menu and fault history, press the SERVICE key 1 time. The heater will continue to operate while in the Service Menu.

The first screen displayed is the Flame Strength indicator, which indicates the flame current using a numerical display. A signal of less than 1.0 μ A indicates a weak flame signal and may require service. Refer to "Troubleshooting" on page 48 for possible causes and corrections.



Figure 37. Flame Strength Indicator

Press the DOWN key. The Supply Voltage screen indicates the voltage supplied to the control board. Normal readings range from 24 to 30 volts.

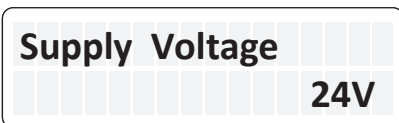


Figure 38. Supply Voltage Indicator

Press the DOWN key. The "Hours" run time indicates the total hours of operation for the pool heater, as measured by the amount of time that the gas valve has been powered. The "Cycles" count indicates the number of on/off cycles of the heater, as measured by the number of times the valve has been powered.

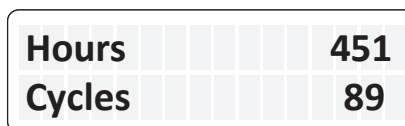
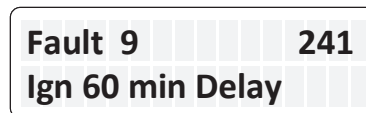
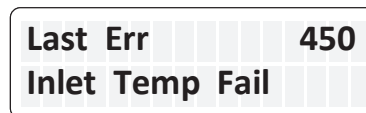


Figure 39. Run Time/Cycles

Press the DOWN key. The Fault History displays up to ten faults in memory. The order of the faults begins with "Last Err" which is the most recent fault, and proceeds through the ten most recent messages in reverse chronological order. Run time hours at the moment of the fault are displayed at the end of line one. The second line of the display shows the fault message. If there are no faults in the history buffer, the second line reads "All Faults Clear."



or

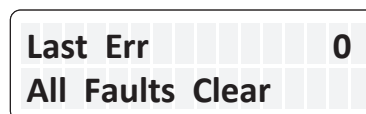



Figure 40. Fault History Indicator

Press the Service  key again. The advance service menu is accessed.

Inlet and Outlet Temperature

The Inlet / Outlet Temperature screen indicates the water temperature sensed in the inlet and at the outlet of the heat exchanger.



Figure 41. Inlet and Heat Exchanger Outlet Temperature

NOTE: Outlet temperature sensor is located before the bypass valve. Outlet temperature readings do not represent the pool system outlet temperature.

Vent Temperature

Press the DOWN key. The Vent Temperature screen indicates the temperature sensed in the vent.

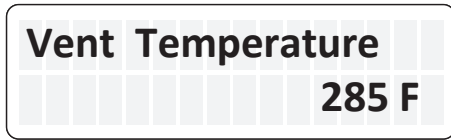


Figure 42. Vent Temperature

NOTE: If the sensed flue temp exceeds 390°F (199°C), the heater will shut down on a vent temperature fault. If the sensed flue temp is less than 175°F (79°C), the unit may condense.

Flow Monitoring

Press the DOWN key. By default, the Flow Monitoring screen indicates the estimated flow when unit is heating.

When optional flow sensor is installed, this screen can be configured to display flow sensor readings. See page 32 to configure the Flow Sensor input.

NOTE: Ideal water flow rate for a heater is 40 GPM or higher.

The HX Flow Estimate only considers water flow through the heat exchanger. Ideal flows through the heat exchanger are:

- 264 BTU unit is 7 to 14 GPM
- 399 BTU unit is 10 to 19 GPM

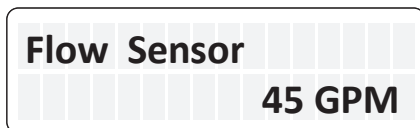


Figure 43. Flow Monitoring

Estimated Volume and Heat Time

Press the DOWN key. The Pool Volume and Heat Time screen indicates the estimated pool volume in gallons and heat-up time in minutes.

Press the DOWN key again. The Spa Volume and Heat Time screen indicates the estimated Spa volume in gallons and heat-up time in minutes.

Any volume equal or below 3000 gallons is considered a Spa, while any estimated volume above 3000 gallons is estimated as Pool.



Figure 44. Estimated Volume and Heat Time

NOTE: Volume and heat time estimations are based on single heater supplying a body of water of constant volume. Multiple heaters, combined heat sources or interconnection of multiple body of waters may cause wrong calculations.

Protégé Pump Status

Press the DOWN key. When a Protège variable speed pump is connected to the heater and communication is enabled, the Pump Status screen indicates current pump configuration.

By default, Pump Control is disabled. See page 32 to select and configure Pump Control.

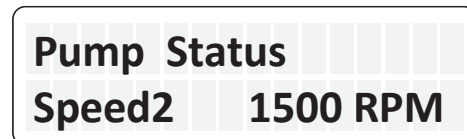


Figure 45. Pump Status

Auxiliary Output

Press the DOWN button. The Auxiliary Output screen indicates current status of the auxiliary relay output.

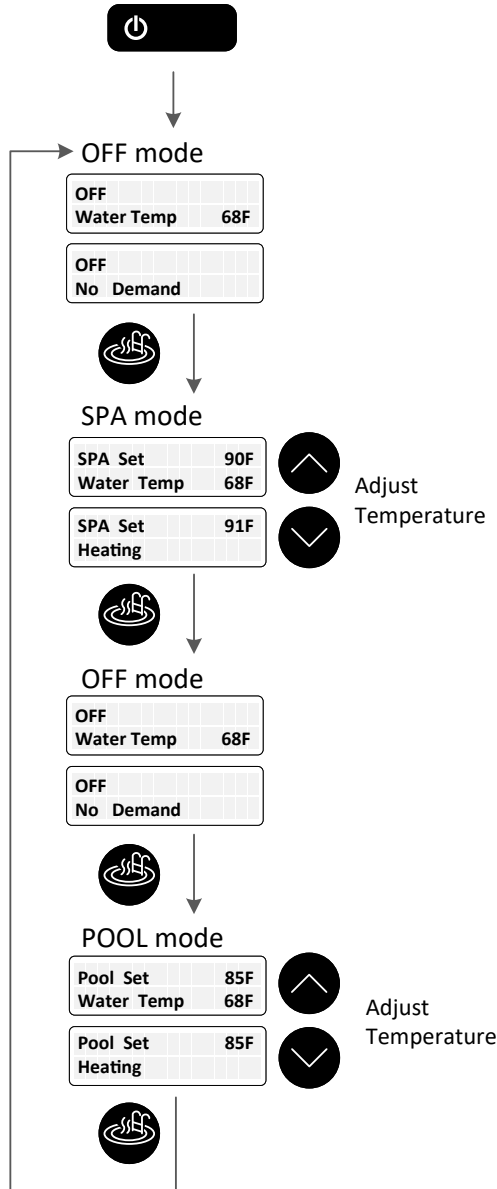
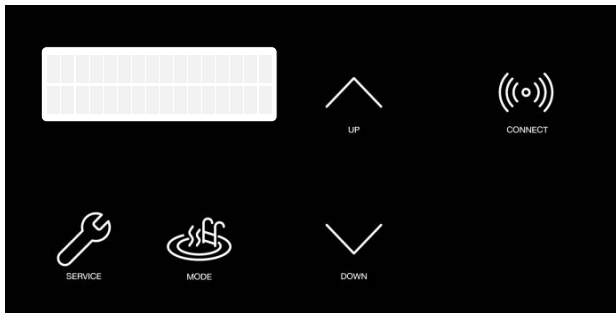
For operation verification of the auxiliary relay, press SERVICE and MODE keys simultaneously for 3 seconds to toggle output state between ON and OFF.

AUX output works as a “switch” that can be turned On/Off with Raymote app online scheduler.



Figure 46. Auxiliary Relay Output

NOTE: Auxiliary output (port P9) is a dry contact output: It requires external power supply to energize connected devices. Do not connect directly to an application that requires more than 3 Amps. For more details see Section 13, Auxiliary Control Output on page 81.



☆ Available in some configurations and kits

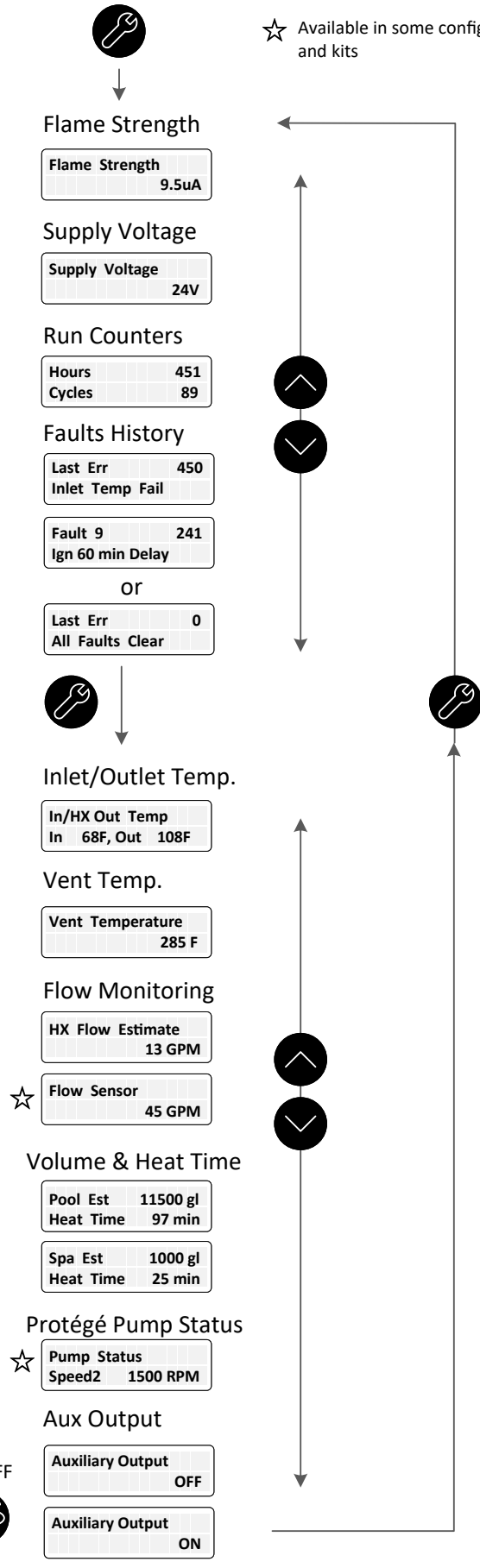


Figure 47. Operation and Service Screens

Program Menu

To access PROGRAM menu, press and hold SERVICE and MODE keys simultaneously for 5 to 7 seconds until "Language" appears on the display.

NOTE: Changes to default program configurations could affect normal functionality of the heater.

Press the SERVICE key sequentially until the desired program event is reached. By default, there are 12 different settings that can be programmed. Additional configurations for other add-ons are displayed when enabled. **Figure 48** lists the default menus.

Language English	Lenguaje Español	Langue Français
Set Defaults	Defaults Set	
Reset Faults	Faults Cleared	
Temp Display Fahrenheit	Temp Display Celsius	
Spa Max Temp 50 F	Spa Max Temp 107 F	
Pool Max Temp 50 F	Pool Max Temp 107 F	
WiFi Reset	WiFi Initialized	
Automation Mode Enabled	Automation Mode Disabled	
Flow Monitoring Estimation	Flow Monitoring Flow Sensor	
Altitude Normal 0 to 4500 ft	Altitude High Above 4500 ft	
Pump Control Disabled	Pump Control Enabled	
Water Chemistry Disabled	Water Chemistry Enabled	

Figure 48. Programmable Settings

Language Selection

Initial display in PROGRAM Menus is "Language" selection.

The UP and DOWN keys will select English, Spanish or French language for all menus and Display messages.

Set Factory Defaults

Press the SERVICE key again. "Set Defaults" option is displayed. To set factory defaults, press and hold SERVICE and MODE keys simultaneously for 3 to 5 seconds until "Defaults Set" appears.

This operation resets the operating program to its factory default values.

Both the POOL and SPA setpoints will revert to 65°F (18°C) and both POOL and SPA maximum temperature settings will be 104°F (40°C). Language is set to English, temperature display is set to Fahrenheit, Automation Mode is enabled, Altitude to Normal, Flow monitoring is set to Estimate, Protège Pump Control and other add-ons are disabled. The Control Lockout PIN will be cleared and the control will resume normal operation. See "Control Lockout" section on page 34.

Reset Faults

Press the SERVICE key again. "Clear Faults" appears on the digital display. To clear fault history press and hold SERVICE and MODE keys simultaneously for 3 to 5 seconds until "Faults Cleared" appears.

Temperature Display

Press the SERVICE key again. "Temp Display" appears on the digital display. The UP or DOWN keys will select Fahrenheit or Celsius on the temperature display. Choose the desired temperature scale.

Spa Setpoint Maximum Adjustment

Press the SERVICE key until "Spa Max. Temp" appears on the digital display. Using the UP and DOWN keys will change the Maximum Temperature Setting to your desired value. The control can be set for a maximum of 107°F (42°C).

Pool Setpoint Maximum Adjustment

Press the SERVICE key until "Pool Max. Temp" appears on the digital display. Using the UP and DOWN keys will change the Maximum Temperature Setting to your desired value. The control can be set for a maximum of 107°F (42°C).

WARNING: Ensure to properly setup pool and spa max setpoint limits. Setpoint should never exceed above 107° F (42°C).

Wi-Fi Reset

Press the SERVICE key again. "Wi-Fi Reset" appears on the digital display. To clear stored Wi-Fi signal name and password, press and hold SERVICE and MODE keys simultaneously for 3 to 5 seconds until "Wi-Fi Initialized" appears.

This operation resets the Wi-Fi credentials, leaving the unit ready to configure connection with the Raymote app. For details on how to connect your pool heater to Raymote, follow the instructions on page 51.

Automation Mode

Press the SERVICE key until "Automation Mode" appears on the digital display. The UP or DOWN keys will select Enabled or Disabled Automation mode functionality.

When Automation is disabled, Raymote online-scheduled routines are ignored.

By default, Automation Mode is enabled. For details on how to configure scheduling and automation with Raymote, refer to page 63.

Flow Monitoring

Press the SERVICE key until "Flow Monitoring" appears on the digital display. The UP or DOWN keys will select "Estimation" or "Flow Sensor" on the Flow Monitoring function.

By default, Flow Monitoring is set to "Estimated". This function estimates the flow through the heat exchanger when unit is in "Heating" status.

Flow Sensor input port (P11) is compatible with an optional 5 VDC hall-effect Flow Sensor. When Flow Sensor option is enabled, the flow sensor input (P11) translates a pulse count of 1 Hz to 1 GPM. To calibrate, set a gain using the Flow Sensor Gain sub-menu.



Figure 49. Submenu – Flow Sensor Gain

Protégé Pump Control

Press the SERVICE key until "Pump Control" appears on the digital display. The UP or DOWN keys will select "Enabled" or "Disabled". By default, Pump Control option is Disabled.

Pump Control is compatible with Raypak Protégé VSP and EVP variable speed pumps.

When "Pump Control" is enabled, the speed configuration sub-menus are displayed. Use these sub-menus to set up the 4-speed pump settings.

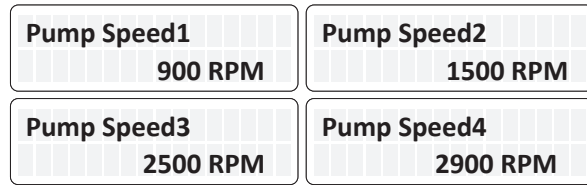


Figure 50. Submenu – Pump Speeds

Water Chemistry

Press the SERVICE key until "Water Chemistry" appears on the digital display. The UP or DOWN keys will select "Enabled" or "Disabled". By default, Water Chemistry is "Disabled".

These features are compatible with the Raypak Water Chemistry kit.

Auxiliary Mode

NOTE: This option is available only for units equipped with 2 Auxiliary relays (PCB 1134-83-7506/7606).

Press the SERVICE key until "Auxiliary 1 Mode" or "Auxiliary 2 Mode" appears on the digital display. The UP or DOWN keys will select the operation mode of the Auxiliary relays. The default mode is "Raymote/Manual" for Auxiliary 1 and 2.

Use UP or Down key to change operation mode selection. These are the operation modes available for the Auxiliary outputs:

-Raymote/Manual: The Auxiliary output can be commanded from Raymote or from the LCD Service menu.

-Spa mode: The Auxiliary turns ON while the heater is in Spa mode.

-Pool mode: The Auxiliary turns ON while the heater is in Pool mode.

-Pool/Spa mode: The Auxiliary turns ON while the heater is in Pool or Spa mode.

-Blower mode: The Auxiliary turns ON while Blower is On.

-Heat mode: The Auxiliary turns ON while heater is in Heat status mode.



Figure 51. Auxiliary Modes - 2-Aux Boards only

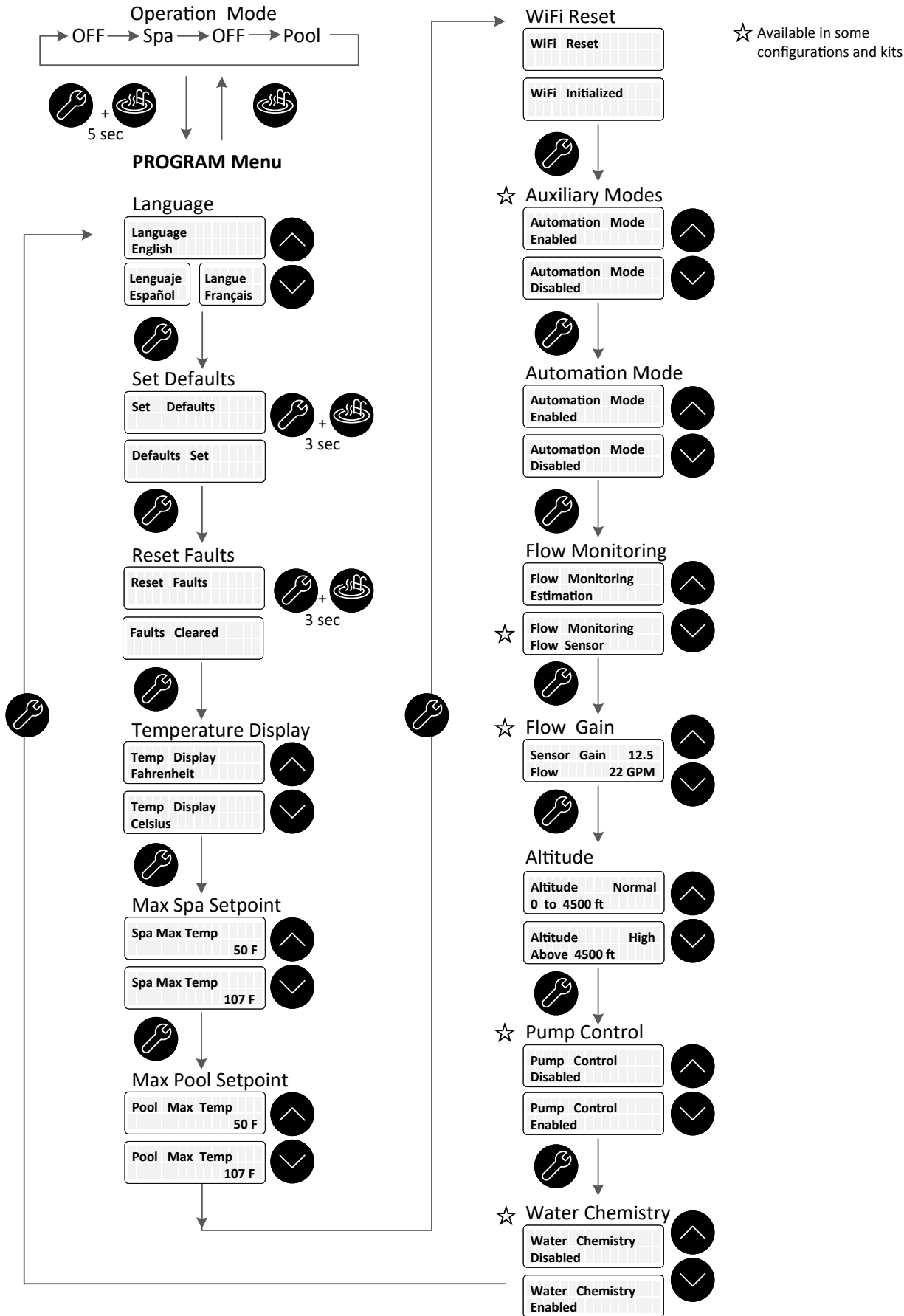


Figure 52. Program Menu Screens

Control Lockout

The heater is equipped with a Control Lockout feature to prevent unauthorized tampering or adjustment of the control settings. To lock out the controls, press the MODE and DOWN keys simultaneously for 5-seconds. Choose a three-digit PIN, using the UP and DOWN keys to select the digits and the MODE key to lock in selections. Confirm your selection and record your PIN.

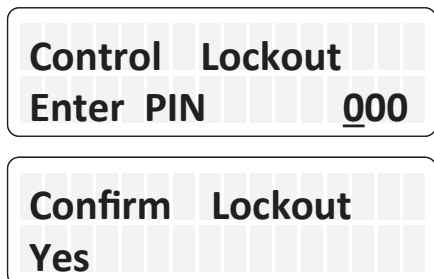


Figure 53. Control Lockout

To unlock the controls, press MODE, UP or DOWN key to bring up the ENTER PIN menu. Enter the PIN that was used to lock the control. Note that power cycling will not clear the lockout. Successfully unlocking the control will display "LOCKBOX CLEARED". Failure to enter the correct PIN will display "INVALID PIN".

In the event that the user-selected PIN is lost or does not clear the Control Lockout, use the Program Menu to SET FACTORY DEFAULTS. This will clear the PIN and allow normal operation and selection of a new PIN if desired. See the "Program Menu" section on page 31 for details.

NOTE: By setting FACTORY DEFAULTS, both the POOL and SPA setpoints will revert back to 65°F (18°C) and the POOL and SPA maximum temperature settings will be 104°F (40°C). These setpoints will need to be readjusted to desired settings. Other default configurations are also applied.

Status and Diagnostics

The LCD displays a variety of status and diagnostic messages, depending on the operating conditions.

The following status messages are displayed in Pool, Spa, and Remote modes when there are no active fault conditions.

Display	Condition
No Demand	Water temperature is equal or above setpoint.
Verifying Water	2-min wait for water pressure/flow
Pre-Purge	Call-for-heat established.
Spark	Spark operating.
Heating	Flame present. Unit is heating.
Post-Purge	Heating is terminated. Unit cool down.

Table O. Heater Status Messages

The following conditions are displayed in Pool, Spa and Remote modes when there are active fault conditions.

Display	Condition
No Communication With Ignition	Unable to communicate User Interface with Ignition board. Check P7 and harness wires.
In Sensor Fault	Water Inlet thermistor temperatures disagree by more than 3°F (1.5°C).
In Sensor Open	Water Inlet thermistor sensor failed open. Below 6°F (-14°C).
In Sensor Short	Water Inlet thermistor sensor failed short. Above 188°F (86.5°C).
Out Sensor Open	Water Outlet thermistor sensor failed open. Below 6°F (-14°C).
Out Sensor Short	Water Outlet thermistor sensor failed short. Above 188°F (86.5°C).
Flue Sensor Open	Flue temp sensor failed open. Above 464° F (240°C).
Flue Sensor Shrt	Flue temp sensor failed short. Below 7.5°F (-13.5°C).
Flow Sensor Fail	When equipped, Flow sensor readings are out of range (0 to 100 GPM).
Flame w/o CFH	Board is sensing flame when gas valve is commanded shut.
Gas Valve Fault	Gas valve is sensed to be ON when commanded OFF. 60-min. soft lockout.
Pump Ctl Fail	When equipped, Protégé Pump Control is enabled but not responding to commands.
WChem Brd Fail	When equipped, Chemistry board is enabled but not responding to commands.
Diff Sw Closed	Control is sensing Differential pressure switch closed when Fan is not commanded.
Diff Sw Open	Fan is commanded for 10-seconds without differential switch closing.
Internal Fault or EEPROM Fault	Memory fault. Reset setpoints or replace board if fault does not clear.
Clock/Fireman Sw	Time clock/fireman switch circuit is open.
Low Temp Lockout	Water temperature is below 36°F (2°C).
Low Voltage	Controller is receiving supply voltage below 23 VAC.
Sensor Misplaced	Check inlet and outlet sensor installation.

Table P. Heater Status Messages - Active Faults

The following conditions are displayed only while there is a demand for heat present.

Display	Condition
Flame Lost	Flame was not detected when heating.
Water Sw Open	Water pressure switch open.
Vent Sw Open	Vent air switch open. Check for vent obstructions.
Hi Limit 1 Fault	High-Temp. limit 1 open. Press MODE key to remove lockout. Check water flow.
Hi Limit 2 Fault	High-Temp. limit 2 open. Press MODE key to remove lockout. Check water flow.
Cabinet Temp Lm	Cabinet Temp. limit open.
Air SW Open	Air pressure switch open. Check air inlet obstruction.
Fan Lockout	3 air switch faults within same heat demand cycle. Power must be cycled to clear the fault.
Diff Sw Fault	Differential Pressure switch failed open. Check fan operation and main power supply.
Ign Try Failure	Unit failed to ignite on first or second try. Check gas supply.
Ign 60 min Delay	Gas valve failed 3 times in single call-for-heat. Unit is locked out for 60-min.
Ignition Lockout	When available, Single-try ignition failed and Lockout. Power must be cycled to clear the fault.
Flue Over Temp	Flue temperature was higher than 390°F (199°C). Power must be cycled to clear the fault.
Remote Wire Err	While Remote mode is active, both Spa and Pool inputs are energized.
Outlet Over Temp	Outlet Temp was higher than 180°F (82.0°C). Check water flow.
Low Flow Fault	Low flow conditions are detected in the heater. Possible scaling.
High Flow Fault	High flow conditions are detected in the heater. Possible condensation.
Flue Low Temp	Flue temperature is below 175°F (79.5°C). Warning: Possible condensation.
Flue Extreme Low	Flue temperature is below 140°F (60 °C). Service required. Press MODE to remove lockout.
Call Service	Fan Lockout, Ignition Lockout or Flue Extreme Low Temperature occurred 3-times in 48-hours. Contact Service support.

Table Q. Heater Status Messages - Demand for Heat

See Troubleshooting guides on pages 49 and 50 for diagnosis.

⚠ WARNING The ability to properly perform service on this equipment requires certain expertise, mechanical skills, tools, and equipment. If you do not possess these, do not attempt to perform any service on this equipment other than those procedures recommended in this Manual.

Remote Mode Selector - Installation and Operation

⚠ CAUTION: Before installing remote controls to the heaters, read the following: **The Heater is remote-ready. The digital display shows the actual pool temperature, operating status, and service messages. See Figure 54. The touch keys on the control panel allows you to select the desired pool or spa temperature. It also indicates when a remote system is controlling the heater by displaying Remote in the display. When connecting the heater to a remote system, identify whether it is a two- or three-wire remote system. Select the appropriate instruction listed below to properly install the remote to the heater.**

Remote Mode Selector

The heaters are equipped with the ability to work with external remote controls and automation systems. The supplied 3-pin remote wiring connector supplies power out to either a toggle switch or the switch contacts of a third-party remote. The remote works by either making or breaking the circuit created by the remote wiring. Typically, a remote does not supply power to the heater, it only provides a switching function to turn the heater On or Off. If your remote is supplying its own voltage to the heater, it will not work with this heater and may damage the digital circuit board.

For operation of the heater using the on-board thermostatic controls with a time clock see **"Time Clock/Fireman's Switch"** section on page 38.

REMOTE MODE ENABLED

Remote OFF Water Temp 68F	Remote OFF No Demand
Remote SPA 90F Water Temp 68F	Remote SPA 90F Heating
Remote Pool 85F Water Temp 85F	Remote Pool 85F No Demand

Figure 54. Operation Modes

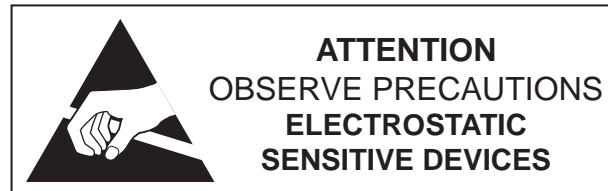
Activating the Remote

To activate or deactivate the remote function, press and hold the UP and DOWN arrow keys simultaneously for 3 to 5 seconds.

The first line in the LCD displays "Remote" and "Off", "Pool" or "Spa" and the temperature setpoint. The second line of the LCD displays "Water Temp" and water temperature alternating with heater status message. See **page 34**.

NOTE: When in remote operation, the keypad mode and temp buttons are disabled.

Remote Control Wiring



⚠ CAUTION: Electrostatic Discharge (ESD) damage can be caused by direct or indirect contact with the wiring or circuit board. When one walks to the heater area, an electrostatic charge accumulates on the body. Contact of a finger allows the body to discharge, possibly causing device damage. This damage can be limited if the service person discharges himself, following ESD preventive/removal practices, and holds on to the heater enclosure for 5-seconds before proceeding.

Important Installation Notes for Remote or External Wiring Configuration:

- Remote wiring must be run in a separate conduit.
- Remote wiring must not be run parallel to high voltage lines.
- For runs of under 30' (9 m), remote wiring should have stranded conductors with a minimum of 22 AWG, 600V, cable twisting 1.5" to 2.5" (3.8 to 6.4 cm) lay and jacketed.
- For runs over 30' (9 m), the conductors should be a minimum of 20 AWG, 600V, cable twisting 1.5" to 2.5" (3.8 to 6.4 cm) lay that is shielded and jacketed.
- Maximum cable length is 200' (61 m).
- For both two- and three-wire remote systems, the provided 3-pin wiring connector must be utilized.

NOTE: The remote wires must be connected to the 3-wire remote interface harness before the connector is plugged into the board.

2-Wire Remote Control (On-Off)

This application assumes that only one heating function (pool or spa) is required.

1. Turn on power to the heater.
2. For a 2-Wire Remote Control from a remote controller without its own sensor, push the MODE key to the "POOL" or "SPA" mode and set the desired setpoint (e.g. 102°F (39°C) for Spa).
3. For a 2-Wire Remote Control from a remote controller with its own sensor, push the MODE key to select "POOL" or "SPA" mode and set the temperature to the highest setting available on the control. The actual setpoint will be controlled by the remote controller.
4. Turn the MODE button to "OFF" and remove power from the heater.
5. On the "Remote Interface Harness", connect the BLUE wire to one side of the "REMOTE" switch and connect the other side to either the ORANGE/BLACK wire for "SPA" operation or the BLACK/ORANGE wire for "POOL" operation. See **Figure 57**.
6. Attach wire nut on the unused wire to the "Remote Interface Harness."
7. Install the "3-wire Remote Control Harness" to the P8 connector and turn power "ON" to the heater. See **Figure 57**.

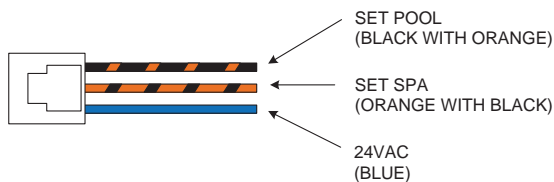


Figure 55. 3-Wire Remote Interface Harness

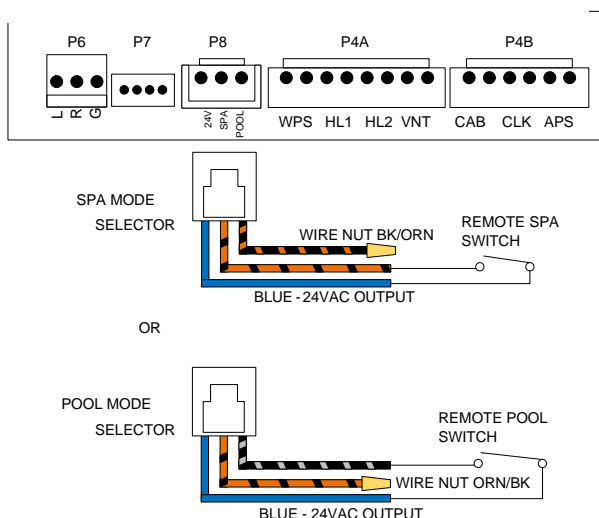


Figure 56. 2-Wire Remote Harness Installation

3-Wire Remote Control Using Three-Position Selector (Pool-Off-Spa, or Low-Off-High)

This application assumes that both heating functions (pool and spa) are required.

1. Turn on power to the heater.
2. Push the MODE key to the "POOL" or "SPA" mode and set the desired temperature for each (e.g. 80°F (27°C) for Pool and 102°F (39°C) for Spa).
3. Turn the MODE key to "OFF" and remove power from the heater.
4. On the 3-wire "Remote Interface Harness" connect the BLUE wire to one side of the "REMOTE" switch and connect the ORANGE/BLACK wire for "SPA" operation and the BLACK/ORANGE wire for the "POOL" operation. See **Figure 57**.
5. Install the 3-wire "Remote Interface Harness" to the P8 connector and turn power ON to the heater. See **Figure 57**.

For activation of the remote control, see "**Activating the Remote**" on page 36.

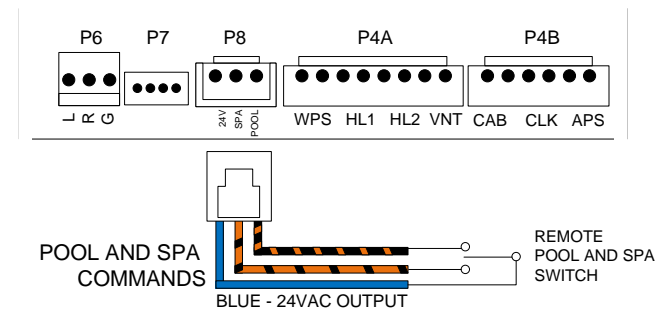


Figure 57. 3-Wire Remote Harness Installation

Time Clock/Fireman's Switch

To operate the heater with a time clock, connect the timer to the clock/fireman's switch connection in the heater's wiring.

The time clock should be of the dual-switch type and set to "shutoff the call-for-heat" to the pool heater 15 to 20 minutes prior to shutting down the pool pump.

The fireman's switch connection is located at the power junction box. Splice into the Purple wire jumper tagged ["Where necessary add "Fireman's switch circuit here"] to connect the time clock. See **Figure 58**.

The fireman's switch connection must be a dry contact and must not supply power to the heater. Powering the fireman's switch connection externally may damage the heater, and is not covered by warranty.

Do not exceed 50' (15 m) of total wiring using 18 AWG stranded copper wire rated for 221°F (105°C) minimum.

NOTE: When using a time clock, the heater will display "Clock/Fireman Sw" when the fireman's switch is open, indicating that the time clock has shutoff the call-for-heat.

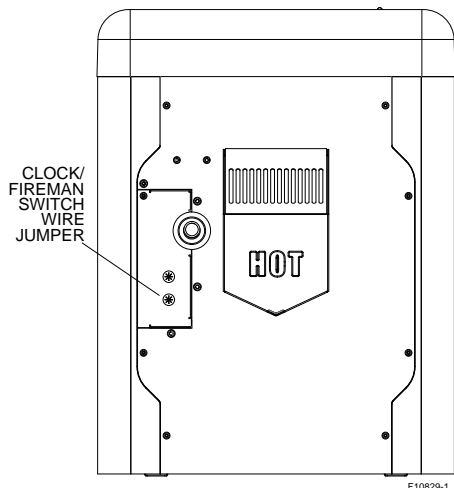


Figure 58. Clock/Fireman Switch Wire Location

Water Pressure Switch Adjustment

When the heater is located below the level of the spa or pool, it may be necessary to adjust the pressure switch to compensate for the no-flow static head. If it is necessary to adjust the water pressure switch, do the following:

1. Make sure the pool filter is clean before adjusting the switch.
2. Set the heater control to the OFF mode.
3. Turn the filter pump ON and confirm that the pressure switch is closed (use a multimeter to check). If the pressure switch fails to close, either the switch setting is too high or not enough pressure is being supplied by the filter pump.
4. Turn the heater ON.
5. Manually turn the pressure adjustment knob clockwise until the heater shuts off. (A flat screwdriver may be necessary if knob is too tight.)
6. Slowly turn the adjustment knob counter-clockwise until the heater calls-for-heat again.
7. Turn an additional 1/2 turn counter-clockwise.
8. While the heater is running, check the adjustment by turning the pump off and on several times. The burners should shut off immediately when the pump is turned off. If it does not, repeat the above steps until proper operation is observed.

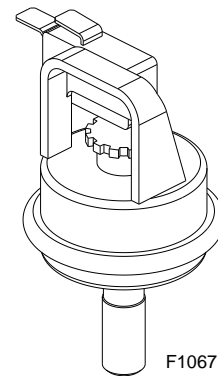


Figure 59. Water Pressure Switch Assembly

Water Pressure Switch

The water pressure switch ensures that the heater operates only when the filter pump is in operation. It is located on the In/Out header. It is factory-set at 1.75 PSI for deck level installation.

NOTE: The sheet metal access panels should be in place at all times to protect the water pressure switch from rain and other environmental factors.

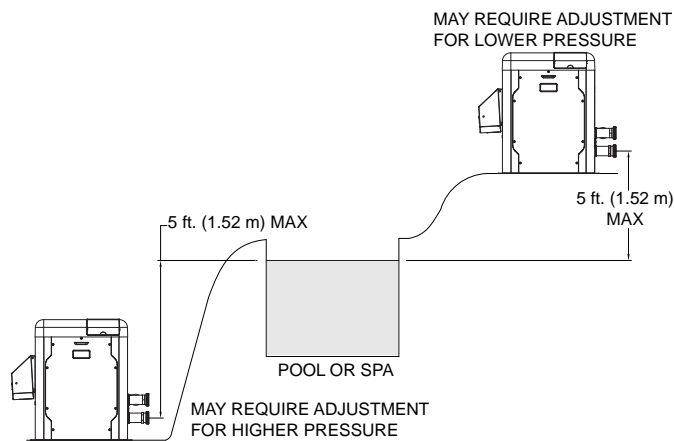


Figure 60. Pressure Switch Adjustment Requirements

NOTE: If heater is installed outside of the limits shown, a higher-pressure rated (11 psi / 76 kPa) switch may be used. A flow switch, mounted and wired adjacent to the heater, may be used in place of the factory-mounted pressure switch. See "Illustrated Parts List" on page 84 for 11 psi / 76 kPa water pressure switch.

Two-Speed and Variable Speed Pumps

In some cases, the flow on the low-speed is insufficient to operate the heater. This is apparent when the water pressure switch cannot be further adjusted or if the heater makes banging noises or shuts off on high limit. In these cases, the pump must be run at high speed when heating the water.

CAUTION: Do not operate the heater without the function of a properly-adjusted water pressure switch or flow switch.

Cabinet Limit Switch

Heaters are equipped with a cabinet limit switch to prevent the overheating of the components inside the cabinet in case of any flue gas leakage from combustion chamber. It is a "manual-reset" type switch that must be reset by the service technician after making sure any leaks or damage to the unit has been fixed.

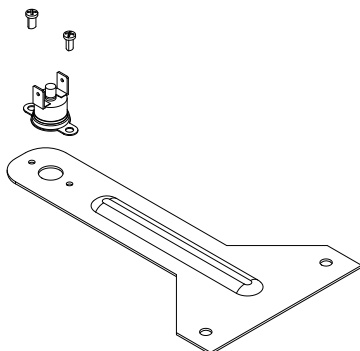


Figure 61. Cabinet Limit Switch – Manual-Reset

High Limits

The heater is equipped with two high limits, both are automatic and are located in the inlet/outlet header. Although both limits are preset to auto-reset, the control board will request the operator to press "MODE" key if either limit is tripped while the heater is running.

NOTE: An erratic high limit is often characteristic of an internal heat exchanger problem, e.g. scale build-up, or defective bypass. Refer to "Troubleshooting" on page 48.

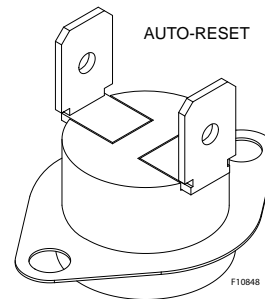


Figure 62. High Limit Switch

High Limit Removal

1. Shut off main electrical power switch to heater.
2. Remove inlet/outlet sheet metal access panel.
3. Remove defective high limit and replace with the correct, new high limit.
4. Replace access panel.

Adjusting Valve Manifold Pressure

1. Remove the cap to gain access to the adjustment screw.
2. Turn the adjustment screw clockwise to increase pressure. (For example, at -0.6" WC turning clockwise will increase the pressure to -0.5" WC, -0.4" WC, etc.)
3. The manifold pressure should be negative -0.30 "WC (+/- 0.20 "WC) while running. If a combustion analyzer is available, the O₂ reading should be between 4.5 - 5.5% O₂ while running.
4. Install the cap before reading the manifold pressure.

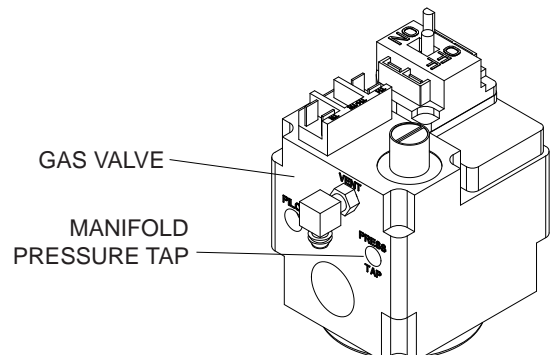
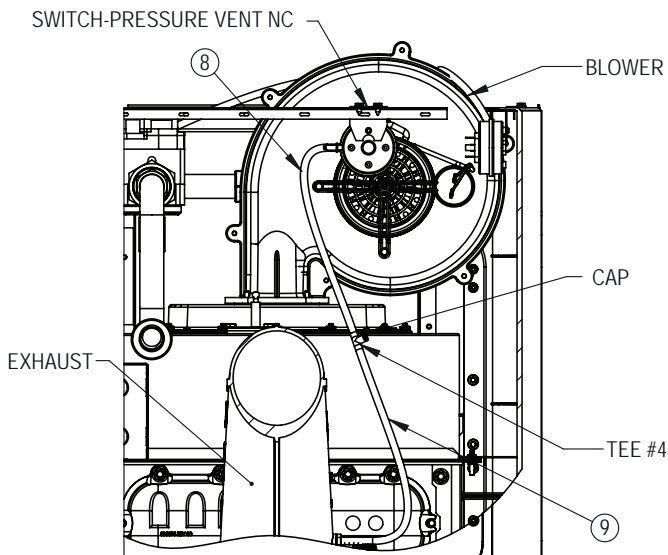
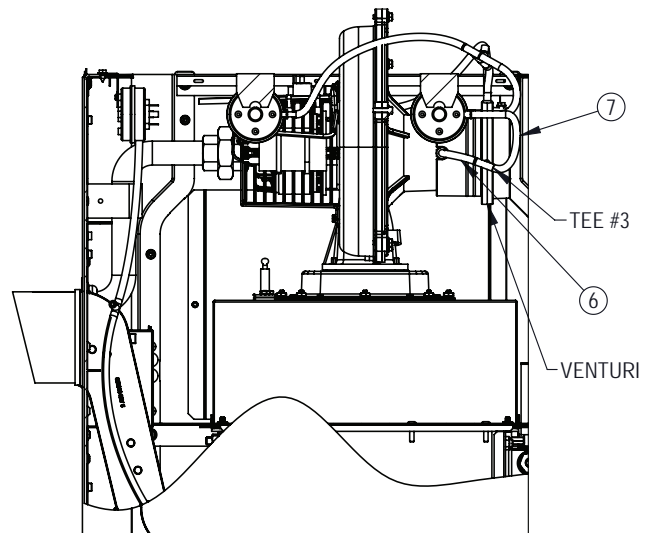
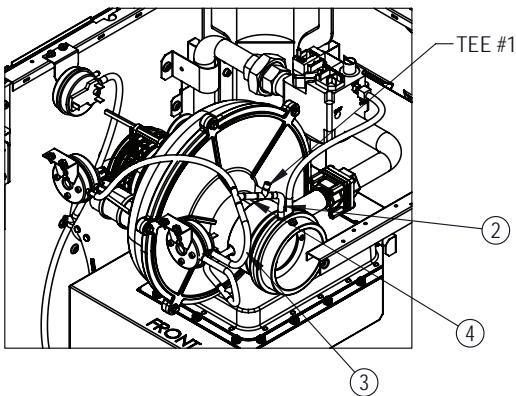
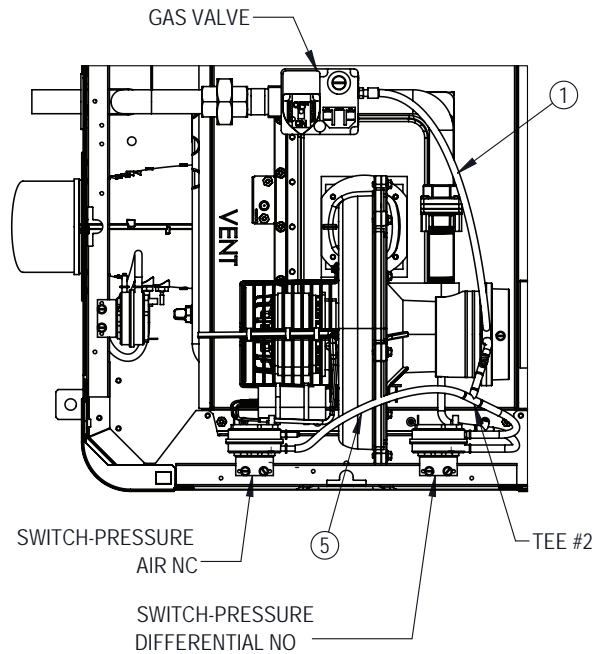
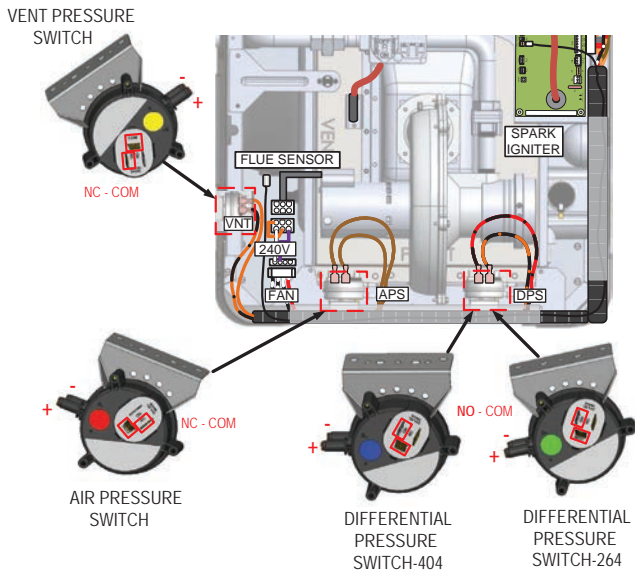


Figure 63. Manifold Pressure Adjustment

Air Pressure Switches and Hoses

Use next illustration as reference to check correct connection of air pressure switches and hoses.



1/4 HOSE ROUTING		
HOSE #	TO	FROM
1	GAS VALVE (VENT)	VENTURI (SUCTION #1)
2	TEE #1	VENTURI (SUCTION #2)
TEE #1	HOSE #3 & 4	HOSE #2
3	DPS (+SIDE)	TEE #1
4	TEE #2	TEE #1
TEE #2	HOSE #5 & CAP	HOSE #4
5	APS (-SIDE)	TEE #2
6	TEE #3	BLOWER
TEE #3	HOSE #7 & CAP	HOSE #6
7	DPS (-SIDE)	TEE #3
8	VENT SWITCH (+SIDE)	TEE #4
9	TEE #4	EXHAUST
TEE #4	HOSE #9 & CAP	HOSE #8

Orifice Removal

1. Locate and close the external manual shutoff valve.
2. Loosen the external gas union.
3. Locate and remove jacket top.
4. Locate and remove the four (4) bolts & nuts holding the gas orifice in place. See **Figure 64**.
5. Carefully remove the gas orifice and do not misplace the O-rings attached to the flanges.
6. Inspect and/or replace the orifice with the correct size.

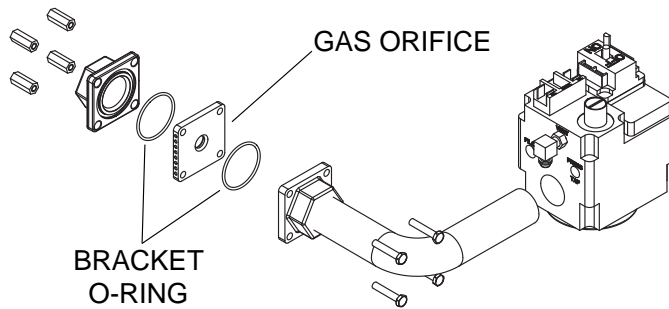


Figure 64. Orifice Location

Gas Orifice Selection

Use **Table R** for the right gas orifice selection. Propane orifices can be identified by the black paint on the edges. The notches should face up for easy identification.

The gas orifice is located on the gas train, between the gas valve and the combustion blower.

NOTE: Gas orifices for propane gas have a black oxide finish.

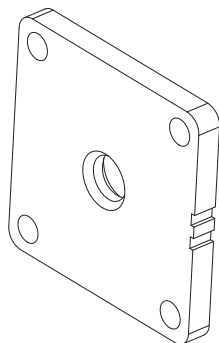


Figure 65. Gas Orifice

Pockets / Notches	Model	Gas Type	Finish
1	264	Natural	None
2	404		
1	264	Propane	Black
2	404		

Table R. Gas Orifice Selection

Igniter Removal.

1. Remove top cover.
2. Disconnect spark cable from igniter.
3. Use M10 socket, remove the two nuts holding the igniter.
4. Carefully remove igniter and gasket.
5. When replacing igniter, be sure to add a new gasket when installing igniter.

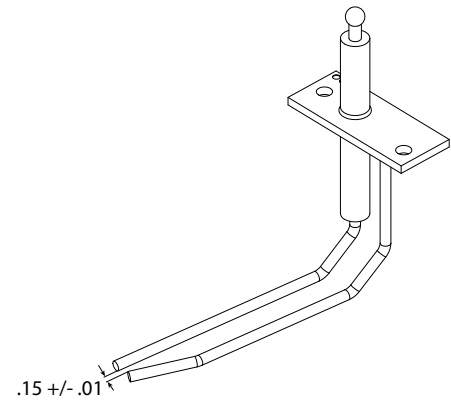


Figure 66. Igniter

Burner Removal

1. See “Combustion Blower Removal” steps below. Must remove blower to reach the burner.
2. Once the blower is removed. Use an M10 socket to remove (16) nuts holding down the burner.
3. Be sure to install a new gasket before installing the burner.

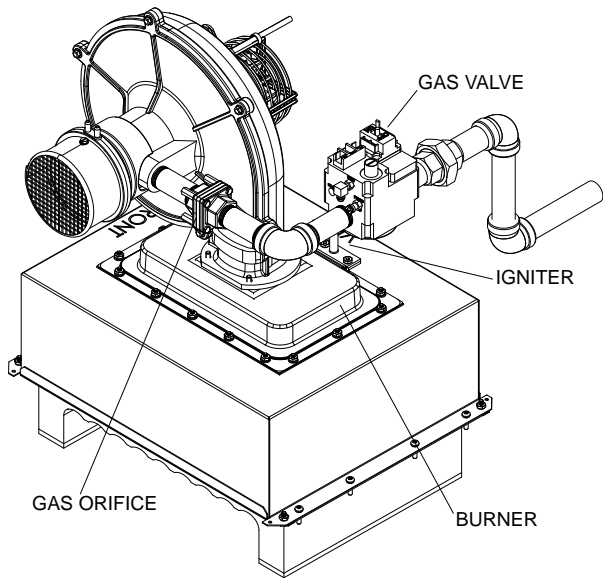


Figure 67. Burner/Gas Train

Combustion Blower Removal

1. Shut off main electrical power switch to heater.
2. Shut off gas upstream of heater.
3. Remove top cover.
4. Disconnect gas line from gas valve by unscrewing union fitting along the gas train.
5. Disconnect the supply power connector from the blower.
6. Disconnect 24V power leads from gas valve.
7. Remove suction hoses from the venturi and blower.
8. Use M10 socket to remove (4) nuts from base of the blower. Then lift and remove blower.

Gas Valve Removal

1. Shut off gas supply to heater.
2. Remove top cover.
3. Unscrew the union fitting on gas train.
4. Remove the 24V power leads from the gas valve.
5. Remove tracking hose from the gas valve to the venturi.
6. Use a pipe wrench to hold the other end of the gas train (pipe connected to blower), while using another pipe wrench to torque the gas valve counterclockwise and remove from assembly. Alternatively, you can remove the gas orifice flange to access the valve gas train.

Heat Exchanger Removal

1. Shut off water, gas, and power to unit. Release any pressure in water lines. Then remove water connections to heater.

2. Remove top cover. Disconnect power leads from rocker switch along with the cable attached to the user interface. Then set cover aside. (*It will be easier to work on heater with the cover totally removed but might not be necessary*).
3. Perform the steps in "Combustion Blower Removal".
4. Use Philips head screwdriver to remove screws from all jacket panels.
5. Use a Philips head screwdriver to remove (8) machine screws along the side of the combustion chamber (there are 4 on each side), and the two (2) sheet metal pieces that hold the combustion box to the side panels.
6. Carefully lift top combustion chamber from the base and remove it from the heater.
7. Use 1/2" socket to remove (8) nuts from the side brackets that hold the heat exchanger onto the base (there are 2 nuts per bracket).
8. Use a crescent wrench to remove the (2) water temperature sensors on the side of the main header.
9. Remove the (4) wire leads connected to the high limit switches.
10. Lift the heat exchanger and remove from unit.

Tube Cleaning Procedure

Establish a regular inspection schedule, the frequency depending on the local water conditions and the severity of service. Do not let the tubes clog up solidly. Clean out deposits over 1/16" (1.6 mm) in thickness.

The heater may be cleaned from the return header side, without breaking pipe connections. It is preferable, however, to remove both headers for better visibility through the tubes and to be sure the ground-up lime dust does not get into the system.

After reaming, mount the wire brush in place of the auger and clean out debris remaining in the tubes.

Another method is to remove the heat exchanger, ream tubes and immerse heat exchanger in non-inhibited de-scale solvent for severe scale build-up.



Figure 68. De-Liming Cleaning Kit (#052871F)

Desooting Procedure

⚠ WARNING: Soot Is Combustible. Exercise Extreme Care.

Soot will clog areas between fins and cause eventual tube failure. Any sign of soot at the base of the burners or around the outer jacket indicates a need for cleaning.

1. Follow the heat exchanger removal process as shown in "Heat Exchanger Removal" section.
2. The heat exchanger has a baffle on the sides, or the bottom, depending on the model size, which has to be removed.
3. Remove the heat exchanger from the unit and wash with a garden hose, making sure soot is removed from the spaces between the fins.
4. Reverse the heat exchanger removal procedure to reinstall.

NOTE: In extreme cases it may be necessary to do steam cleaning at the local car wash. DO NOT WIRE BRUSH.

Heat Exchanger Reinstall

It is highly recommended to replace the top combustion chamber with the refractory during the heat exchanger reinstallation process. Failing to do so can result in damage to the heater and potential dangerous operating conditions. See **Figure 69**.

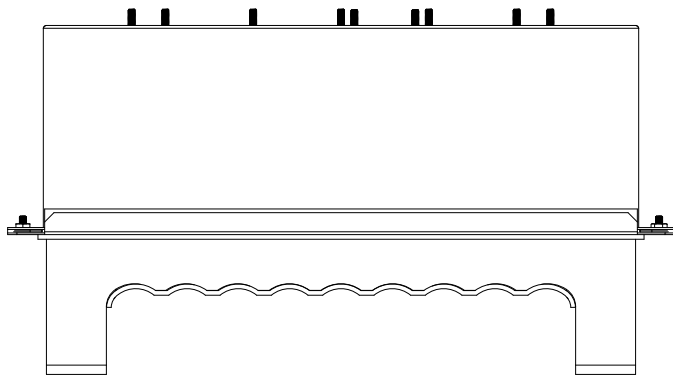


Figure 69. Top Combustion Chamber

Unitherm Governor (U.G.) Replacement

1. Shut off water, gas and electricity, close valves and relieve pressure.
2. Drain heat exchanger.
3. Remove retainer plug located next to the outlet pipe connection.
4. Unsnap old U.G. to remove from retainer plug. Snap in new U.G.

5. Reinstall retainer plug, taking care to lubricate gasket with a non-petroleum based grease such as AquaLube.

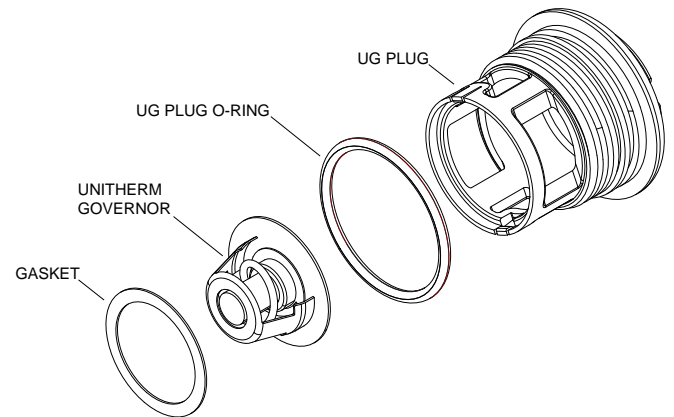


Figure 70. Unitherm Governor

To test the operation of the Unitherm Governor, place in hot water over 120°F (49°C), and watch for movement against spring. If there is no movement, replace the UG.

⚠ WARNING: When removing the burners or heat exchangers, take precautions to avoid creating airborne dust and avoid inhaling airborne fibers. When cleaning spills, use wet sweeping or High Efficiency Particulate Air (HEPA) filtered vacuum to minimize airborne dust. Use feasible engineering controls such as local exhaust ventilation or dust collecting systems to minimize airborne dust. Wear appropriate personal protective equipment including gloves, safety glasses with side shields, and appropriate NIOSH-certified respiratory protection, to avoid inhalation of airborne dust and airborne fiber particles.

8. OPERATING INSTRUCTIONS

Before Start-Up

Burners

Keep heater area clear and free from combustibles, flammable liquids and chemicals. Do not obstruct the flow of combustion and ventilation air.

Water

Water must be flowing through the heater during operation. Ensure that the system is filled with water and that the pump is operating. The heater should always have a minimum of 40 GPM (151 lpm) water flowing through it.

Start-Up Procedures

Your pool and spa heater has been designed for years of safe and reliable pool/spa water heating. It is available with electronic ignition only. This manual provides installation, operation, maintenance, and service information for these heaters.

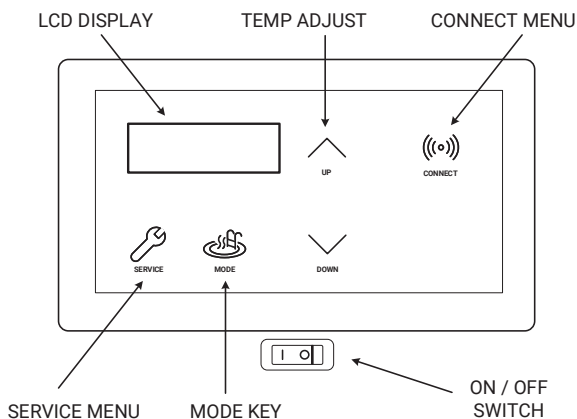


Figure 71. Heater Control Toggle Switch

If your heater has been installed correctly, operating the heater is an easy task. The upper front panel of the heater contains the control center that allows you to turn the heater On or Off and adjust the temperature settings for the pool or spa. The temperature range is factory-set from 65°F (18°C) to 104°F (40°C). See **Figure 71** for location of toggle switch to turn the heater On and Off.

See "**Controls**" section on page 27 for additional details about the use of the controls in the Control Adjustments subsection.

After Start-Up

Feel the inlet and outlet pipes. Outlet pipe should be only slightly warmer than the inlet. It should not be hot.

⚠ WARNING: Should overheating occur or the gas supply fail to shut off, turn off the manual gas control to the appliance.

⚠ AVERTISSEMENT: En cas de surchauffe ou si l'alimentation en gaz ne s'arrete pas, fermez manueiement ie robinet d'arret de l'admission de gaz.

Water Pressure Switch

A water pressure switch is provided in the heater to shut off the burners in the event that water supply is interrupted. It is very important to verify that the switch electrically opens and shuts off the gas valve when water flow to the heater is interrupted. Otherwise, rapid and severe damage will likely occur to the heater.

The water pressure switch should be checked and adjusted for proper operation by a qualified service person at the time of installation and periodically checked thereafter. Refer to "**Water Pressure Switch Adjustment**" on page 38.

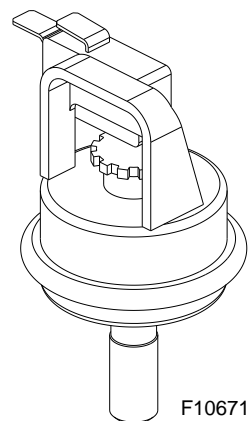


Figure 72. Water Pressure Switch

⚠ WARNING: Operation of the heater without water circulation will cause rapid and severe damage to the heater, which will not be covered under warranty.

OPERATING INSTRUCTIONS AND SHUTOFF PROCEDURES - DIRECT IGNITION SYSTEMS

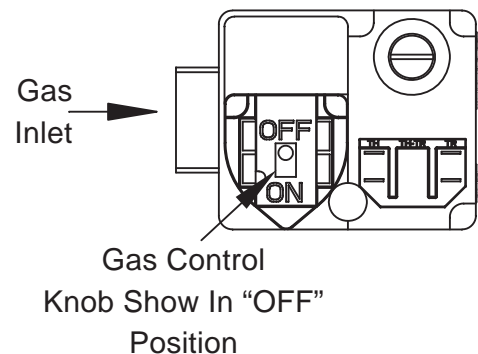
FOR YOUR SAFETY READ BEFORE LIGHTING

⚠ WARNING: If you do not follow these instructions exactly, a fire or explosion may result causing property damage, personal injury or loss of life.

- A. This appliance does not have a pilot. It is equipped with an ignition controller which automatically lights the burner. **DO NOT** try to light the burner by hand.
- B. **BEFORE OPERATING** smell all around the appliance area for gas. Be sure to smell next to the floor because some gas is heavier than air and will settle on the floor.\
- WHAT TO DO IF YOU SMELL GAS:
- Do not try to light any appliance.
 - Do not touch any electric switch; do not use any phone in your building.
 - Immediately call your gas supplier from a neighbor's phone. Follow the gas supplier's instructions.
 - If you cannot reach your gas supplier, call the fire department.
- C. Use only your hand to turn the gas control ON or OFF. Never use tools. If you cannot change the ON/OFF setting by hand, do not try to repair it, call a qualified service technician. Force or attempted repair may result in a fire or explosion.
- D. Do not use this appliance if any part has been under water. Immediately call a qualified service technician to inspect the appliance and to replace any part of the control system and any gas control which has been under water.

LIGHTING INSTRUCTIONS

1. STOP! Read the safety information above on this label.
2. Set the thermostat to the lowest settings.
3. Turn off all electric power to the appliance.
4. This appliance does not have a pilot. It is equipped with an ignition device which automatically lights the burner. **Do not try to light the burner by hand.**
5. Remove the heater's top panel.
6. Pull toggle style switch away from you to turn gas "OFF".
7. Wait five (5) minutes to clear out any gas. Then smell for gas, including near the floor. If you smell gas STOP! Follow "B" in the safety information above on this label. If you don't smell gas, go to the next step.
8. Push the toggle switch towards you to turn the gas "ON".
9. Replace heater door panel.
10. Turn on all electric power to the appliance.
11. Set thermostat to desired setting.
12. If the appliance will not operate, follow the instructions "To Turn Off Gas To Appliance" and call your service technician or gas supplier.



TO TURN OFF GAS TO APPLIANCE

1. Set the thermostat at the lowest setting.
2. Turn off all the electrical power to the appliance if service is to be performed.
3. Remove the heater's top panel.
4. Pull toggle style switch away from you to turn gas "OFF".
5. Replace heater door panel.

INSTRUCTIONS D'UTILISATION ET PROCÉDURES D'ARRÊT MODÈLES NUMÉRIQUES À ALLUMAGE ÉLECTRONIQUE SYSTÈME D'ALLUMAGE DIRECT

POUR VOTRE SÉCURITÉ LISEZ AVANT DE METTRE EN MARCHÉ

AVERTISSEMENT: Quiconque ne respecte pas à la lettre les instructions dans la présente notice risque de déclencher un incendie ou une explosion entraînant des dommages, des blessures ou la mort.

- A. Cet appareil ne comporte pas de veilleuse. Il est muni d'un dispositif d'allumage qui allume automatiquement le brûleur. Ne tentez pas d'allumer le brûleur manuellement.
- B. AVANT DE FAIRE FONCTIONNER, renifllez tout autour de l'appareil pour déceler une odeur de gaz. Renifllez près du plancher, car certains gaz sont plus lourds que l'air et peuvent accumuler au niveau du sol.

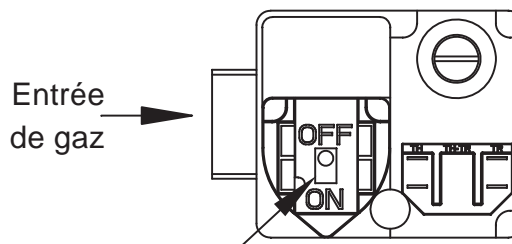
QUE FAIRE SI VOUS SENTEZ UNE ODEUR DE GAZ:

- Ne pas tenter d'allumer d'appareil. Ne touchez à aucun interrupteur; ne pas vous servir des téléphones se trouvant dans le bâtiment.

- Appelez immédiatement votre fournisseur de gaz depuis un voisin. Suivez les instructions du fournisseur.
- Si vous ne pouvez rejoindre le fournisseur, appelez le service des incendies.
- C. Ne poussez ou tournez la manette d'admission du gaz qu'à la main; ne jamais utiliser d'outil. Si la manette reste coincée, ne pas tenter de la réparer; appelez un technicien qualifié. Le fait de forcer la manette ou de la réparer peut déclencher une explosion ou un incendie.
- D. N'utilisez pas cet appareil s'il a été plongé dans l'eau, même partiellement. Faites inspecter l'appareil par un technicien qualifié et remplacez toute partie du système de contrôle et toute commande qui ont été plongés dans l'eau.

INSTRUCTIONS DE MISE EN MARCHÉ

1. ARRETEZ! Lisez les instructions de sécurité sur la portion supérieure (à gauche) de cette étiquette.
2. Réglez le thermostat à la température la plus basse.
3. Coupez l'alimentation électrique de l'appareil.
4. Cet appareil ne comporte pas de veilleuse, Il est muni d'un dispositif d'allumage qui allume automatiquement le brûleur. Ne tentez pas d'allumer le brûleur manuellement.
5. Retirez le panneau de porte du radiateur.
6. Tirez l'interrupteur à bascule loin de vous pour allumer le gaz "OFF".
7. Attendez cinq (5) minutes pour laisser échapper tout le gaz. Renifllez tout autour de l'appareil, y compris près du plancher, pour déceler une odeur de gaz. Si vous sentez une odeur de gaz, ARRETEZ! Passez à l'étape B des instructions de sécurité sur la portion supérieure (à gauche) de cette étiquette. S'il n'y a pas d'odeur de gaz, passez à l'étape suivante.
8. Poussez l'interrupteur à bascule vers vous pour tourner le gaz "ON".
9. Remplacez panneau de porte du radiateur.
10. Mettez l'appareil sous tension.
11. Réglez le thermostat à la température.
12. Si l'appareil ne se met pas en marche, suivez les instructions intitulées. Comment couper l'admission de gaz de l'appareil? appelez un technicien qualifié ou le fournisseur de gaz.



Le bouton de contrôle du gaz montre en position "OFF"

COMMENT COUPER L'ADMISSION DE GAZ DE L'APPAREIL

1. Réglez le thermostat au réglage le plus bas.
2. Coupez toute l'alimentation électrique de l'appareil si le service doit être effectué.
3. Retirez le panneau de porte du radiateur.
4. Tirez l'interrupteur à bascule loin de vous pour tourner le gaz "DÉSACTIVÉ".
5. Remplacez le panneau de porte du radiateur.

9. MAINTENANCE AND CARE

⚠ WARNING: Check the heater for possible rodent nests after long periods of non-use.

Perform the following maintenance operations one year after initial start-up and then semi-annually.

1. Inspect and operate all controls, gas valve and pressure relief valve (if equipped).
2. On indoor heaters, clean room intake openings to ensure adequate flow of combustion and ventilation air.

⚠ CAUTION: Combustion air must not be contaminated by corrosive chemical fumes which can damage the heater. Such damage will not be covered under warranty.

3. Keep area around heater clear and free from combustible materials, gasoline and other flammable and corrosive vapors and liquids.

If Heater Will Not Fire:

If you have no electrical power, it may be that your “circuit breaker” has tripped. Try re-setting it.

If you have electrical power but the heater will not fire check the following or see **"Troubleshooting"** on page 48:

1. The time clock must be in the ON position.
2. Your pump strainer basket may be full. If so, remove debris.
3. Your filter may be dirty. If so, backwash or clean filter. (To tell if your filter is dirty, look to see if the filter pressure reading is higher than usual).
4. The pump may have lost its prime and be running dry. Check the pressure on the filter. If there is no pressure; then you are not moving water (or your gauge is broken). Try to get the pump to run at its normal flow rate.

Cold Weather Operation

Important Freeze Information

MODERATE CLIMATE: Heater operation can continue during short-term cold spells. When temperatures are between 0°F (-18°C) and 32°F (0°C), flow (continuous pump operation) must be maintained.

⚠ CAUTION: Do not use the heater to maintain water temperatures just above freezing or for freeze protection. When heater is used during freezing weather, care must be taken to avoid freeze-ups. Continuous pump operation is a must. Additional protection may be required. The heater is not warranted against freeze-ups.

COLD CLIMATE: Prolonged operation with water temperatures below 50°F (10°C) is not recommended. When starting the heater with water temperatures below 50°F (10°C), operate the heater continuously until higher temperatures are reached. Operating the heater for prolonged periods with pool water below 50°F (10°C) can seriously damage the heater, and is not covered by the warranty. For cold climate areas, please follow the winterizing procedures listed below.

Winterizing the Pool and Spa Heater

Heaters installed outdoors in freezing climate areas may be shut down for the winter. Observe the following procedure for winterizing the heater:

1. Turn off gas valve, manual gas valve, and electrical supply to the heater.
2. On the water connection, close any isolation valve to isolate the heater. Remove the lower right access panel to reveal the right side of the Inlet/Outlet header. The drain will be located underneath the header. Loosen and remove the drain plug. See **Figure 73**.

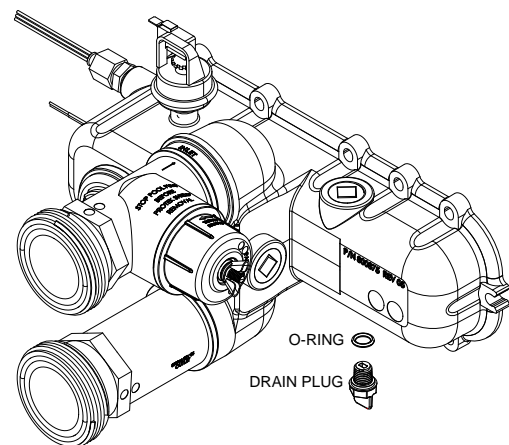


Figure 73. In/Out Header with Drain Plug

10. TROUBLESHOOTING

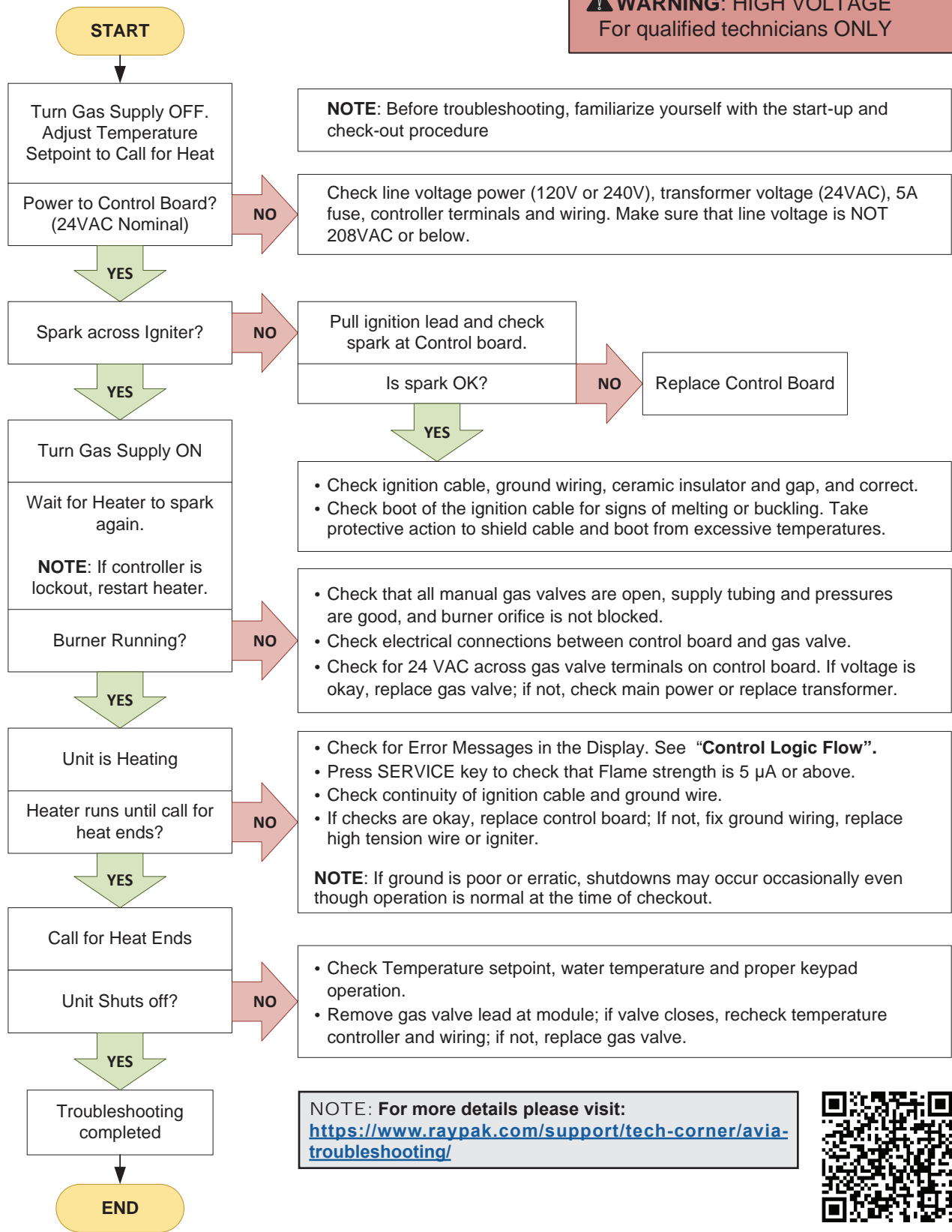
IMPORTANT NOTICE: These instructions are intended for the use of qualified personnel who are specifically trained and experienced in the installation of this type of heating equipment and related system components. Installation and service personnel may be required by some states to be licensed. Persons not qualified shall not attempt to install this equipment nor attempt repairs according to these instructions.

Problem	Possible Cause	Corrective Action
LCD text flickering or no text	Low or no voltage to control board	Check for 24VAC at control board P6. Check transformer wiring to 240V or 120V.
	Unitherm governor inoperative.....	Check movement by putting in hot water (above 120°F [49°C] or higher)
Harmonics, or whining noise	*Debris or restriction in system.....	Locate the restriction and remove. Flush system and clean
	*Debris in gas line.....	Remove debris or blow out gas line
	Low flow.....	Scale forming in heat exchanger - clean heat exchanger and check pool pH and total alkalinity
Heater going on and off continuously	Dirty filter	Clean or replace filter
	Low water level in pool	Raise water level
	External bypass setting out of adjustment.....	Adjust bypass
	Pressure switch out of adjustment.....	Adjust pressure switch
Liming or scale forming in exchanger	Pool water.....	See Water Chemistry on page 5
	Bypassing too much water	Inspect bypass for movement, if no movement, replace
	Unitherm governor not functioning	Replace if no movement when heated
Sooting	High flow rates.....	Reduce by adding manual bypass valve Adjust manual bypass valve until heater outlet water temp is between 105°F and 120°F (40°C and 49°C)
	Unitherm governor inoperative	Check movement by putting in hot water (above 120°F [49°C] or higher). If no movement, replace
	*Air starvation	Refer to installation instructions
	*Improper venting	Follow recommended installation instructions
	*Insects or debris clogging burner intake ports	Clean burners
Flame outage or Flame strength below 2 µA	Low gas pressure	Adjust gas pressure
	Restricted/dirty igniter.....	Clean igniter and burners
Takes too long to heat pool or spa	Under-sized heater.....	Calculate heating capacity of heater $\frac{\text{Htr. output (BTUH)}}{\text{Pool gallonage} \times 8.33} = \text{approx. degF rise/hr}$ or refer to heater sizing chart This does not take into account heat loss due to weather
	Filter not running long enough.....	Reset time clock
	Dirty filter	Clean filter
	Gas line or meter undersized	Refer to installation instructions. See page 18.
Leaking at heat exchanger	Overacid	Replace heat exchanger and maintain proper water chemistry
Gasket brittle and leaking - (overheated)	Heater running after pump shuts off.....	See Pressure Switch Adjustment, See page 38.
	Refractory damage.....	Replace refractory
	Sooted heater	Determine cause of sooting and correct
Fan not running, "Diff Sw Open" or "Fan Lockout"	Incorrect blower jumper.....	Check blower jumper matches 240V or 120V power supply.
	Fan relay.....	Check control board Fan relay terminals "Power" and "Blower". If relay is stuck open or close, replace control board.
	Fan Connection	Loose connection or failed motor. Prolonged exposure to power with the wrong blower jumper can damage the blower.

* Indicates symptom which usually occurs on initial start-up.

Operation and Troubleshooting - Flow Chart

⚠ WARNING: HIGH VOLTAGE
For qualified technicians ONLY



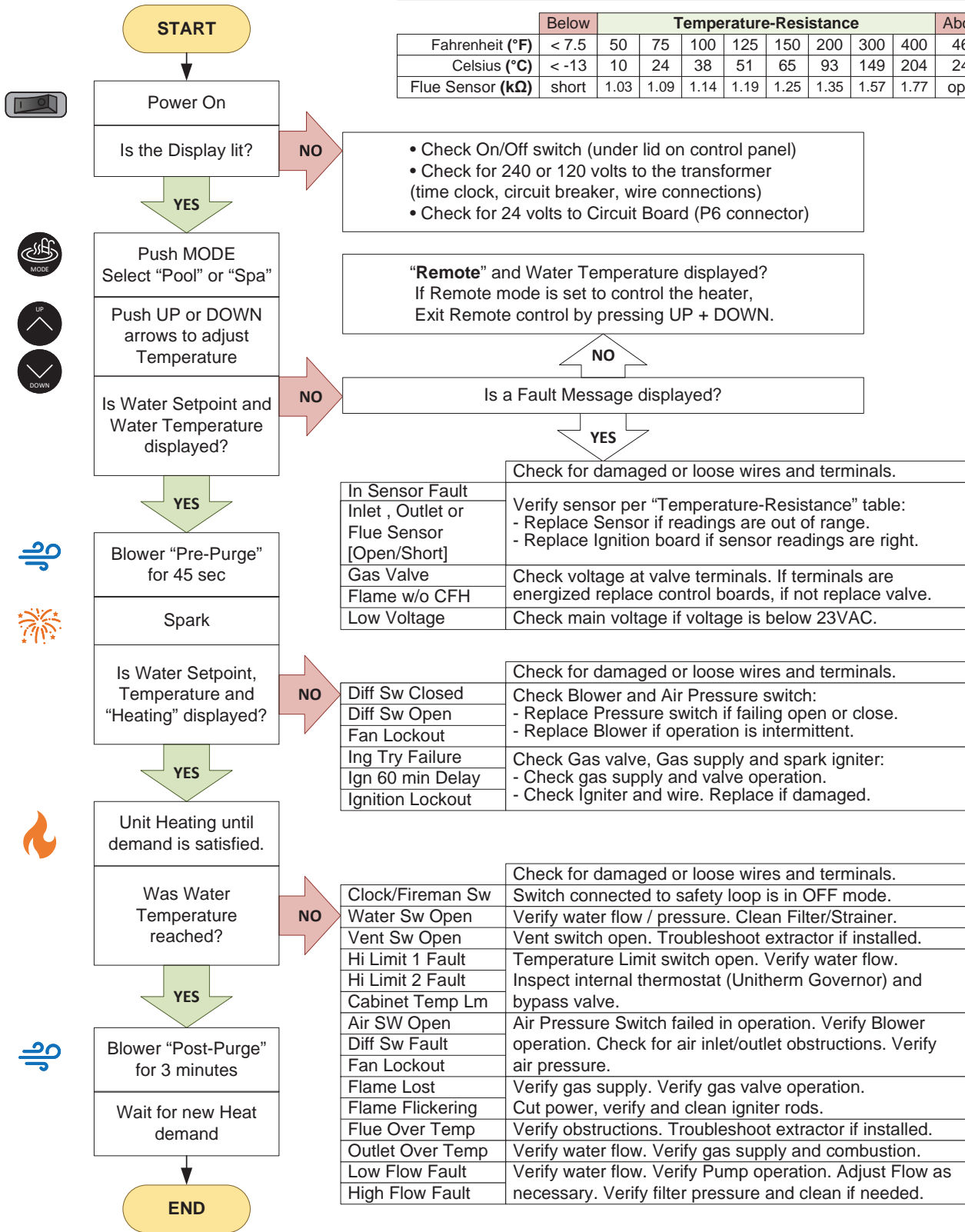
NOTE: For more details please visit:
<https://www.raypak.com/support/tech-corner/avia-troubleshooting/>



Control Logic - Flow Chart

	Below	Temperature-Resistance									Above
Fahrenheit (°F)	6.3	40	50	60	70	80	90	100	110	187	
Celsius (°C)	-14	4	10	15	21	27	32	38	43	86	
Inlet Sensor (kΩ)	open	261	199	153	119	93	73	58	46	short	
Outlet Sensor (kΩ)	open	26	20	15	12	9.3	7.3	5.8	4.6	short	

	Below	Temperature-Resistance									Above
Fahrenheit (°F)	< 7.5	50	75	100	125	150	200	300	400	464	
Celsius (°C)	< -13	10	24	38	51	65	93	149	204	240	
Flue Sensor (kΩ)	short	1.03	1.09	1.14	1.19	1.25	1.35	1.57	1.77	open	



11. CONNECT TO WI-FI WITH RAYMOTE

Before initiating the provisioning process, make sure a reliable Wi-Fi access point is located near the unit or control room and a Wi-Fi network password is available.

Date: _____
Wi-Fi Network Name (SSID): _____
Wi-Fi Password: _____

Raymote User Registration

Sign up from your mobile device with the Raymote App. Use your email to create a new account. You'll receive an email confirmation. See **Figure 74**.

NOTE: Check your email spam if you do not receive an email within 5-minutes in your inbox.

Use your email address as the Raymote user, then create a secure password. See **Figure 75**.

Once the user registration is complete, you can begin to add your AVIA heaters via the Raymote mobile app. See **Figure 80**.

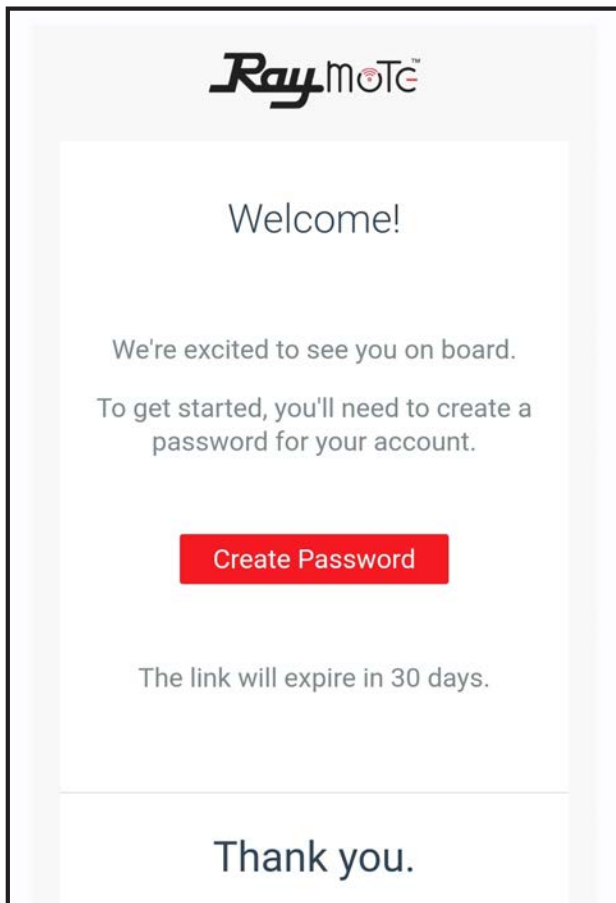


Figure 74. Welcome Raypak Dashboard

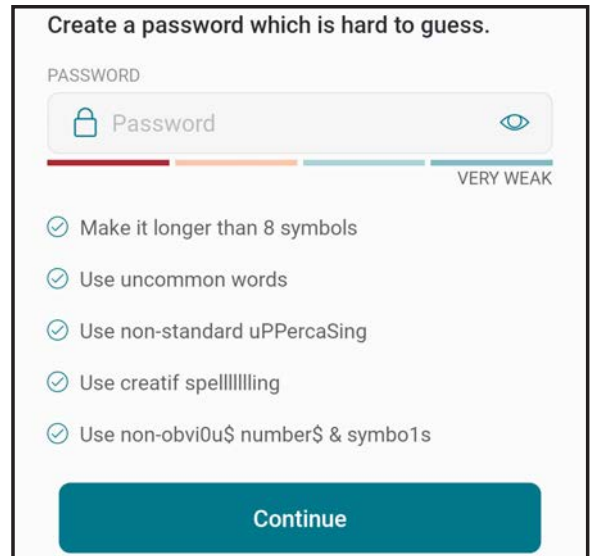


Figure 75. Create Password

Downloading the Raymote Mobile App

1. Download and install the Raymote mobile app from the Google Play ([Android](#)): or App Store ([iOS](#)): on your mobile device.
2. Find the Raymote mobile app icon on your device. See **Figure 76**.

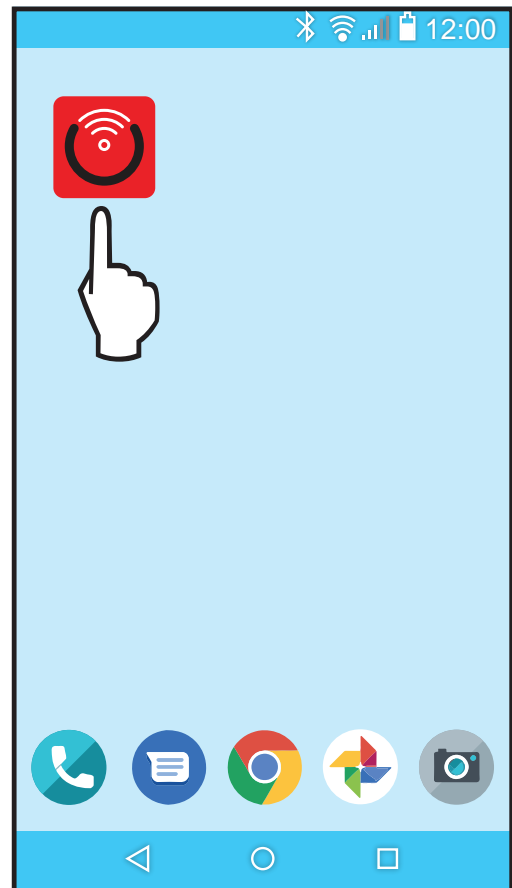


Figure 76. Find your Raymote Mobile App Icon

- Open the Raymote mobile app and log in with your user name and password. See **Figure 77**.

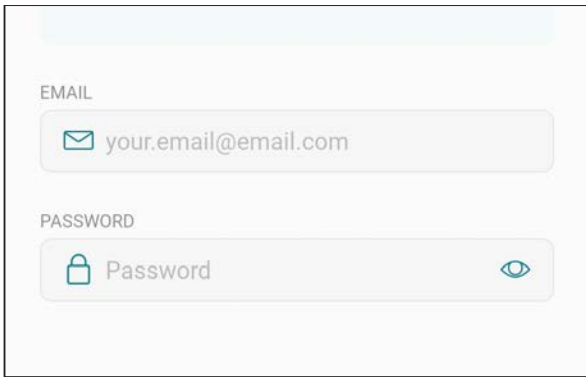
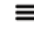


Figure 77. Log in the Raymote Mobile App

Add a New Heater to Raymote

- In the Raymote app, press the menu button  located at the top left corner of the screen, then press "+ Add new device". See **Figure 80**.

Preparing the Unit for Connection

- Stand near the display of the AVIA unit. Press the **CONNECT** key. See **Figure 78**.



Figure 78. CONNECT Key

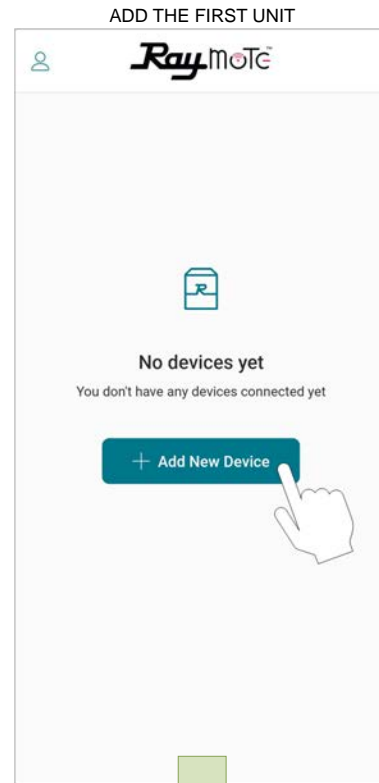
- The **CONNECT** menu should display the Wi-Fi State, indicating "Ready to Config" wireless connection, and also the **HOTSPOT** identifier. See **Figure 79**.



Figure 79. Wi-Fi Ready to Configure and HOTSPOT Identifier

- At this point your unit is ready for connection.

NOTE: The following sections provide the instructions for Android and iPhone devices.



OR ADD MORE NEW UNITS

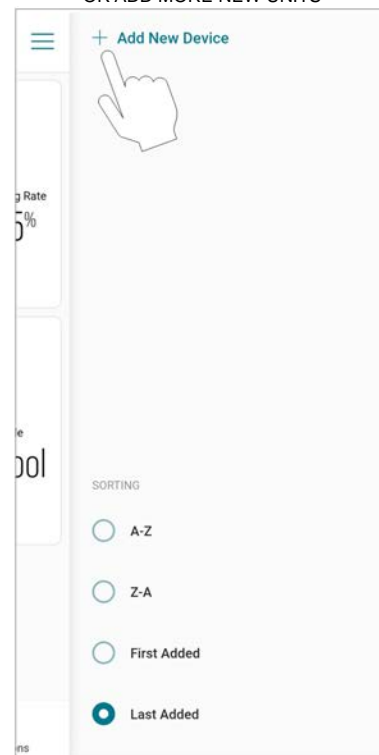
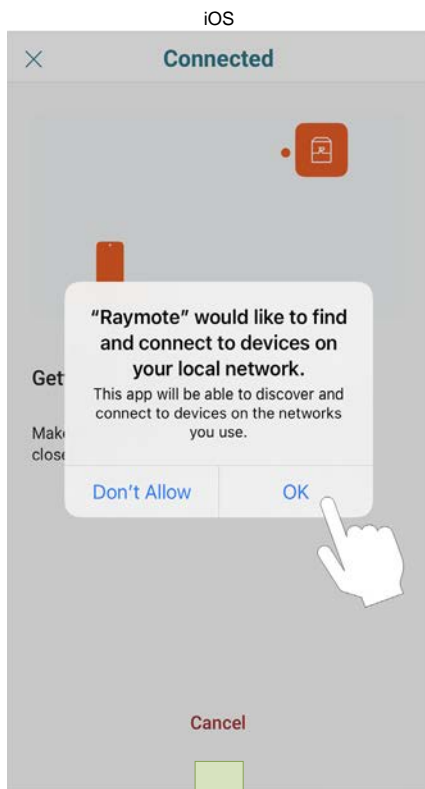


Figure 80. Add New Device

NOTE: The first time you use a new phone, the Raymote mobile app may require you grant permission to access data. See Figure 81.

2. "Check your Device" screen will appear. Ensure to have AVIA heater powered and Wi-Fi signal available in the area, then press "Start" button. See **Figure 82**.



OR ANDROID

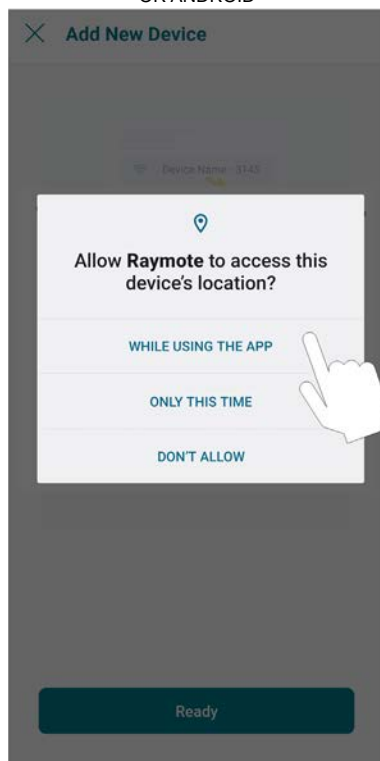


Figure 81. Grant Permission

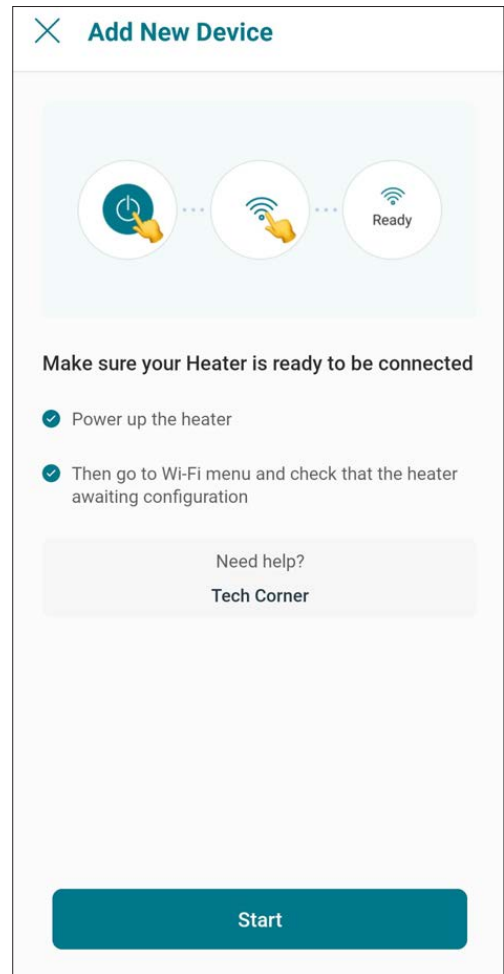


Figure 82. Check your Device

3. **In Android:** Depending on your configuration, one or more devices will appear on the app. Select the HOTSPOT identifier that matches the unit's display as shown in **Figure 83**.

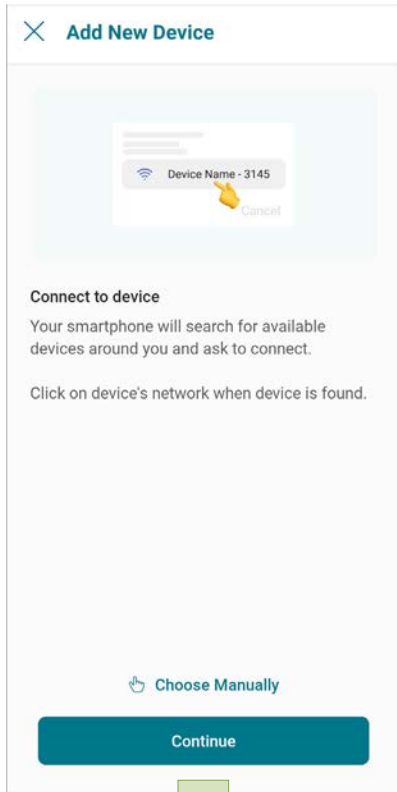


Figure 83. Connect with Android Smart Phone

4. **In iPhone:** Raymote app will start to scan nearby Heaters. If you have multiple units ready to connect, stand closer to the unit you want to connect first. Press "Join" to select the displayed heater that matches the HOTSPOT identifier, or press "Cancel" to start the process again. See **Figure 84**.

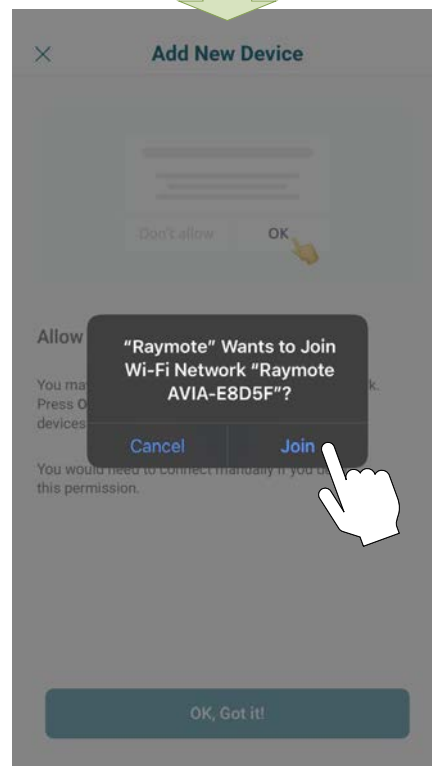
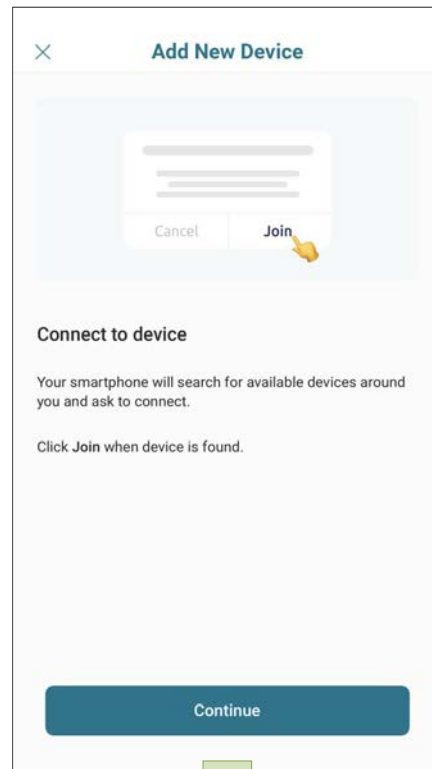


Figure 84. Connecting with iPhone

- The "Wi-Fi setup" screen will appear. Select or enter the Wi-Fi network you want your unit to be connected to and enter the network password. See **Figure 85**.
- Press the "Continue" button to proceed with unit connection.

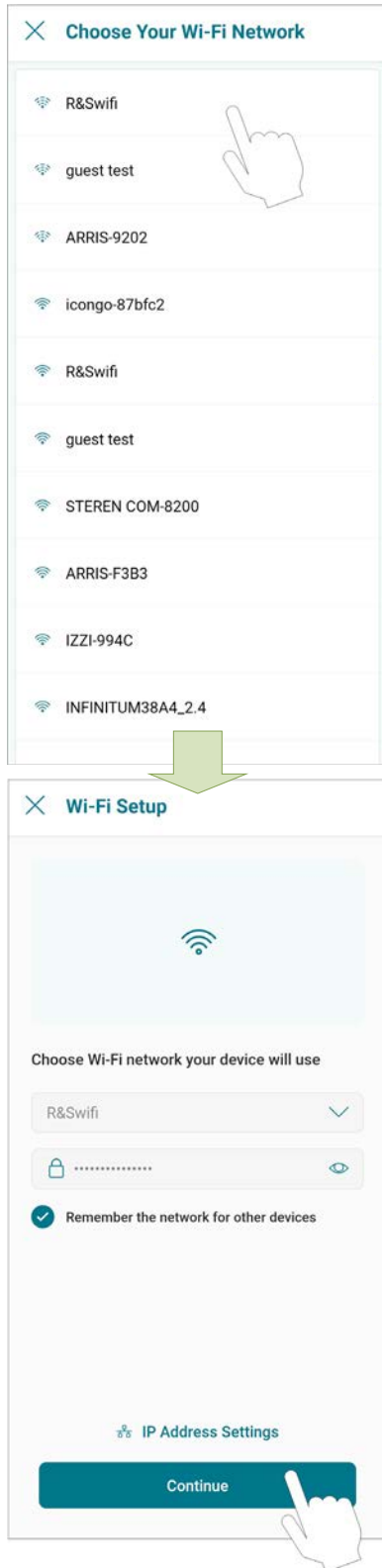


Figure 85. Wi-Fi Setup

IMPORTANT: Raymote Wi-Fi module works with 2.4GHz Wi-Fi signals only.

Ensure to have a strong signal near the Heater, the Wi-Fi password and to use a 2.4 GHz network.

(IEEE 802.11, 802.11b/g/n/ax).

- Raymote app will provide the Wi-Fi credentials to your unit. This process may take a few seconds. See **Figure 86**.

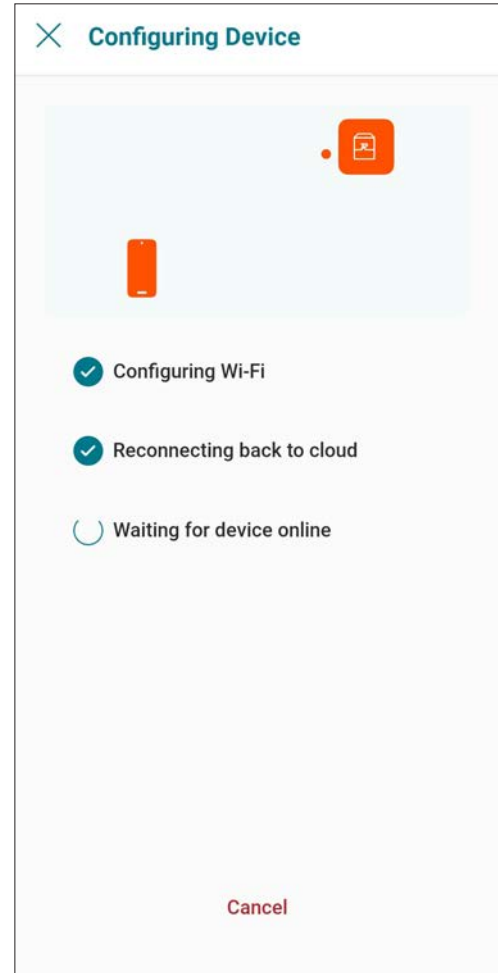


Figure 86. Configuring Device

- Continue in page 58 to AVIA heater setup.

For iPhone 6 and Earlier Versions

1. The "Wi-Fi setup" screen will appear. Select or enter the Wi-Fi network you want your unit to be connected to and enter the network password. See **Figure 87**.
2. Press the "Continue" button.

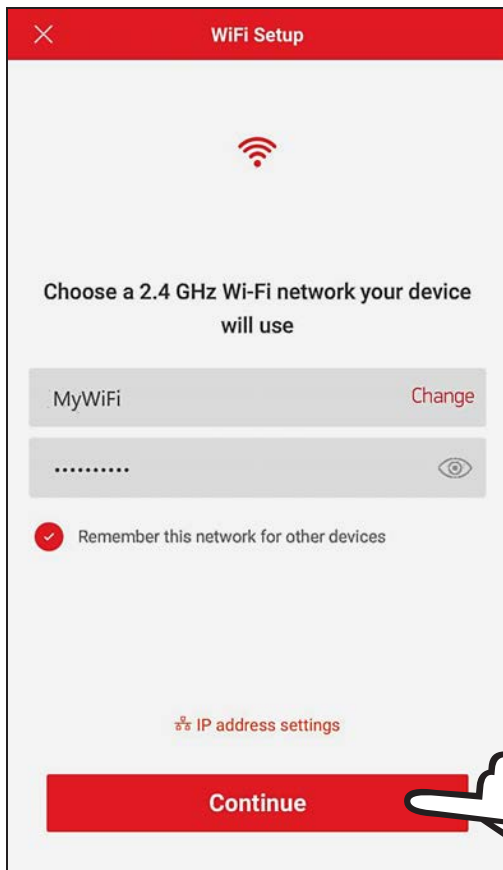


Figure 87. Wi-Fi Setup

3. "Check your Device" screen will appear. Ensure to have AVIA heater powered and Wi-Fi signal available in the area, then press the "Ready" button.

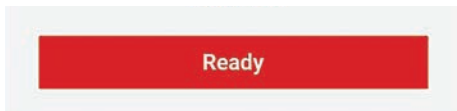


Figure 88. Check your Device

NOTE: The first time you use a new phone, the Raymote mobile app will require you grant permission to access data. See Figure 89.

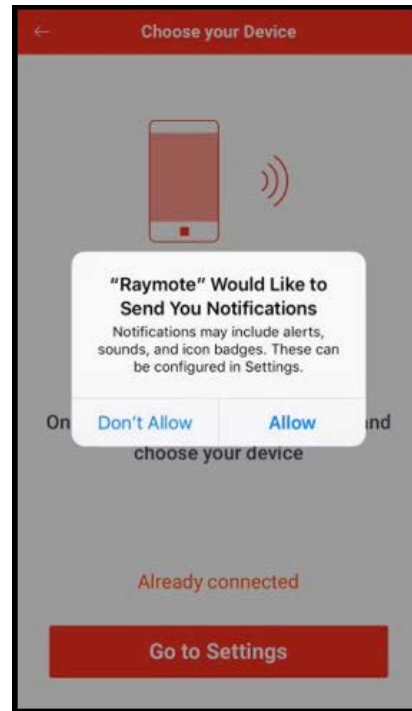


Figure 89. Grant Permission

4. Press the "Go to Settings" button on the "Choose your Device" screen. See **Figure 90**.

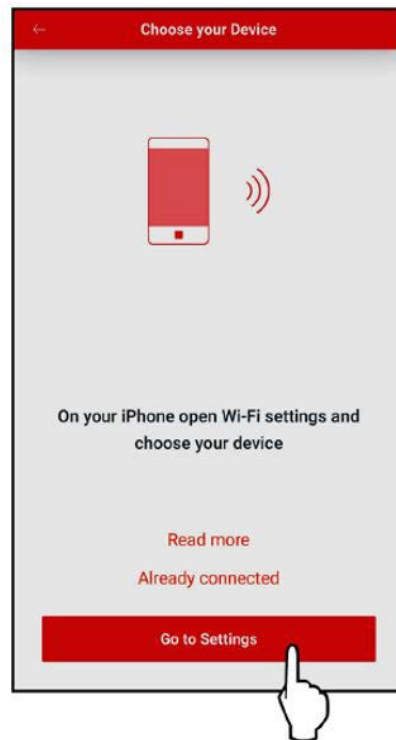


Figure 90. Go to Settings

- On the top left corner of the screen, press the "Settings" button to go the Settings menu. See **Figure 91**.

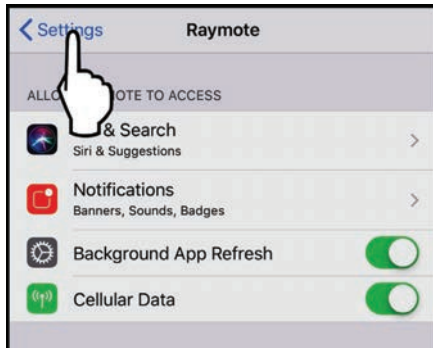


Figure 91. Select "Settings" Menu

- Select the Wi-Fi network on the Settings menu.

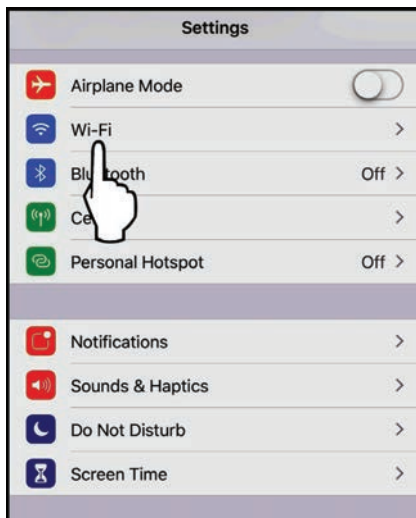


Figure 92. Select "Wi-Fi" Settings

- Select the HOTSPOT identifier that matches the unit's Touchscreen as shown in **Figure 93**.



Figure 93. Select the HOTSPOT Identifier

- A notification tab will confirm that iPhone is now connected to the unit. Press the notification tab or manually go back to the Raymote mobile iPhone app to continue. See **Figure 94**.



Figure 94. Connection Notification

- The Raymote mobile app will provide the Wi-Fi network credentials to your unit.

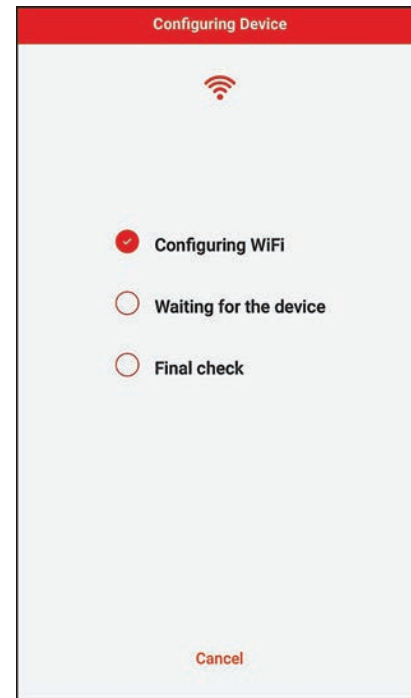


Figure 95. Configuring Device

AVIA Heater Setup

1. Your device is now connected to Wi-Fi. You can change the name of your device here. See **Figure 96**.

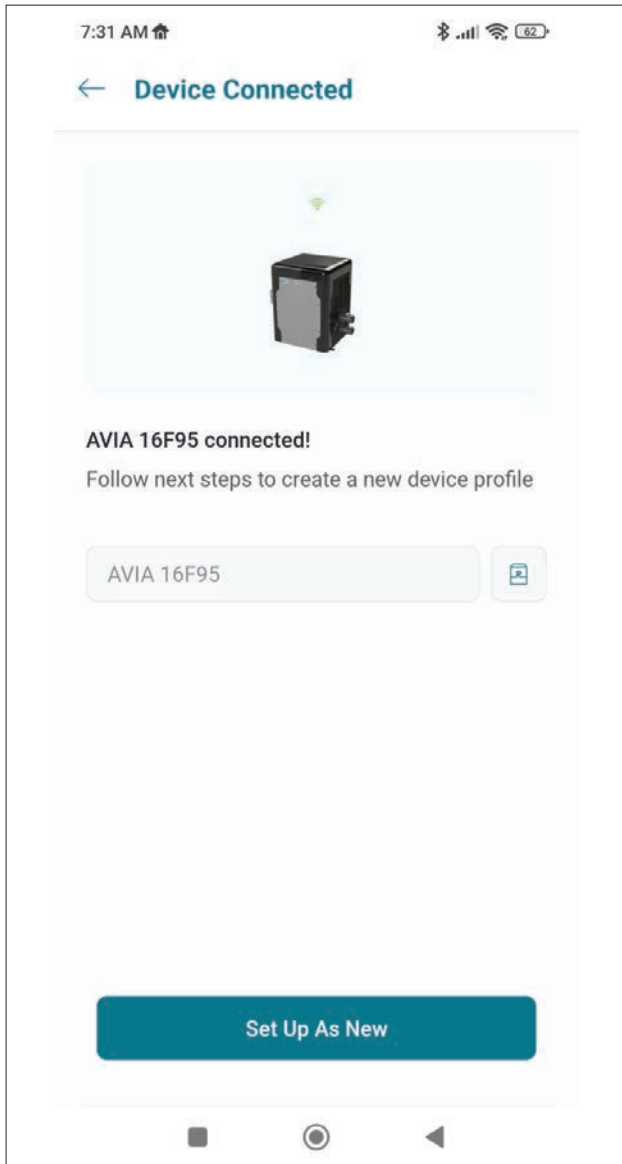


Figure 96. Name Your Unit

2. Press the "Set up as new" button to enter heater location, and other helpful info for future references. Press the "Apply recently used profile" button to use information previously applied to other heaters.
3. During device configuration, basic reference information about the heater will be requested, including service provider, site location, Pool and Spa size. See **Figure 97**.

NOTE: This information can be added at any time from the Raymote mobile app. It is strongly recommended to make sure this information is completed.

4. After completing the Raymote configuration, the unit will start broadcasting data to the Raymote cloud.

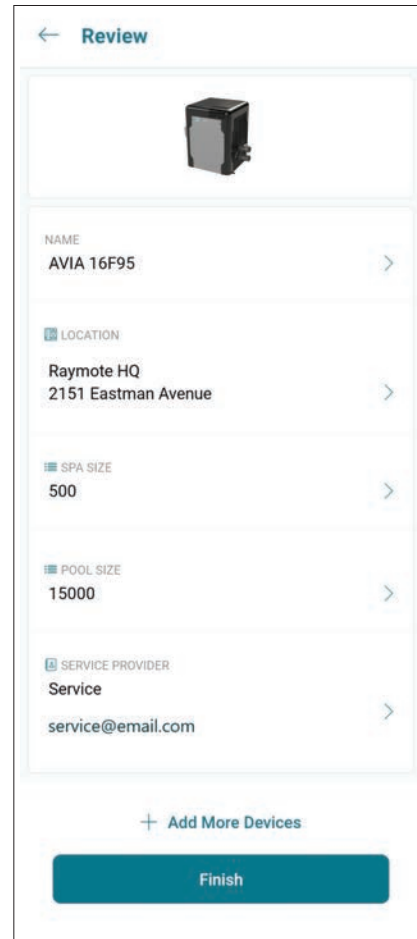
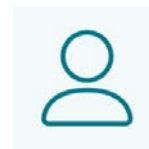


Figure 97. Device Setup Review

12. RAYMOTE MOBILE APP



User and Organization Settings

1. User profile
 - Update your username, email, or password.
 - Edit or delete your Raymote account.
2. Raymote App settings
 - Adjust app preferences for notifications and appearance.
3. Organization Settings
 - Review and Update your Raymote organization settings.
 - Add, edit, or remove Members with access to your Raymote organization.
 - For Raymote client accounts, share access to your Raymote organization with a Contractor with an active Raymote Partner account.

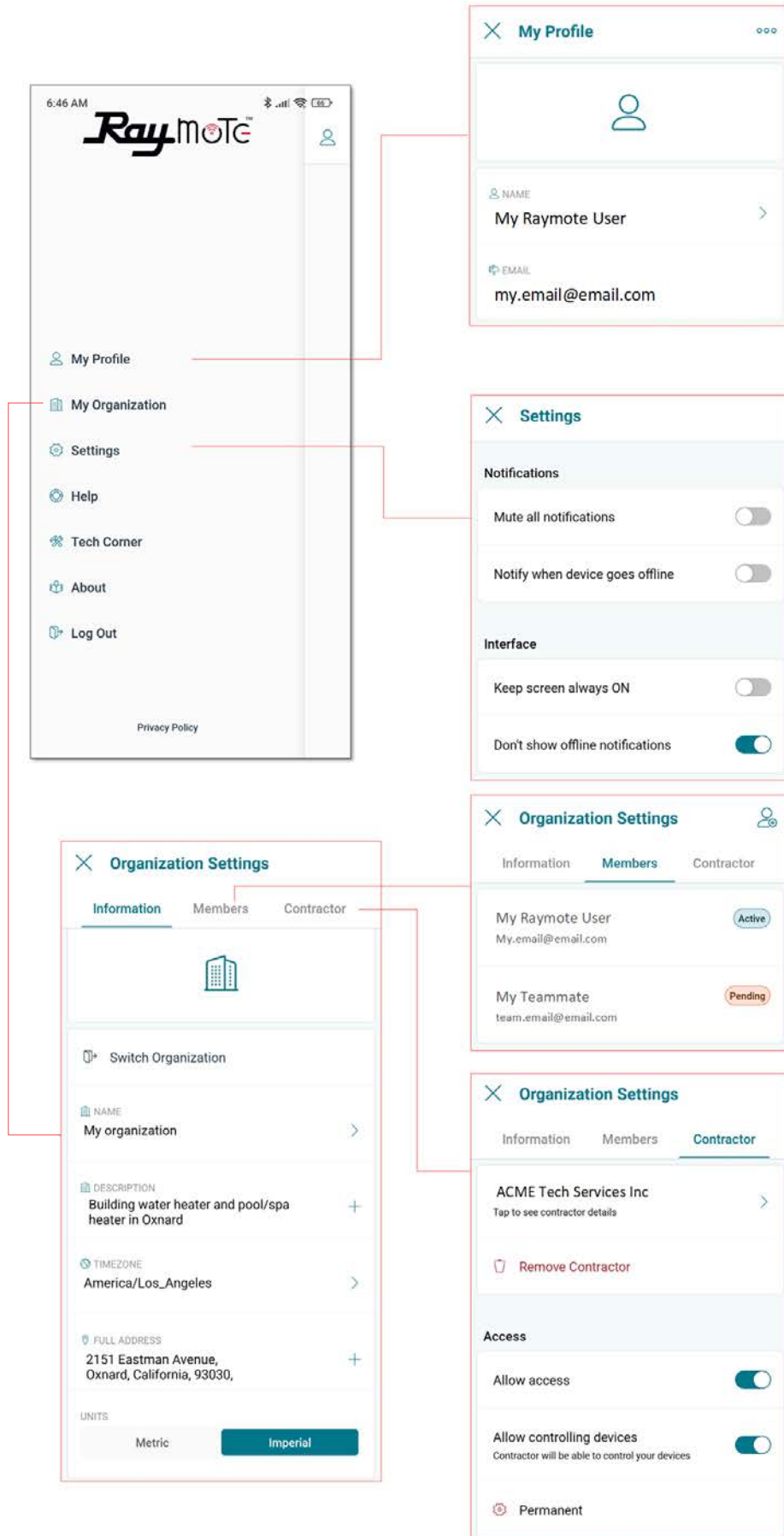


Figure 98. Settings - Client Accounts

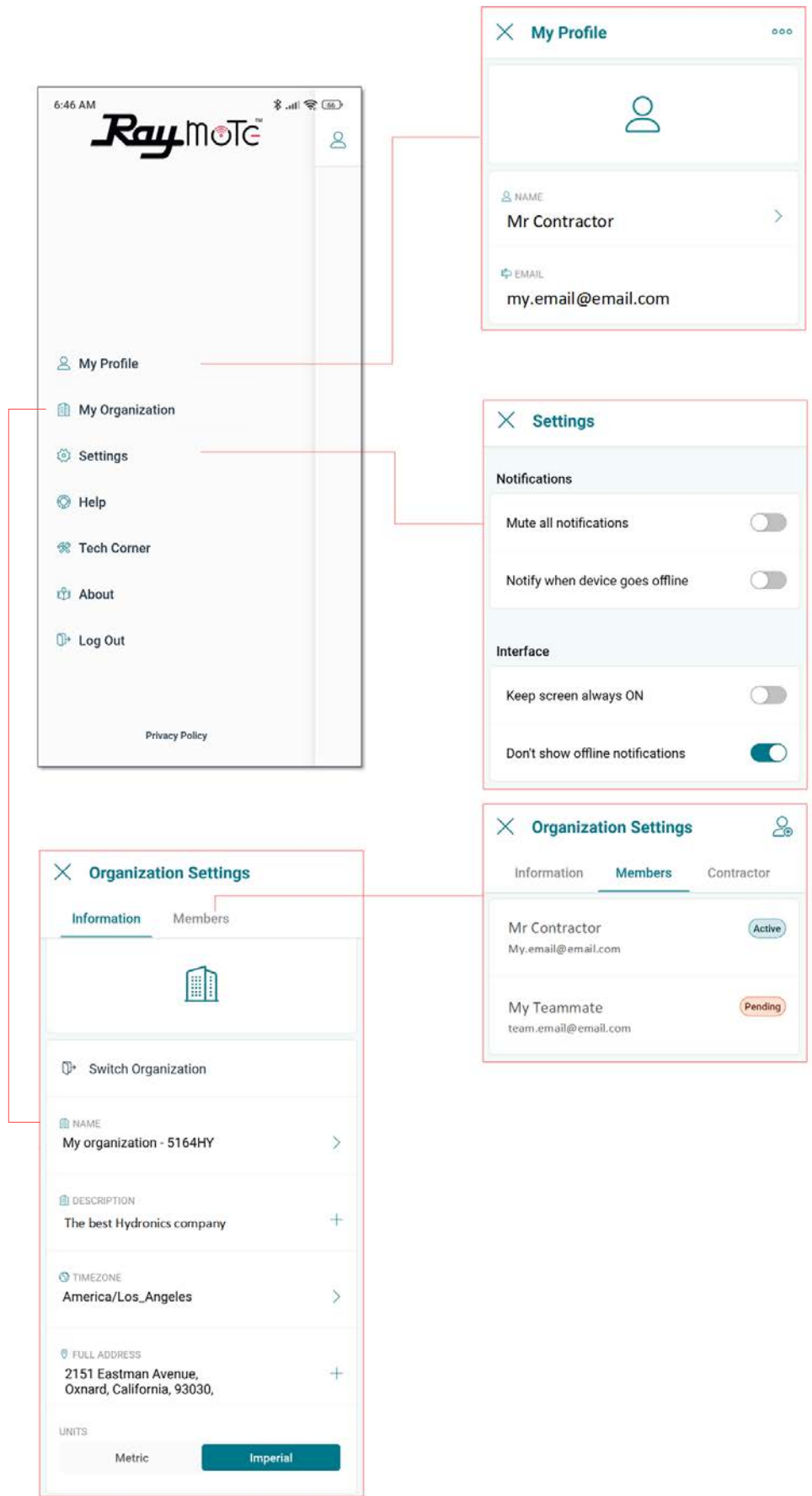


Figure 99. Settings - Partner Accounts

Help and Tech Support

Raymote App provides direct access to technical support for Raypak heaters, service kits, I&O manuals and Raymote topics:

1. Raymote Help

- In-App access to Raymote Online resources and technical contents.

2. Tech Corner

- In-App access to Raypak Tech Corner collection. You can find here detailed instructions for Raypak products and service kits.

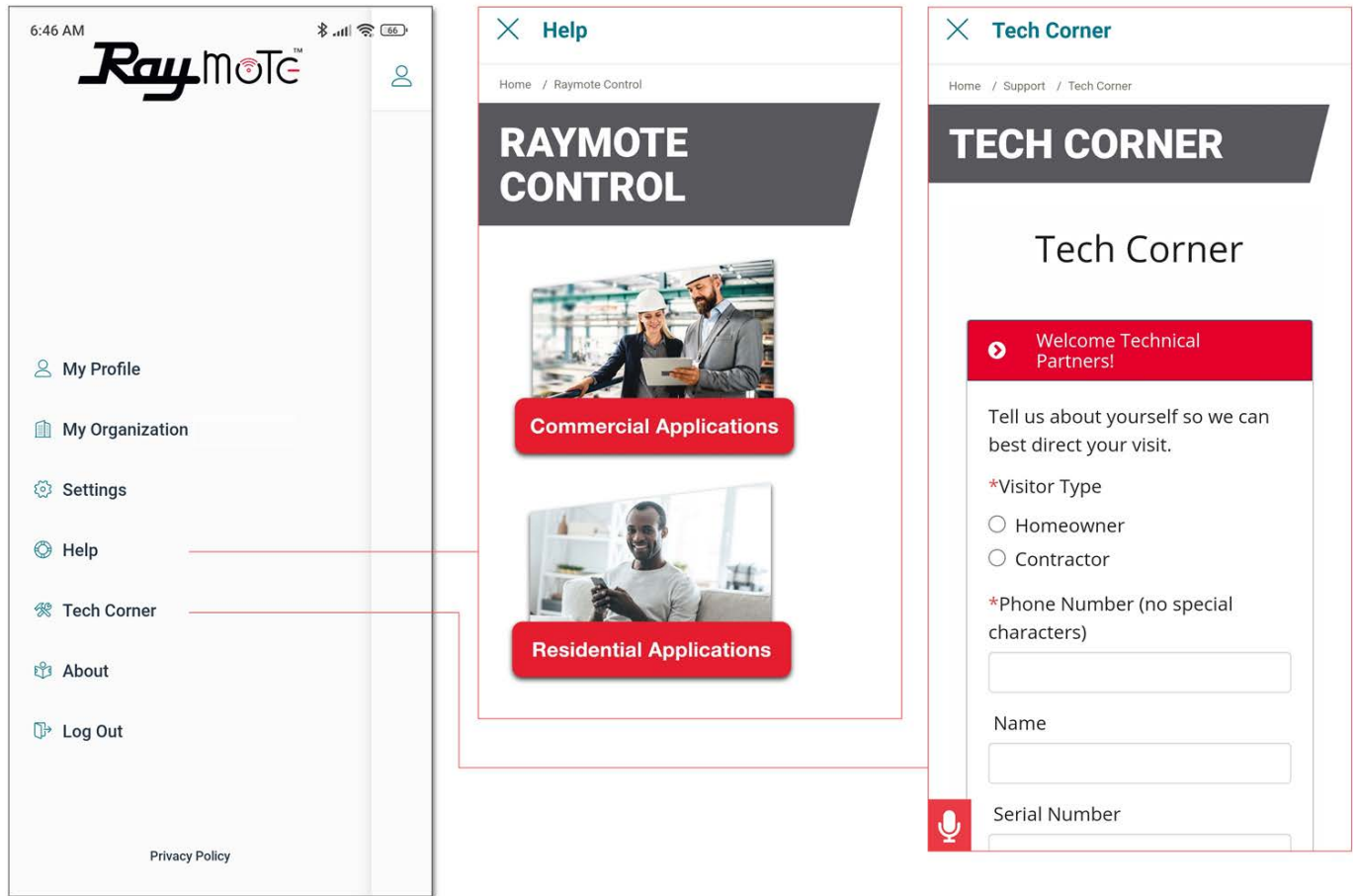


Figure 100. Help and Tech Support

Main View

- The main view of Raymote display a list of the heaters added in to your Raymote Organization.
- Each heater is represented by a tile with its name and an overview of the heater operation parameters.
- Raymote organization list can handle 1 or multiple Commercial and Residential Raypak heaters equipped with Raymote.

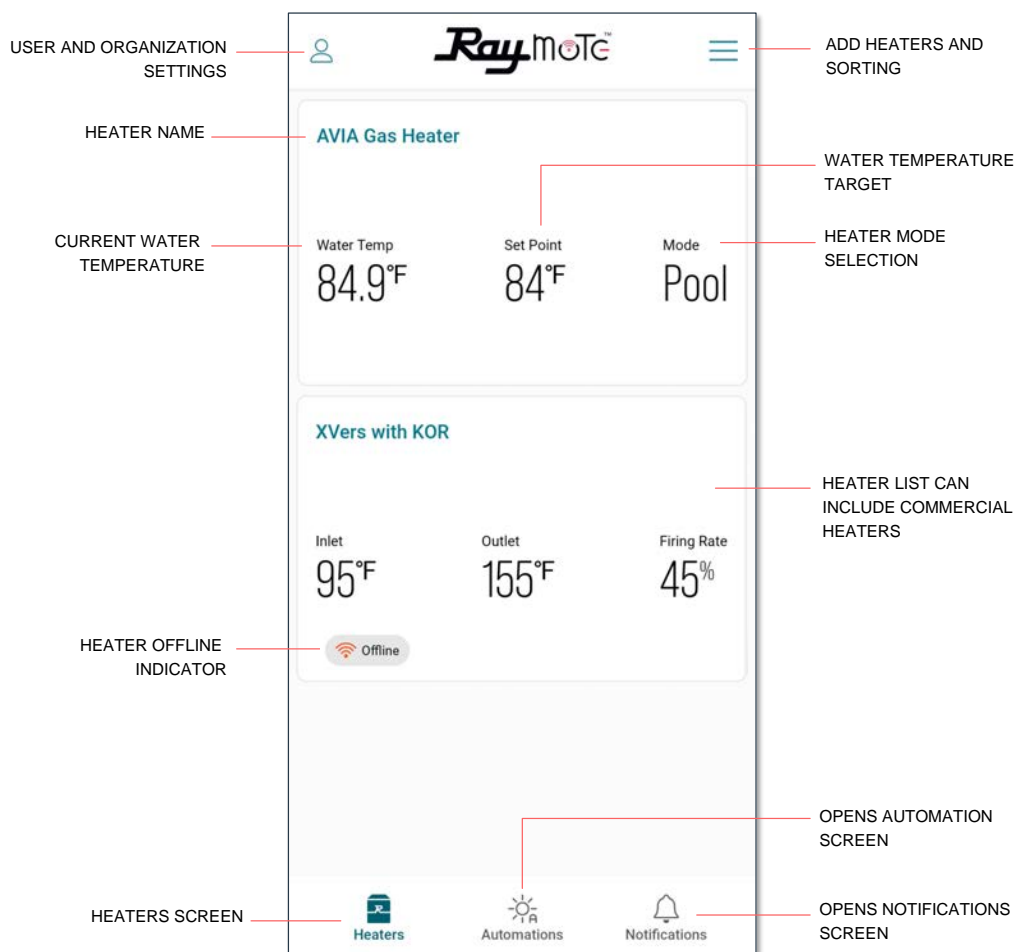


Figure 101. Main View - Heaters List

Heater Name

- Heater name is defined during the Heater connection and setup, but it can be changed anytime from the heater settings.

Water Temp

- The water temperature measured by the heater is displayed in this field. Water Temp varies with the ambient temperature, pumps and heaters operation.

Setpoint

- Setpoint is the goal temperature for the heater. It can be adjusted from the AVIA control board or directly from Raymote.
- Heater start a call for heat when Water Temp is 1 degree Fahrenheit or more, below the setpoint and operation Mode is POOL or SPA.
- Heater terminate heat when Water Temp is equal or greater the setpoint temperature, or when Mode is changed to OFF.

Mode

- Mode field displays the current operation mode selected.
- POOL mode use an independent setpoint.
- SPA mode use an independent setpoint.
- In OFF mode the heater is operational but is maintained in standby until mode changes to POOL or SPA.

Offline Indicator

- The offline indicator is displayed only when the Heater can not be detected online.
- Offline status can be cause by a heater disconnected from power, WiFi signal weak or not available, or due to any change in WiFi signal name or password.
- Check the Connectivity Troubleshooting section for details on how to recover or reconnect a heater to Raymote.

Automation

Raymote automation offers the ability to select Heater parameters and customize a specific condition that could trigger a notification or an action to update a parameter. See **Figure 102** and **Figure 103**.

NOTE: Use your smartphone camera to access detailed instructions for Auxiliary output scheduling with Raymote. <https://www.raypak.com/support/tech-corner/raymote-automation/>

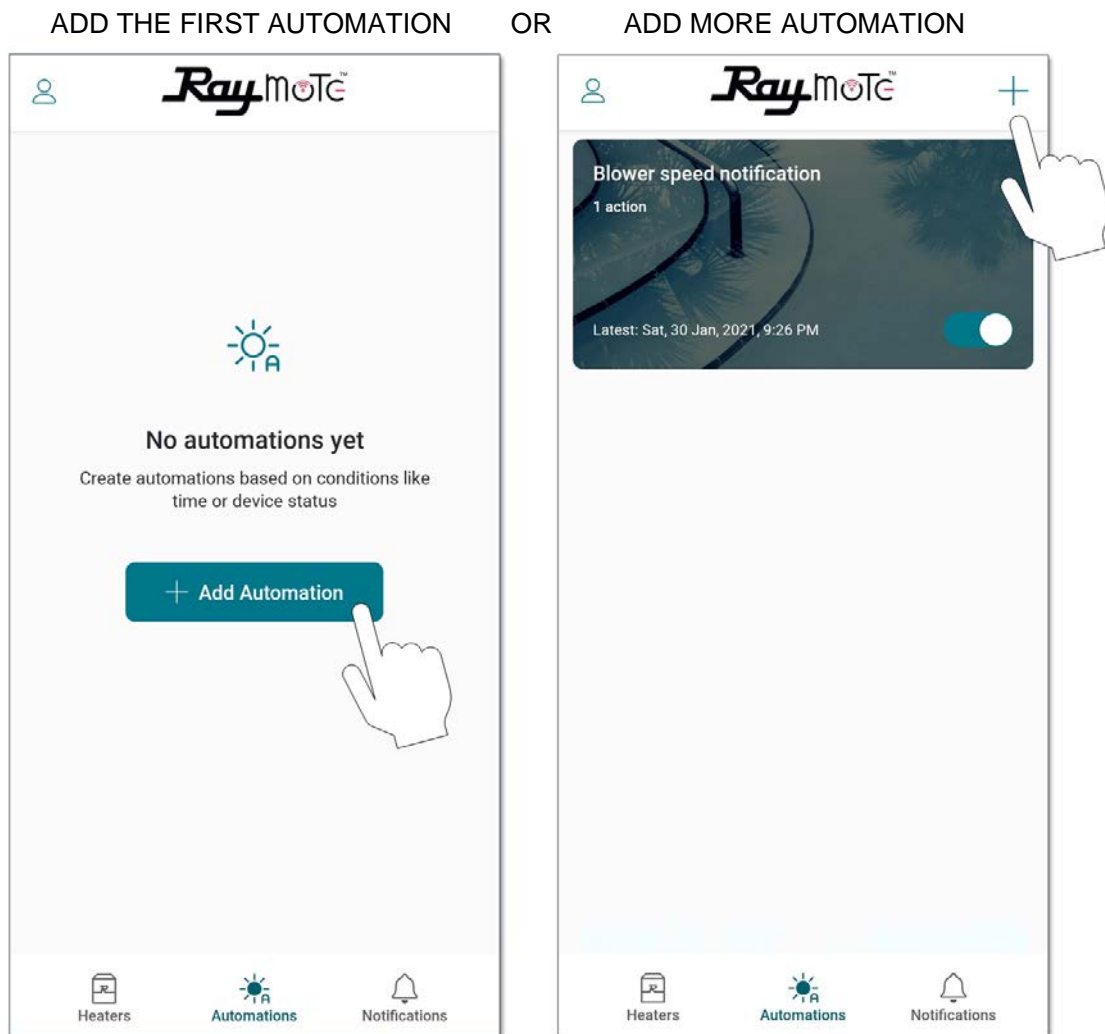
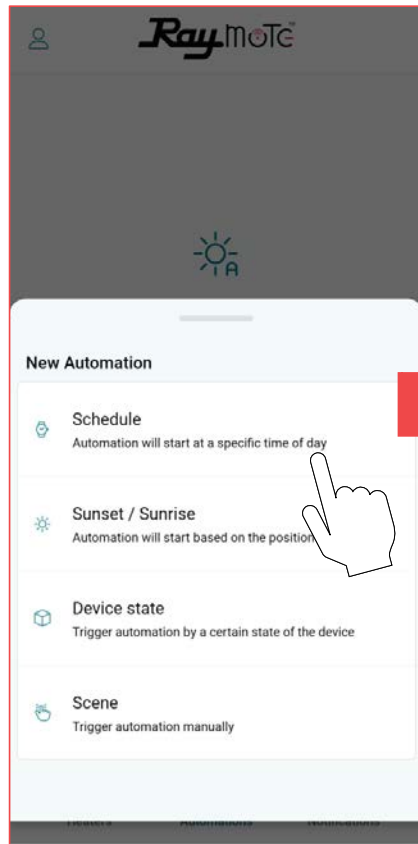
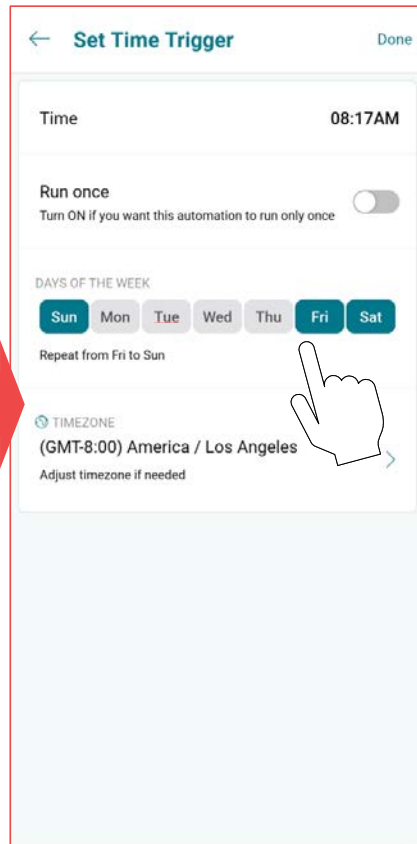


Figure 102. Automation

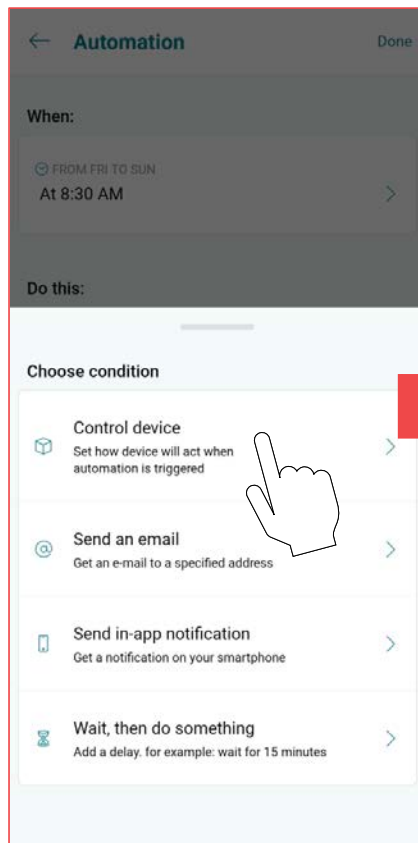
SELECT A TRIGGER



CONFIGURE TRIGGERING



SELECT AN ACTION



CONFIGURE THE ACTION

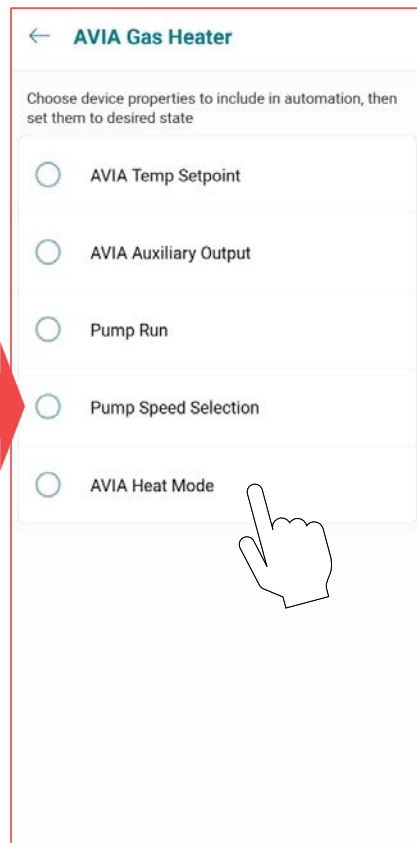


Figure 103. Set New Automation

Pool-Spa Mode Screen

The Mode Screen contains the main controls for the heater. Operation mode and setpoint can be selected from this screen.

This screen also provides the water temperature sensed by the heater, as well as its current operation status. See **Figure 104**.

NOTE: When OFF is selected, the setpoint slider is disabled.

NOTE: When unit is controlled with remote mode, the buttons OFF, Pool and Spa are disabled in the App.

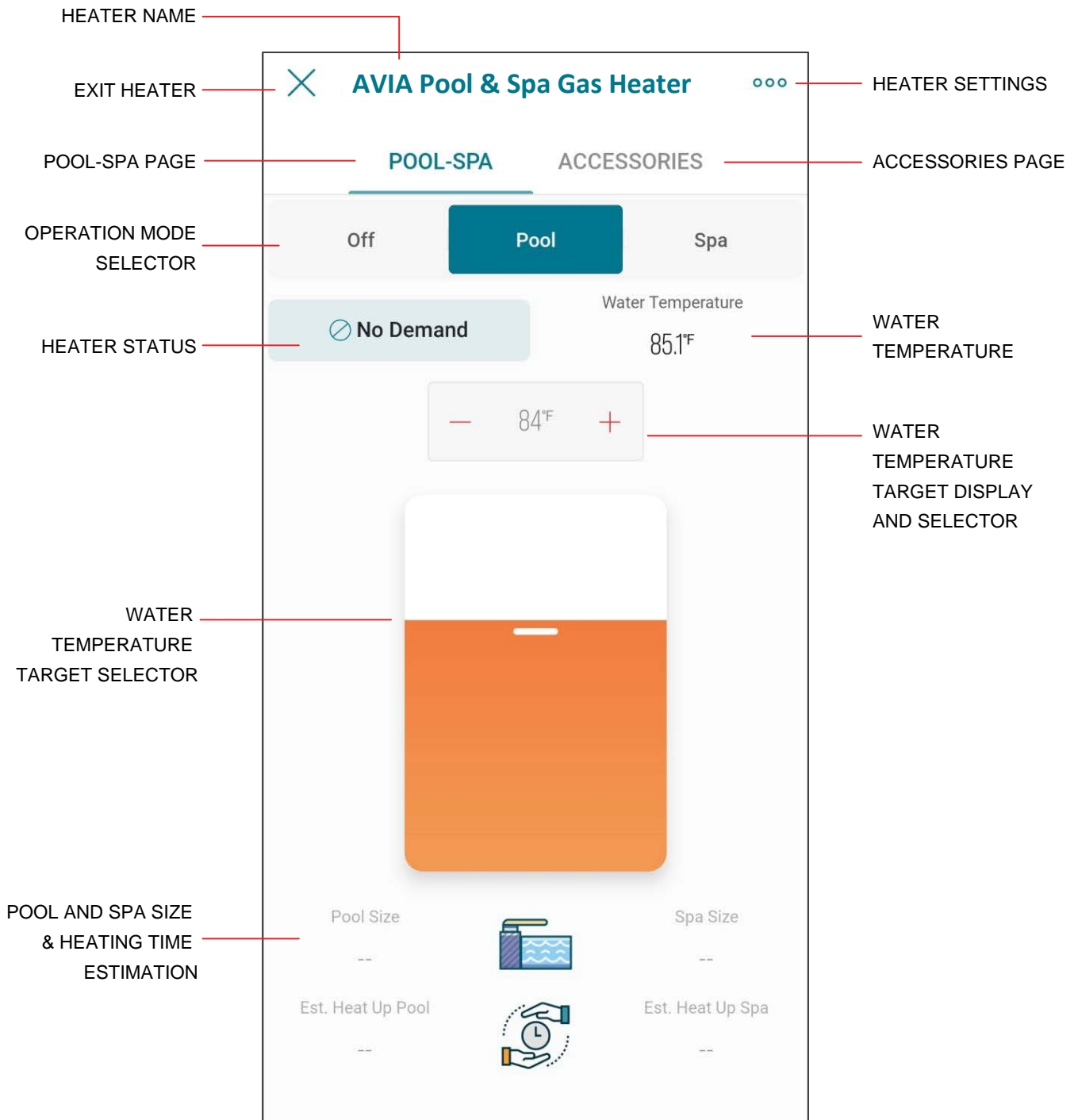


Figure 104. AVIA Controls

Heater Name

- Heater name is defined during the Heater connection and setup. It can be changed anytime from the Heater settings.

Exit Heater

- Press X to close Heater view and return to heaters list.

Heater Settings

- The 3-dot icon opens Heater settings.
- Use this option to edit the parameters defined during heater configuration.

POOL-SPA page

- Displays the page to control the operation mode and water temperature target.

ACCESSORIES page

- Displays the page to control Heater Accessories.

Operation Mode selector

- This 3-button selector can be used to change the operation mode in the Heater.
- Use OFF option to stop heating. In this mode the heater is operational but is maintained in standby until mode changes to POOL or SPA.
- Use POOL or SPA mode to set a Water Temperature target.
- POOL and SPA mode use an independent temperature target for each mode.

Heater Status

- This display shows the current operational status of heater.
- No Demand is displayed when the unit is in OFF mode or when Water Temperature is equal or above the temperature target.
- Pre-Purge is displayed when a new heating cycle starts and the heater is getting prepared for ignition.

- Spark is displayed during the ignition trial.
- Heating is shown when unit has established a solid flame and the unit is heating.
- Post-Purge is displayed when the demand-for-heat is terminated and unit is getting cooled down.

Water Temperature

- The water temperature measured by the heater is displayed in this field.

Setpoint or Target Temperature

- The water temperature setpoint display and selector shows the water temperature target.
- Heater start to hear when Water Temperature is 1 degree Fahrenheit or more, below the setpoint and operation Mode is POOL or SPA.

Setpoint slider selector

- The setpoint slider can be used to make quick changes to the water temperature target.
- Selection can be fine-tuned with the [+] and [-] buttons in the setpoint display and selector.

Pool and Spa size

- The Pool and Spa size displays shows the size selected in the configuration of the heater when connected to Raymote.
- These parameters can be updated from the Heater Settings page.

Pool and Spa estimated Heat up time

- These fields displays an estimated heat up time based in the provided Pool and Spa size, the current water temperature and the water target temperature.
- Technical restrictions apply to this estimation.

Accessories Screen

The accessories screen includes the auxiliary and extended heater controls in the Raymote mobile app. These controls allow users to command an Auxiliary relay that can be wired to turn on and off a pump, lights or water features.

This screen also provides control to Raypak Protege variable speed pump when connected to the heater. See **Figure 105**.

⚠ WARNING: Only authorized users have access to remotely control the heater, do not provide credentials to unauthorized users.

⚠ WARNING: Check "Auxiliary Output Control" section for details of wiring and rating of the built-in auxiliary relay.

Some controls are application dependent and may not be available on all units. When a control or set of controls are not available, these will be grayed out.

Raymote controls will reflect the actual status of the value on the local unit. When a change is applied to any control item, the position of the selector will reflect the confirmation value of the setting. See **Figure 105**.

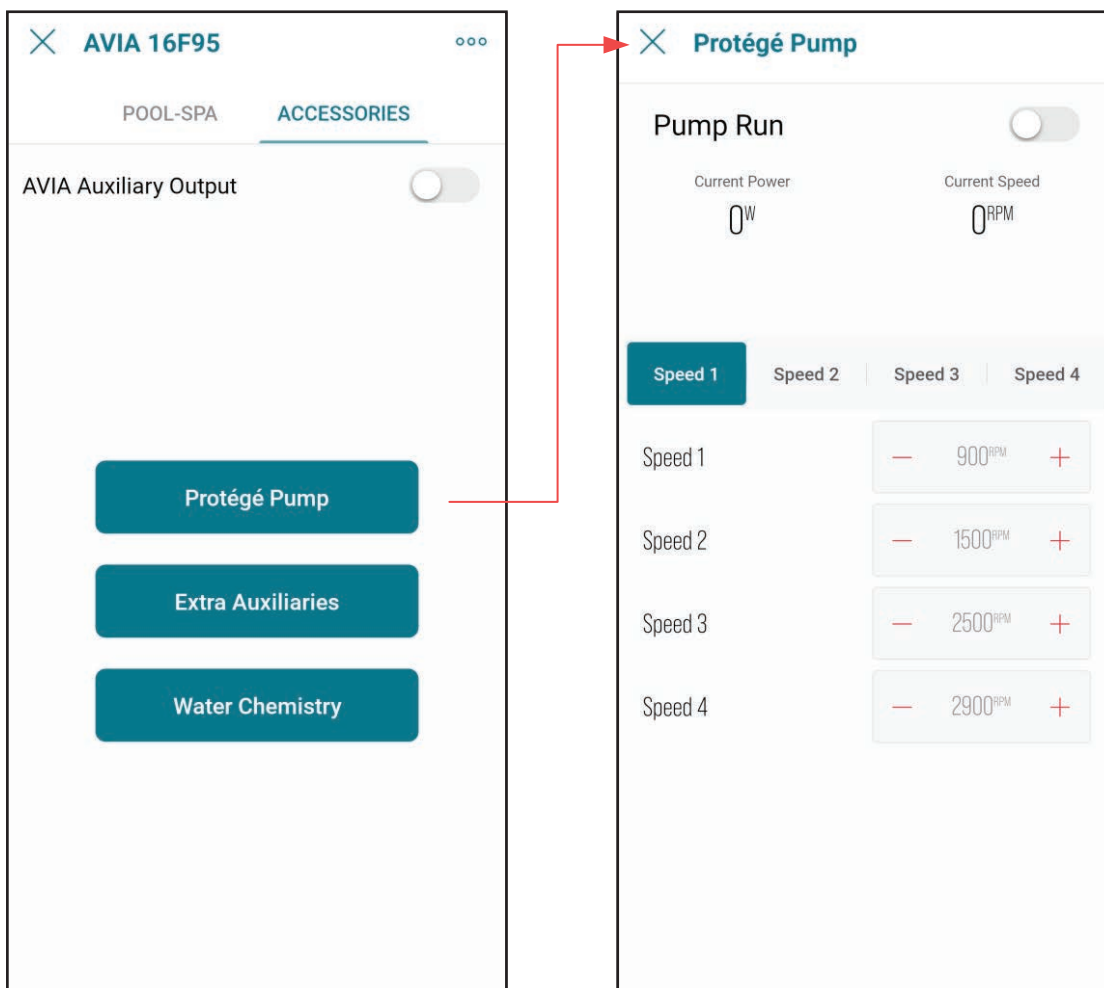


Figure 105. AVIA Accessories

NOTE: Use your smartphone camera to open QR link below to access the latest instructions and detailed technical support for Raymote and AVIA: <https://www.raypak.com/support/tech-corner/raymote/>



Reset Wi-Fi Credentials

Resetting the Wi-Fi is useful when the heater is trying to connect to a Wi-Fi signal that is not available or has been changed.

NOTE: After resetting Wi-Fi credentials, the heater needs to be manually connected again to Wi-Fi to work with Raymote features. Ensure to reconnect as existing unit in Raymote app or add it as a new device.

1. Press and hold the CONNECT key for 5 seconds.



Figure 106. Wi-Fi Reset – Press and Hold CONNECT

2. The Display shows “Reset Wi-Fi?” In the top row and “No” in the second row.
3. To cancel and exit, press MODE.



Figure 107. Wi-Fi Reset Menu

4. To proceed with reset, press UP key.
5. Second row now shows “Yes”.

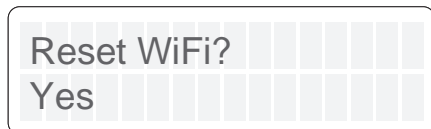


Figure 108. Wi-Fi Reset Confirmation

6. Now press Mode key to reset.
7. “Wi-Fi Initialized” message is displayed.



Figure 109. Wi-Fi Reset Completed

8. Now Connect again or reconfigure an existing heater.

Reconnect to Wi-Fi

Follow the next steps to reconnect a Heater already registered in Raymote, to a new Wi-Fi network or after a change of Wi-Fi password.

1. Select the device that needs to be reconfigured.
2. Press the 3-dots button on top-right corner to open unit settings.

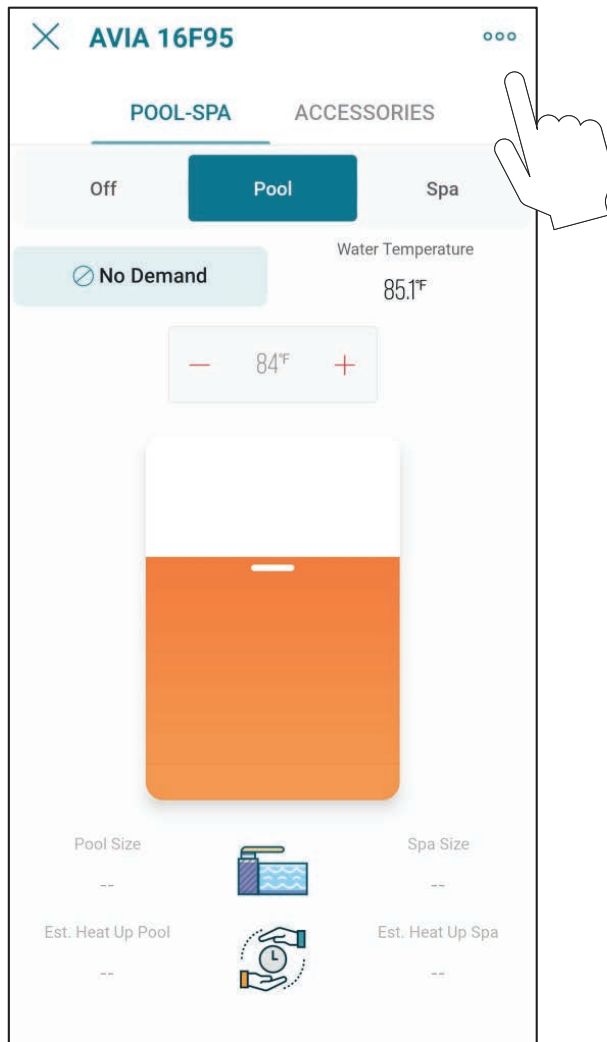


Figure 110. Open Unit Settings

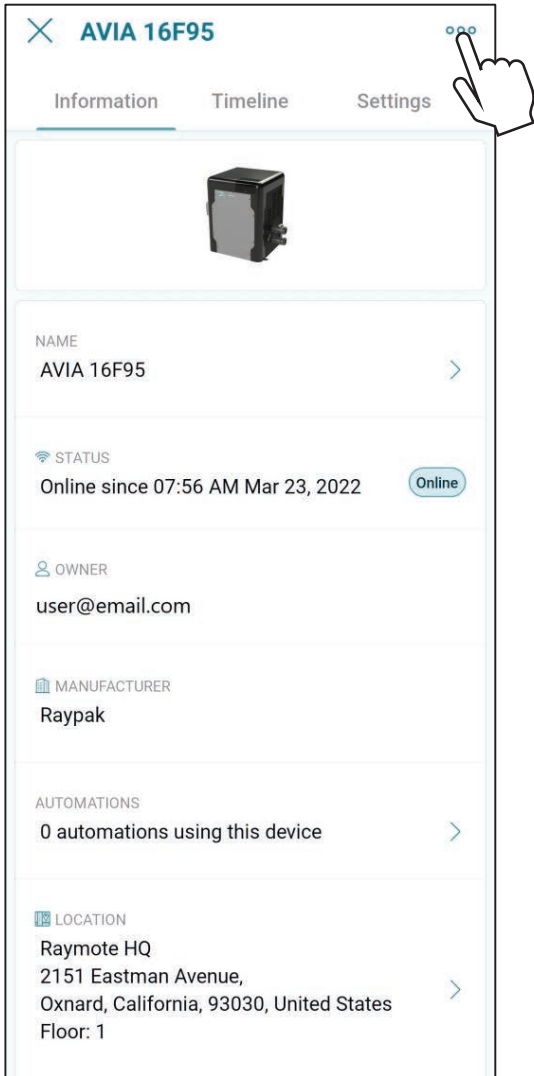


Figure 111. Heater Settings Screen

3. Click in the 3-dots icon again. The action menu is displayed. In “Actions” menu, select the option “Reconfigure”.

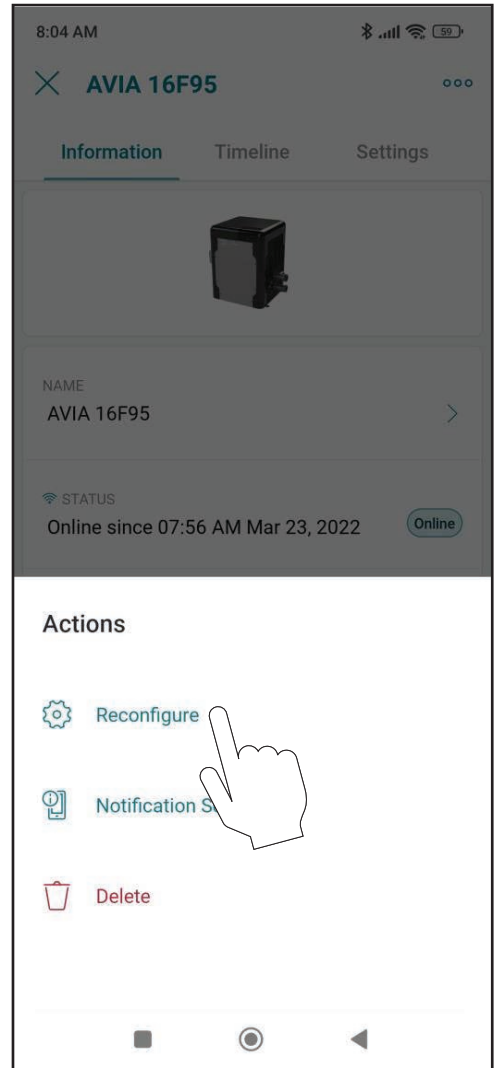


Figure 112. Select Reconfigure

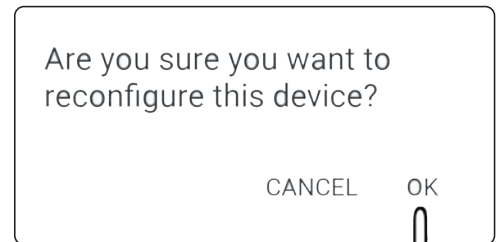


Figure 113. Confirm Selection

4. "Check your Device" screen will appear. Ensure to have the heater powered and Wi-Fi signal available in the area, then press "Ready" button. See **Figure 114**.

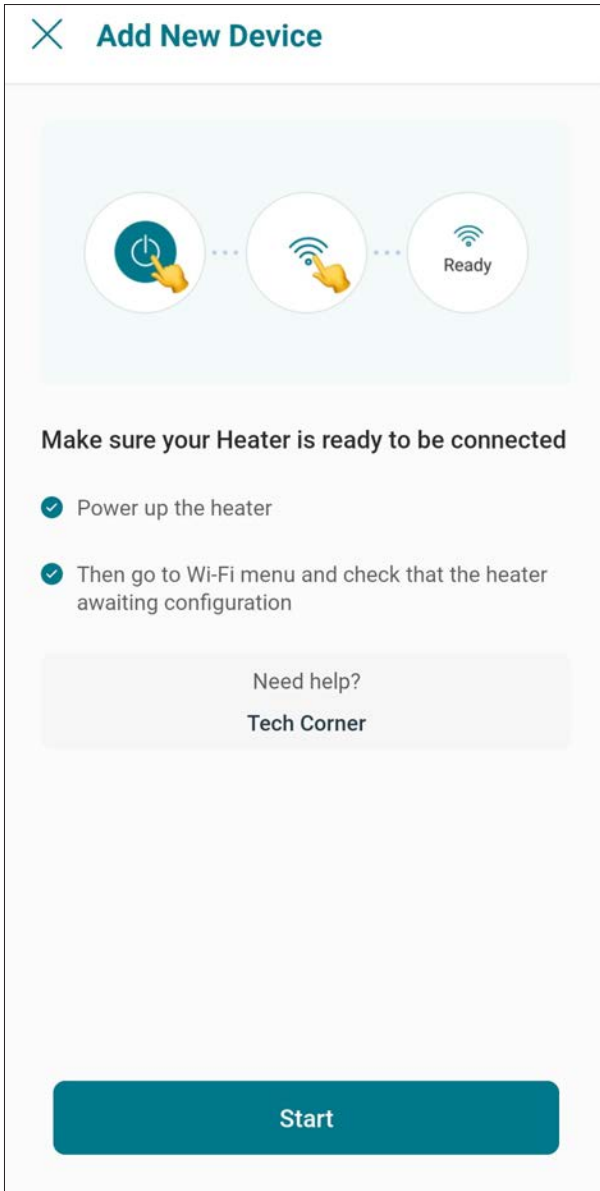


Figure 114. Check your Unit

5. **In Android:** Depending on your configuration, one or more devices will appear on the app. Select the HOTSPOT identifier that matches the unit's display as shown in **Figure 115**.

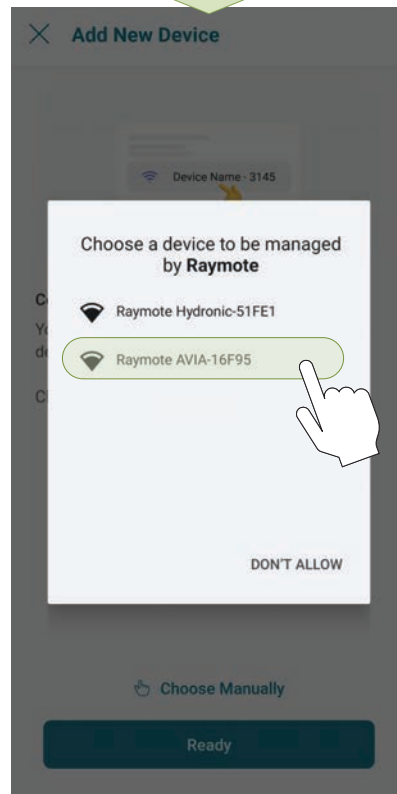
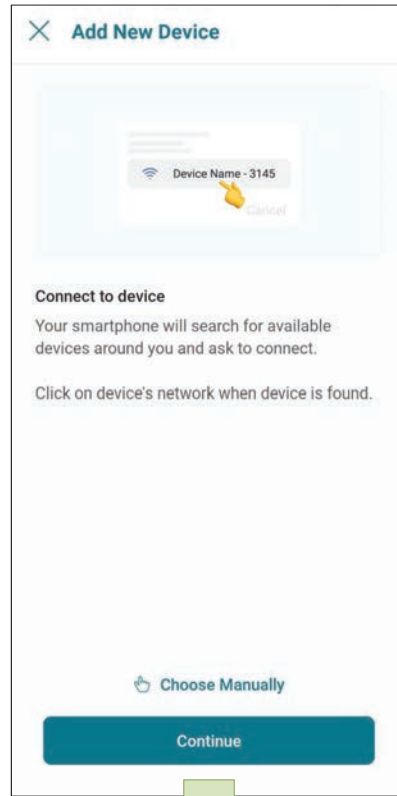


Figure 115. Connect with Android Smart Phone

6. **In iPhone:** Raymote app will start to scan nearby Heaters. If you have multiple units ready to connect, stand closer to the unit you want to connect first.

Press "Join" to select the displayed heater that matches the HOTSPOT identifier, or press "Cancel" to start the process again. See **Figure 116**.

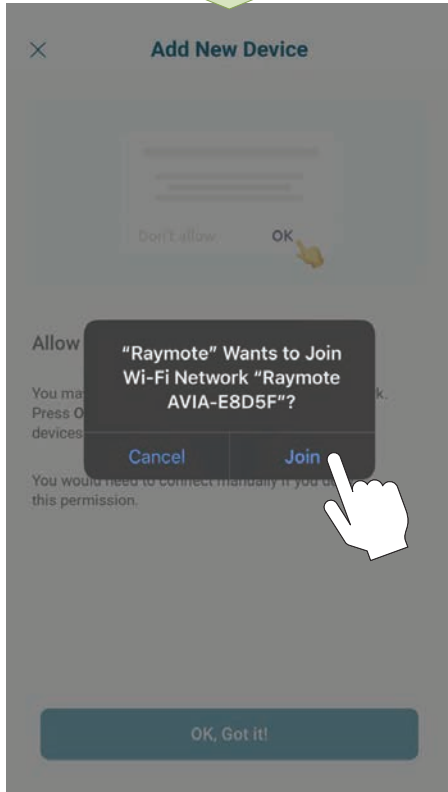
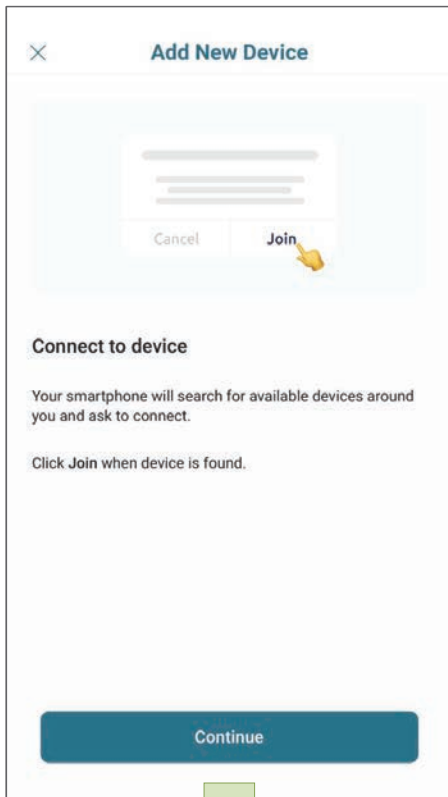


Figure 116. Connecting with iPhone

7. The "Wi-Fi setup" screen will appear. Select or enter the Wi-Fi network you want your unit to be connected to and enter the network password. See **Figure 117**.
8. Press the "Continue" button to proceed with unit connection.

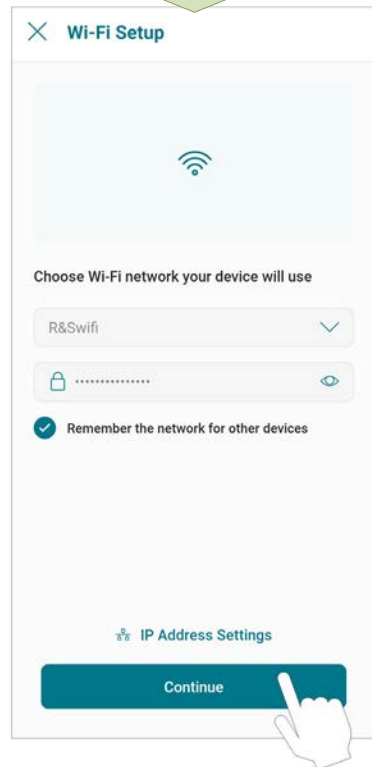
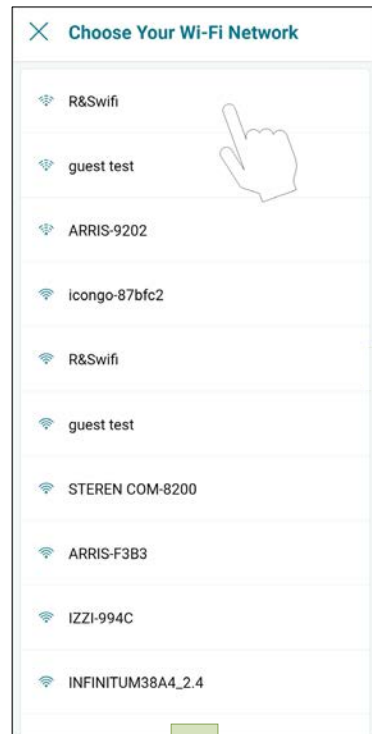


Figure 117. Wi-Fi Setup

IMPORTANT: Raymote Wi-Fi module works with 2.4GHz Wi-Fi signals only.

Ensure to have a strong signal near the Heater, the Wi-Fi password and to use a 2.4 GHz network.

(IEEE 802.11, 802.11b/g/n/ax).

9. Raymote app will provide the Wi-Fi credentials to your unit. This process may take a few seconds. See **Figure 118**.

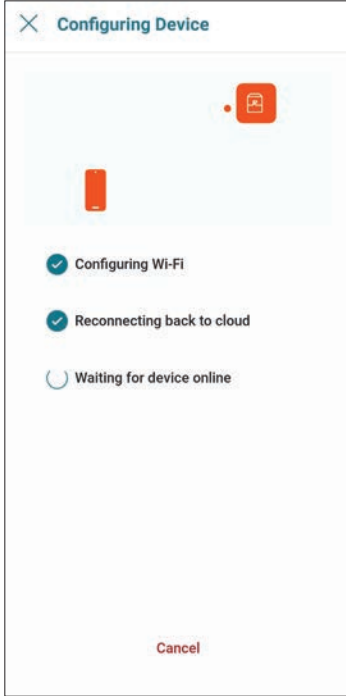


Figure 118. Configuring Device

10. Your device is now connected to Wi-Fi.

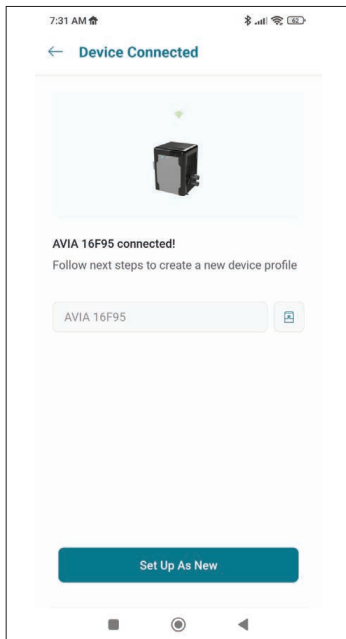


Figure 119. Name Your Unit

11. Press the "Set up as new" button to enter unit location, and other helpful info for future references. Press the "Apply recently used profile" button to use information previously applied to other heaters.

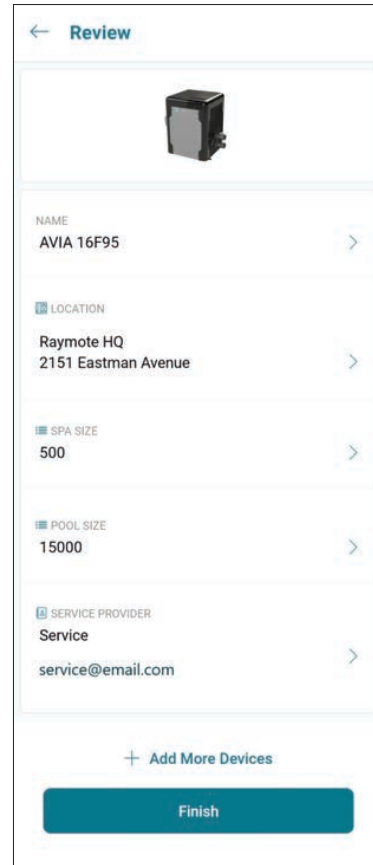


Figure 120. Device Setup Review

12. After completing the Raymote configuration, the unit will start broadcasting data to the Raymote cloud.

Add a New User to your Organization

• As the Organization owner, you can add members of your family, friends and others that will be able to interact with your Heaters.

• In Raymote Partner accounts, you can add members of your company to gain access to Heaters and Clients registered within your Organization.

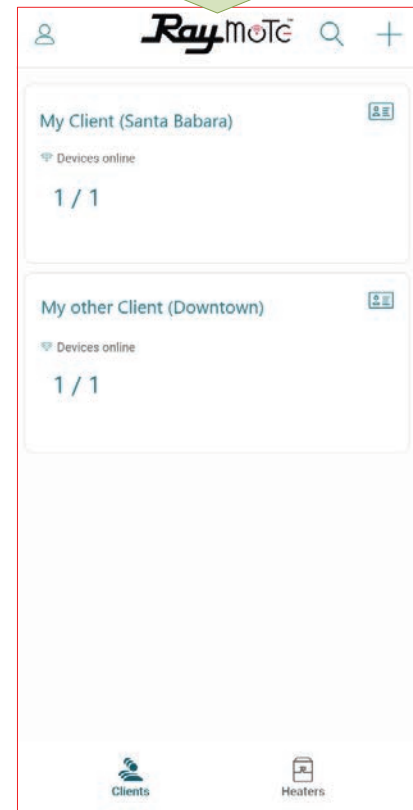
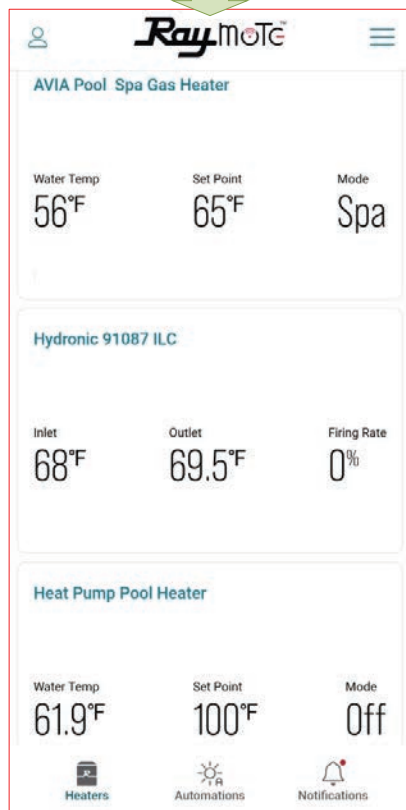
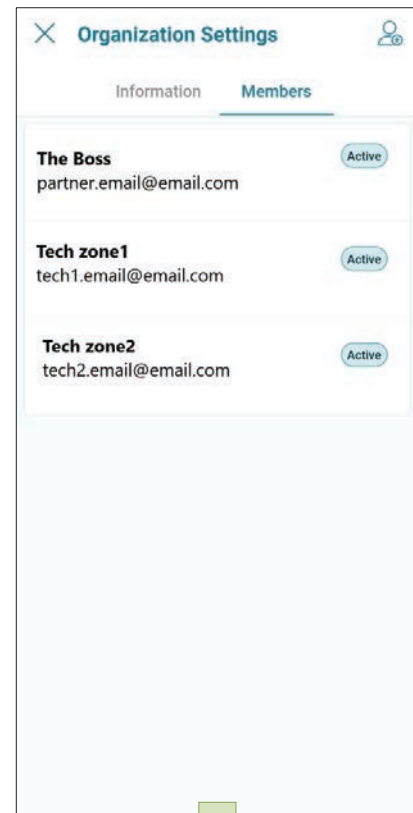
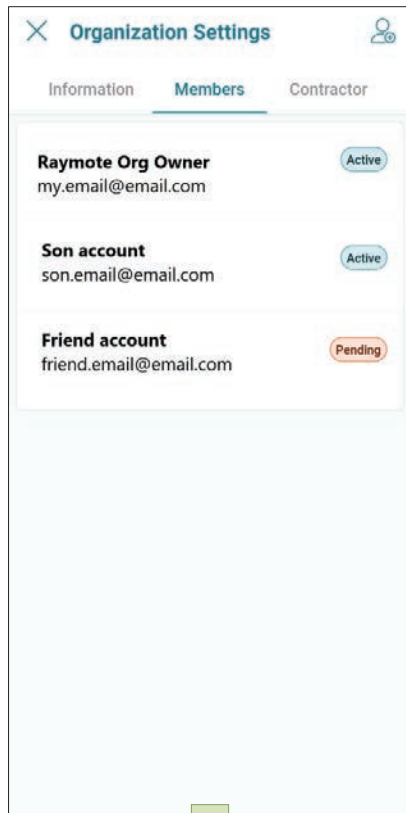


Figure 121. Organization Members Share Access to Heaters

Figure 122. Partners Accounts with Multiple Clients

Add a Member to your Organization

1. In your smartphone open Raymote app.
2. Click on top-left "User menu". Then, select "My Organization" option.

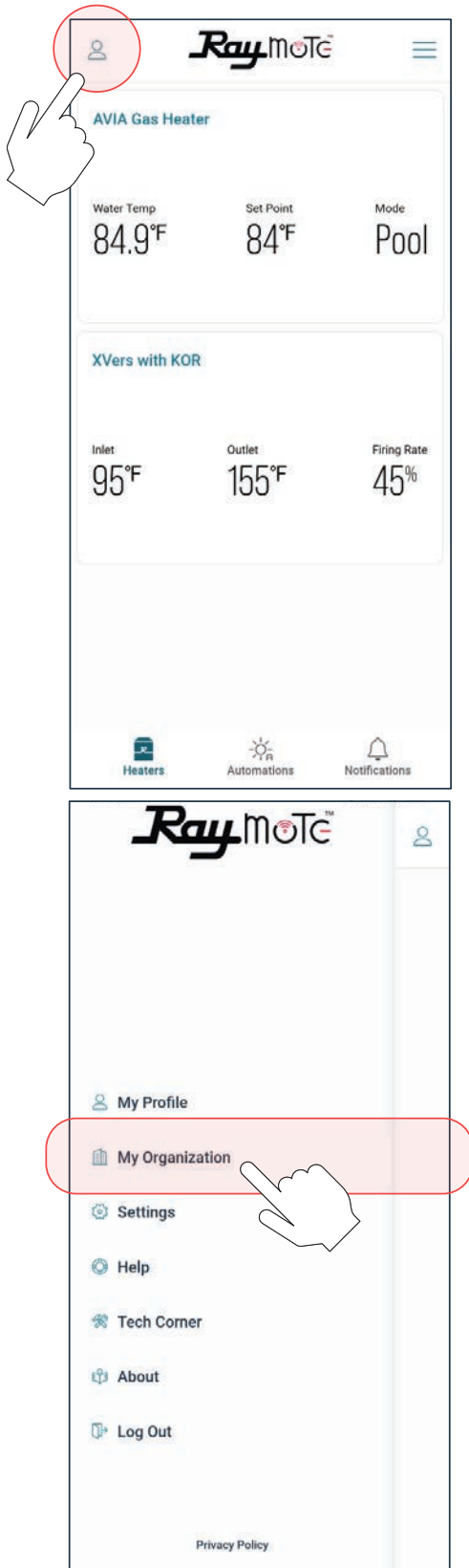


Figure 123. Select Organization Option

3. Go to "Members" tab. Member's list is displayed.
4. Click on the top-right icon to [Invite a New Member].

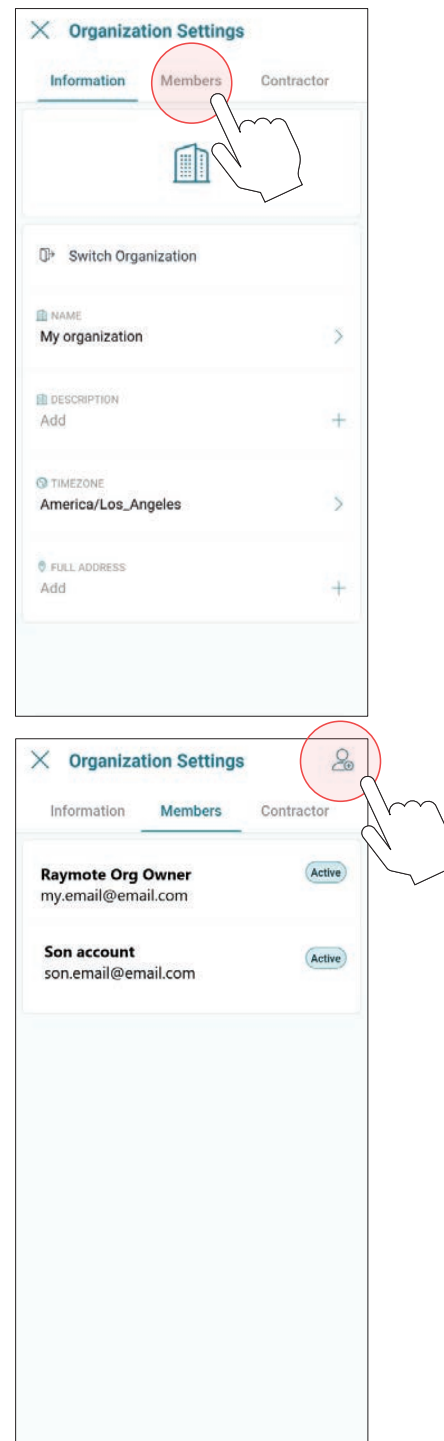


Figure 124. Invite a New Member to your Organization

5. Fill the invitation with new member's email, name, and role. Based on your selection, the new member can have different permits in your organization.
6. Click in the top-right icon to complete and send the invite. An email will be sent to the New Member to create a new Raymote user associated to your organization.

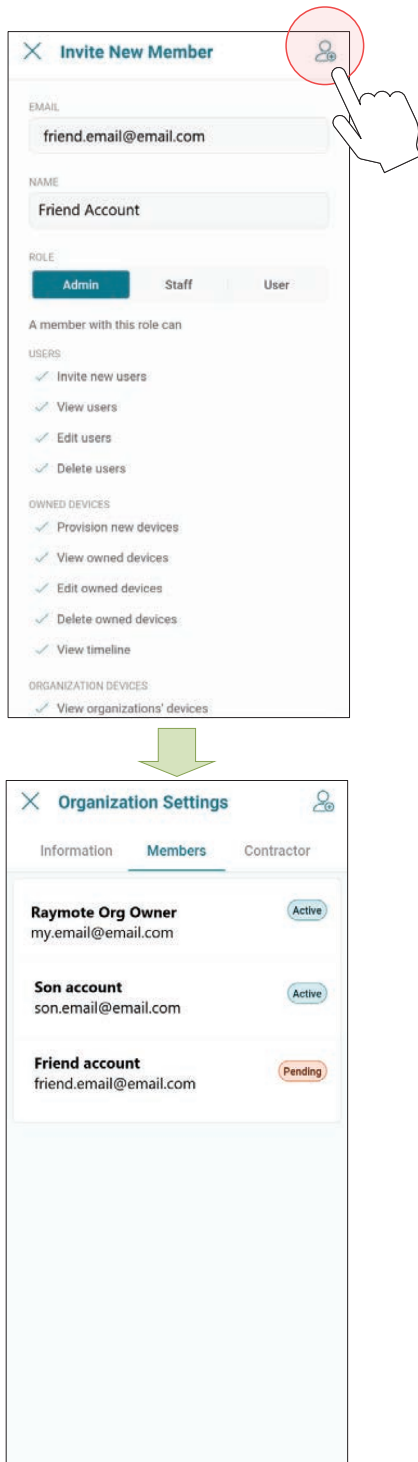


Figure 125. Invite a New Member

- IMPORTANT:** To complete the invitation, the new member needs to create a password from Raymote email invitation, to access your Raymote Organization.

Client Accounts: Invite a Contractor

By inviting a Contractor or Distributor, you are giving access to Heaters available in your organization to a third-party organization.

You can condition the access to your invited contractor as follows:

- For monitoring only.
 - To monitor and control your heaters.
 - Access can be permanent or restricted to a certain period.
1. In your smartphone, open Raymote App.
 2. Click on top-left "User menu".
 3. Then, select "My Organization" option.

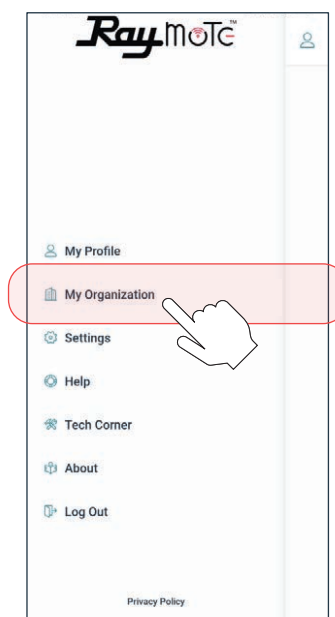
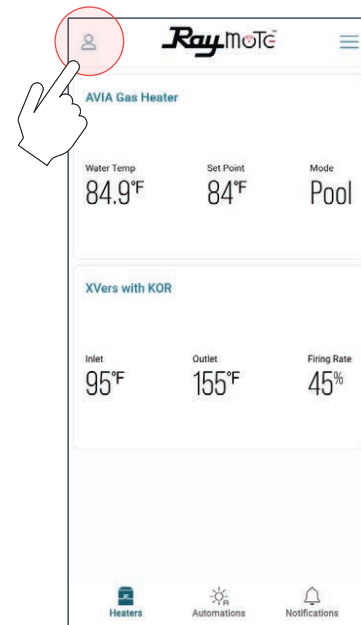


Figure 126. Select Organization Option

- Organization Settings page is displayed.
- Go to **[Contractor]** tab, and press [Invite Contractor].

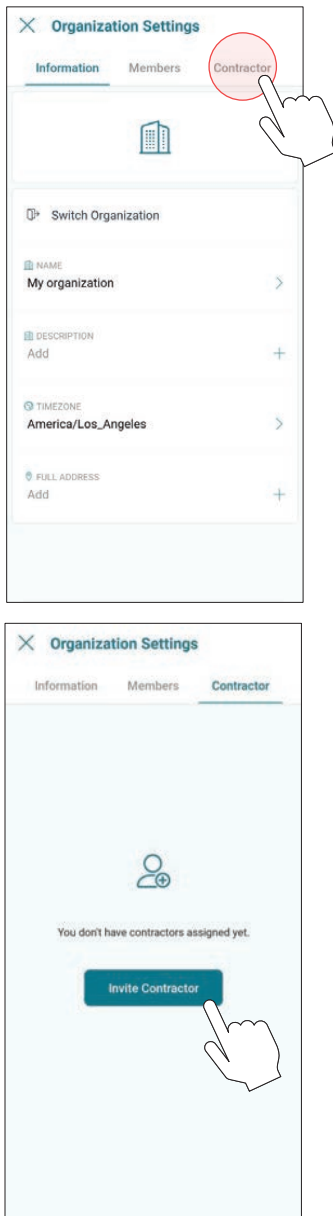


Figure 127. Click on “Invite Contractor”

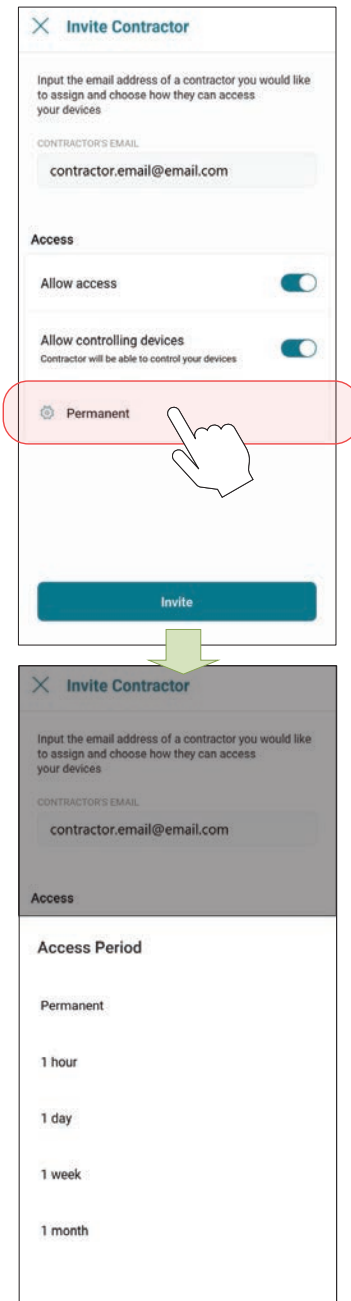


Figure 128. Enter Contractor Email and Access Level

IMPORTANT: Contractor must have an active Raymote “Partner” account to be able to connect your account with the contractor’s account.

- Add your contractor’s email and select the access options as needed:
 - **Allow access** - Allows the contractor to monitor your heaters.
 - **Allow controlling device** - Contractor can make changes to your heater configuration and create automation routines.
 - **Access Period** - Defines for how long the contractor can monitor or interact with your heaters.

- When ready, press **[Invite]**. An invitation/request will be sent to the contractor's Raymote account. When ready, press **[Invite]**. An invitation/request will be sent to the contractor's Raymote account.
- IMPORTANT:** To complete the invitation process ask your contractor to accept the request directly from their Raymote App account.
- When done, you can always edit the permissions, remove the contractor, or cancel the invitation in Organization’s settings, **[Contractor]** page.

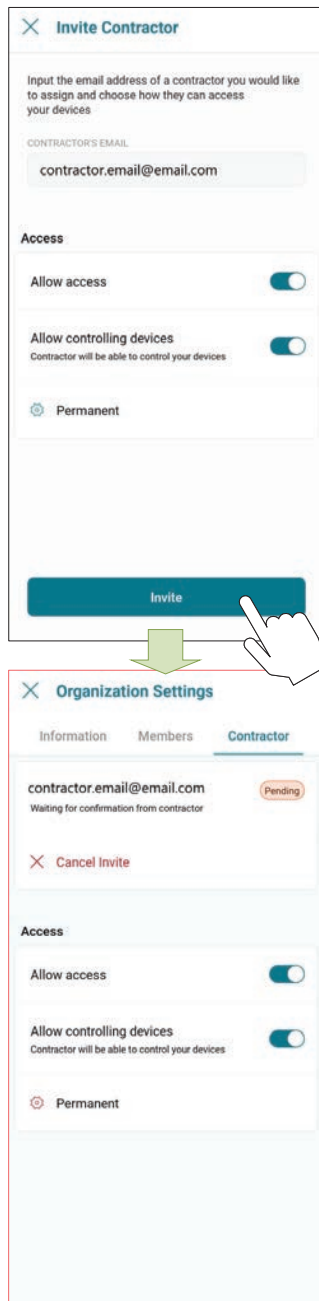


Figure 129. Send the Invite

NOTES:

•“Invite a contractor” option is only available for Raymote Client accounts.

•Contractor must have a Raymote Partner account to get requests from Client accounts.

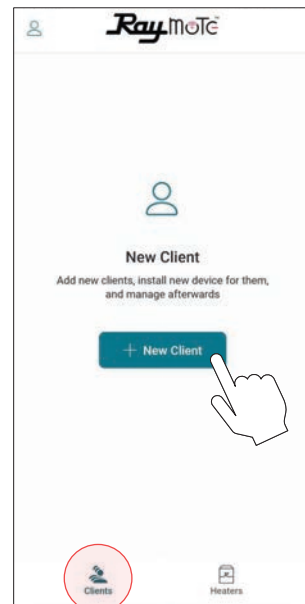
•Raymote Partner accounts can invite only new clients to Raymote. If the client already has a Raymote account, ask the client to send a request from “Contractor” option.

Partner Accounts: Invite new Clients

With a Raymote Partner account, “Contractor” or “Distributor”, you can:

- Invite and Manage New Clients
- Connect and configure your clients' heaters
- Monitor and Control Residential and Commercial heaters
- Create automation Routines and Alerts for your clients
- Invite Members to your Organization

1. In your smartphone, open Raymote App.
2. Click on bottom-left [Clients] icon.
3. Now, press [New Client] button or top-right [+] icon.



OR



Figure 130. Add a New Client to Raymote and your Organization

- Fill New Client form with your client's email, name, and address.
- When ready, press **[Create new client]**. An Raymote invite email will be sent to your new client.

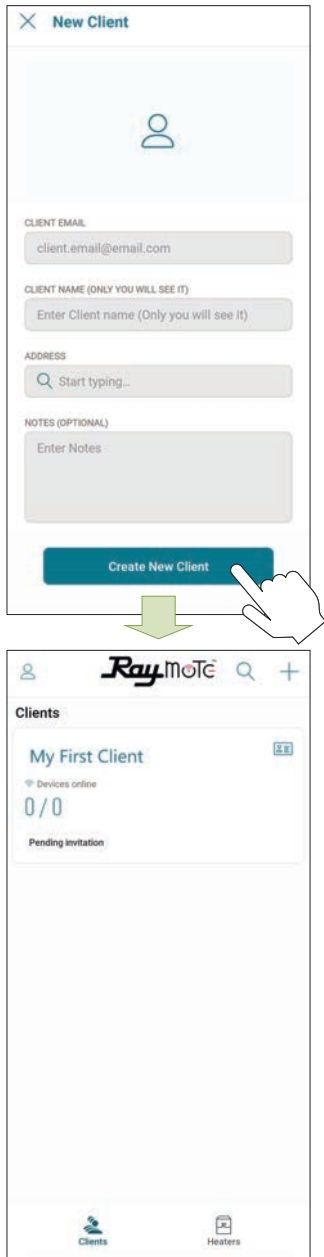


Figure 131. Enter Client Email and Invite

- Ask your **Client** to create a new Raymote account from the email invite.
- You can access your client's heaters by clicking in each client tile.

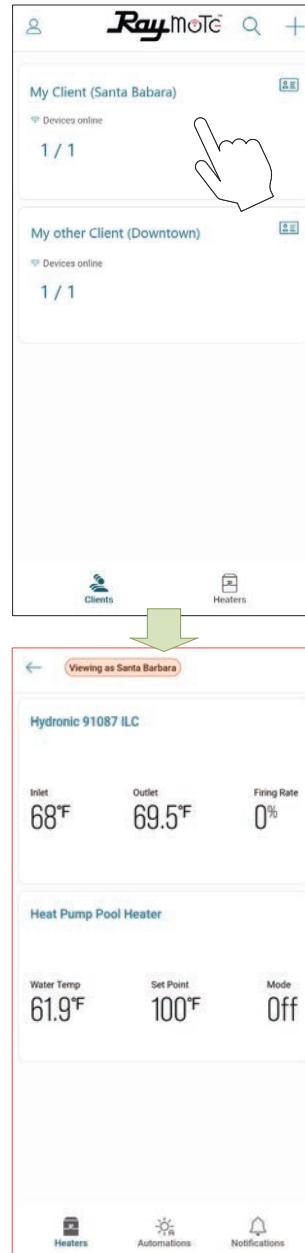


Figure 132. Access your Client's Heaters

NOTES:

•“Add New Client” option is only available for Raymote Partner accounts.

•Raymote Partner accounts can invite only new clients to Raymote. If the client already has a Raymote account, ask the client to send a request from “Contractor” option.

Switch to other Organizations

If your Raymote organization has 1 or more sub organizations, you can switch to other organization by using the Organization tree or search function.

1. Open the main menu by clicking the top left icon. See **Figure 133**.
2. On the main menu, click on the "Organization" option. See **Figure 134**.

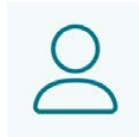


Figure 133. User Menu

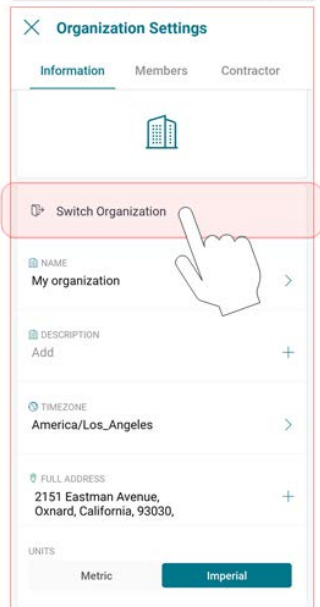
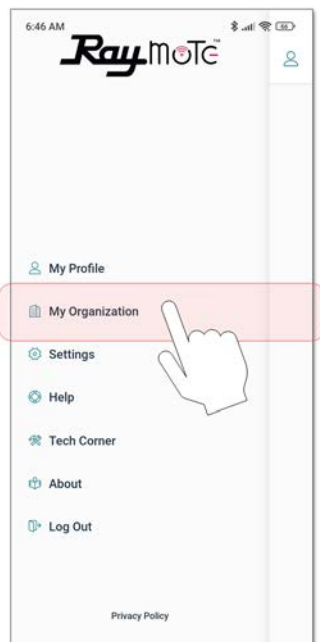
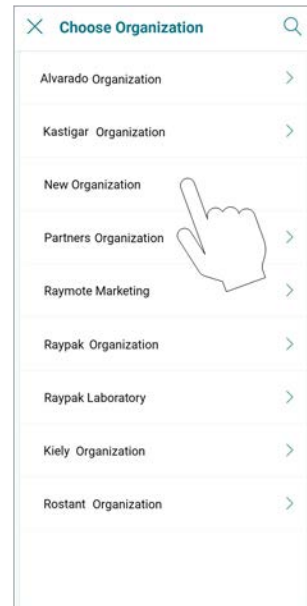


Figure 134. Switch Organization

3. In "Organization Settings" page, select "Switch organization" option.
4. "Choose organization" screen will be displayed and it will show all the available organizations. Navigate the sub Organization list or use the search tool to locate desired organization. See **Figure 135**.



OR

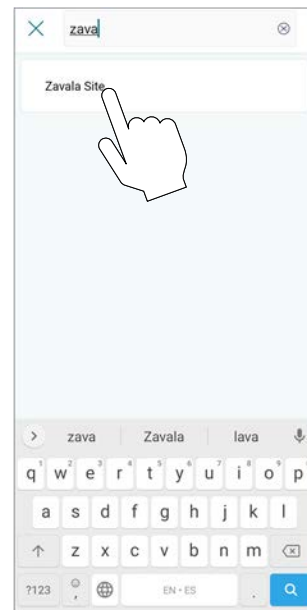


Figure 135. Choose Organization

Connectivity Troubleshooting

- With your cellphone check that Wi-Fi signal is available next to the unit. Ensure that your Wi-Fi network meets these specifications:
 - Supported Networks - Wi-Fi **2.4GHz** (802.11 b/g/n).
 - Password encryptions - WEP, WPA, WPA2.
 - Wi-Fi signal icon of 2 bars (-60dB) or better at heater location.

	Signal [dB]	Quality
	≥ -30	Excellent
	-50	Very Good
	-60	Good
	-70	Limited
	-80	Bad
	-90	Unreliable

Figure 136. Wi-Fi Signal

- Use the built-in Wi-Fi network options in your cellphone or use a Wi-Fi network scanner app like **Fing Network Scanner** for iPhone or **Wi-Fi Analyzer** for Android smart phones, to check signal strength.

If you are having troubles connecting your Heater to the Raymote app, try these common solutions:

- Check that Wi-Fi signal name and password are correct.
- In case of a change, proceed to Reset Wi-Fi credential from Heater Touchscreen and reconnect the heater with Raymote app.



Figure 137. Reset Wi-Fi Credential

- Check that your Wi-Fi signal strength is strong enough to reach the heater.
 - Reduce distance between Wi-Fi router and the heater.
 - Add a Wi-Fi range extender to cover heater zone or enable a new Wi-Fi access point.

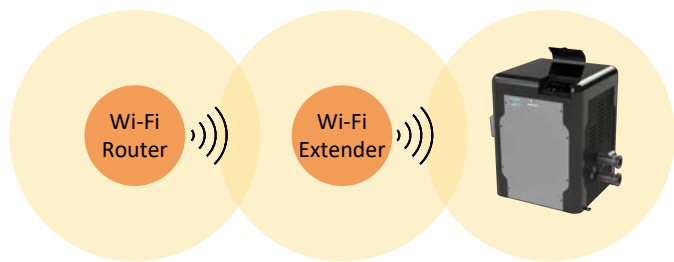


Figure 138. Wi-Fi Extender

- Update Raymote app to the latest version.



Figure 139. Update Application

- Power-cycle your heater and restart Raymote app.



Figure 140. Restart Raymote

- Check the settings on your router or Wi-Fi access point.
 - If needed, enable a dedicated 2.4 GHz network. 5GHz signals are not compatible with Raymote.
 - When applicable, ensure to have the permissions from IT or Building manager.
 - Check if MAC address whitelisting is required.
 - Check if Static IP is required.



Figure 141. Wi-Fi Access Point Settings

13. AUXILIARY CONTROL OUTPUT

NOTE: Use your smartphone camera to access detailed instructions for Auxiliary output scheduling with Raymote. <https://www.raypak.com/support/tech-corner/raymote-automation/>



The AVIA heater offers an integrated dry contact relay for local and remote control of ON/OFF devices like pumps, water features, valves and lights.

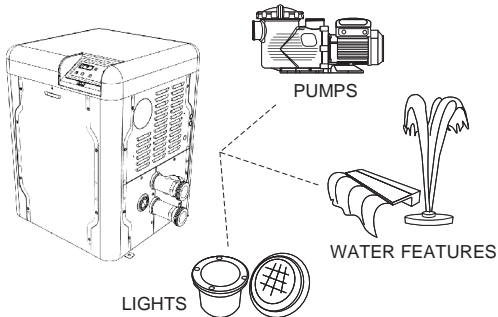


Figure 142. Device Relay Integration

Auxiliary output is available in terminal P9 “AUX”. Use the supplied harness to control ON/OFF functions or power switching.

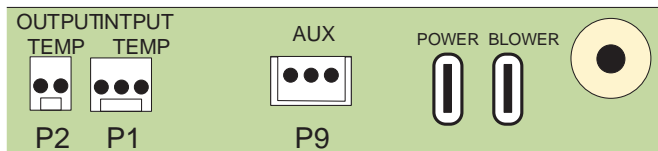
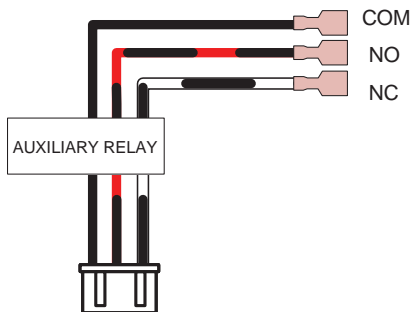


Figure 143. Auxiliary Terminal

AUX terminal can be used as direct control or as pilot relay to a higher rating relay or power contactor. **Table S** describes Auxiliary output terminals and ratings.

Terminal	Wire	AC Rating	DC Rating
Common	Black	250V Max, 3A	30V Max, 3A
Normally Open	Black and Red		
Normally Closed	Black and White		

Table S. Auxiliary Terminals and Ratings

CAUTION: Do not exceed Auxiliary relay rating. Check power requirements of any electric component connected to this device, following the applicable installation norms and requirements.

Use the knockout holes located next to water inlet panel to route auxiliary harness inside the cabinet to the controller board. See **Figure 144**.

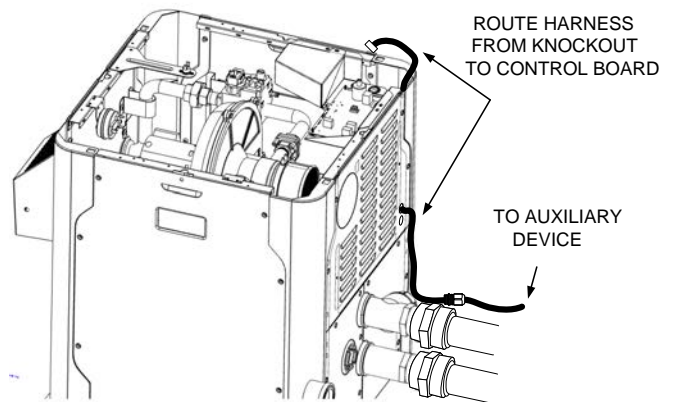


Figure 144. Route Communication Harness

It is recommended to use a 1/2" NPT liquid tight cord grip inserted in the panel knockout hole for better sealing.

NOTE:

- **P9 Auxiliary is a dry contact output:** It requires external power supply to energize connected devices. See Figure 145.
- **Load on P9 must not exceed 3 Amps.** If the load is larger than 3 Amps, use P9 auxiliary output to drive a field-installed contactor. See Figure 147.

The built-in Auxiliary output (P9) is a dry-contact relay output that can be used as a switch to control valves, lights and other devices.

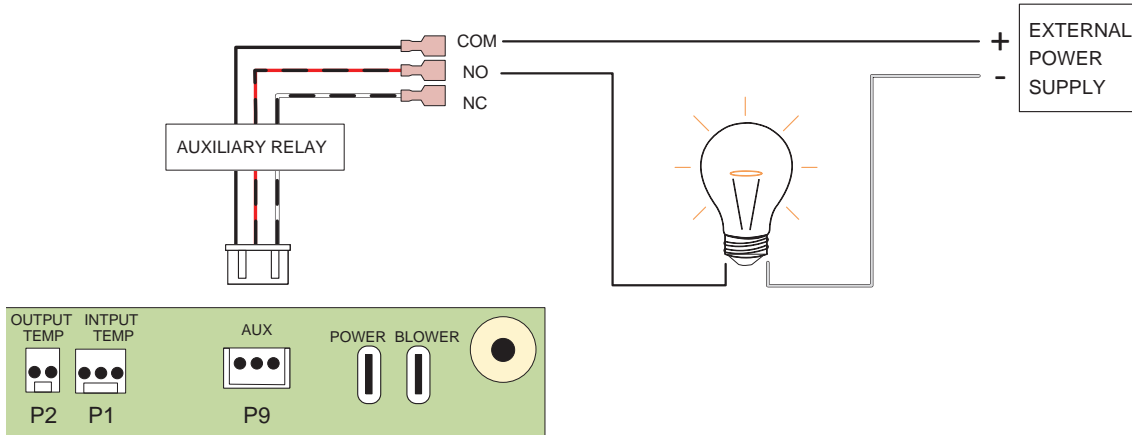


Figure 145. Auxiliary Relay

Use the Normally Closed (NC) and Normally Open (NO) terminals to drive a 3-way valve. This configuration typically uses an external 24 VAC supply.

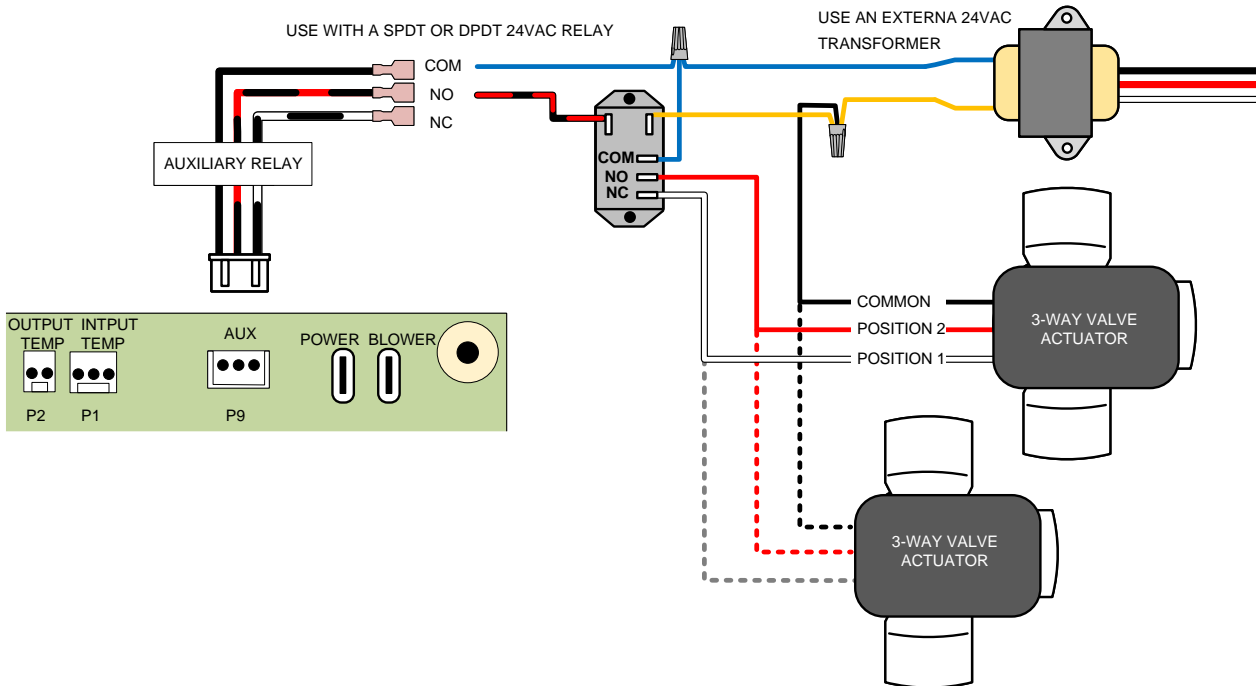


Figure 146. 3-Way Valve

NOTE: Ensure to select proper relay coil voltage and terminal current rating per your application.

For pumps, blowers and other applications rated above 3 Amps, use field-supplied DPST relay.

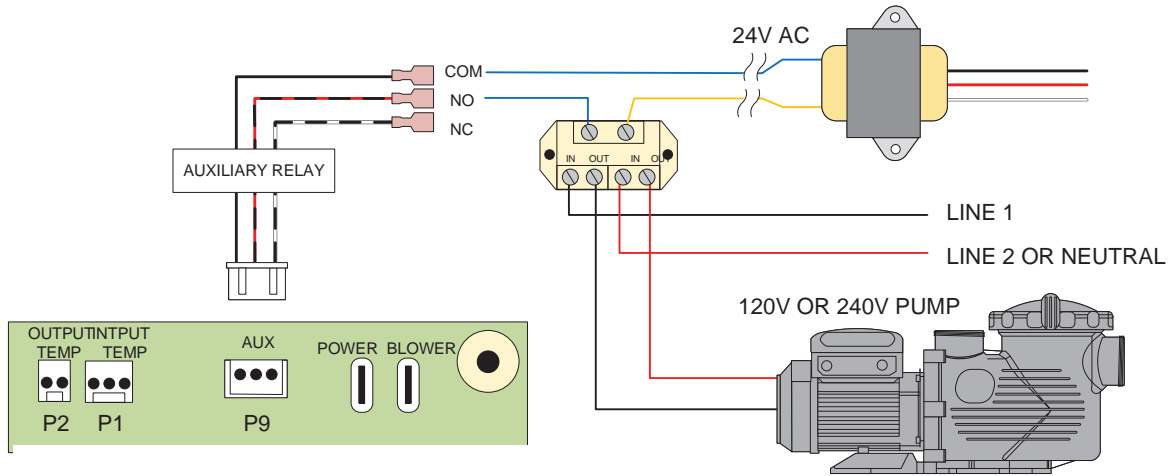


Figure 147. High Power Applications with Field-Supplied Relay

14. REPLACEMENT PARTS

NOTE: To supply you with the correct part, it is important that you supply the heater model number, serial number and type of gas when applicable.

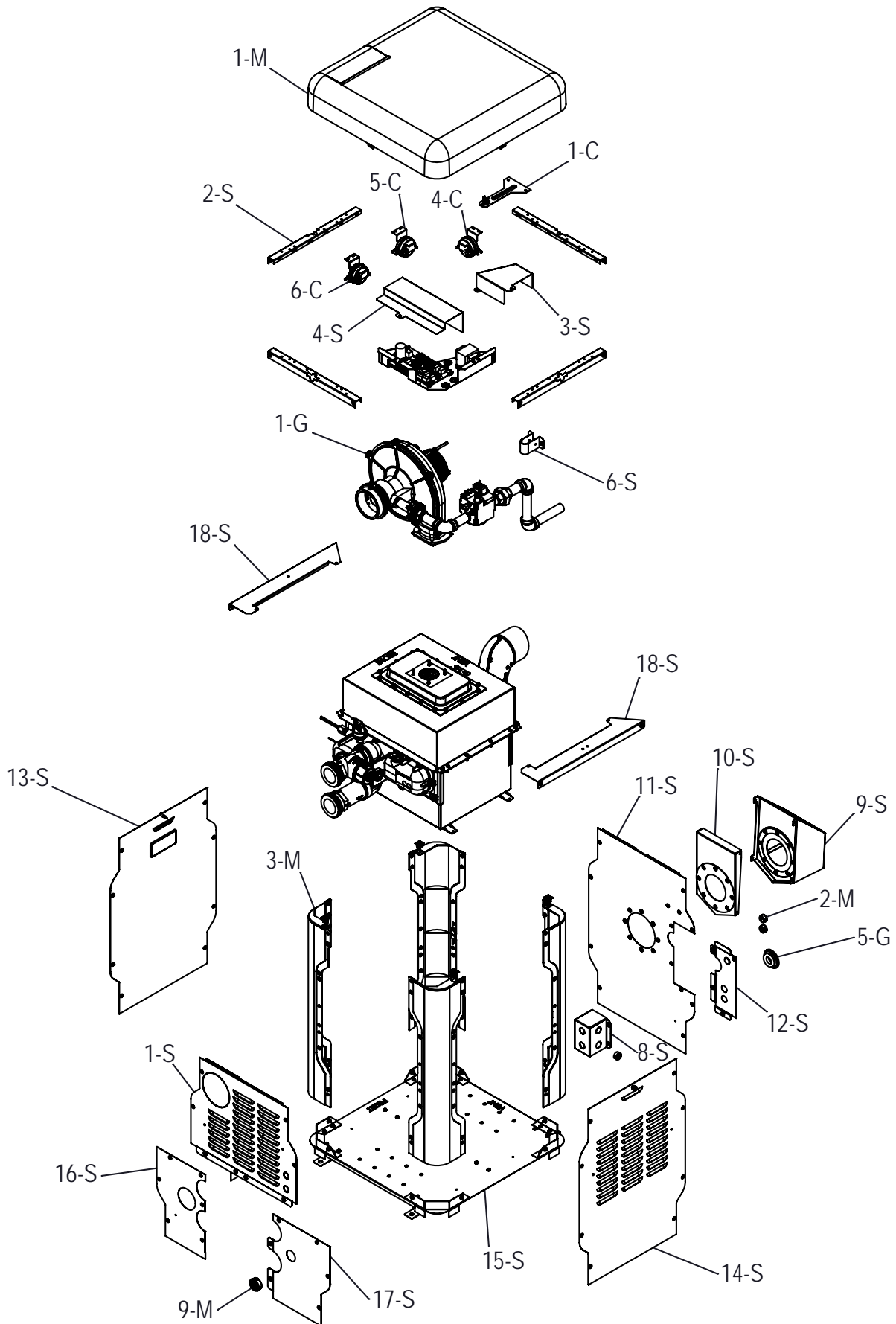
Any part returned for replacement under standard company warranties must be properly tagged with a return parts tag, completely filled in with the heater serial number, model number, etc., and shipped to the company freight prepaid.

If determined defective by the Company and within warranty, a like part or equal substitution will be returned, freight collect. Credit will not be issued.

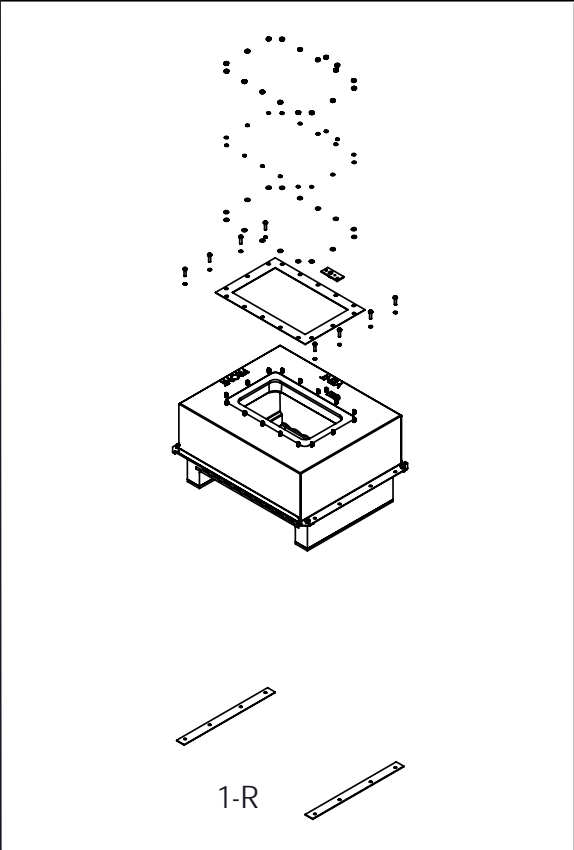
MANUFACTURER:

**Av. New York 207, Parque Industrial Oradel, C.P.
88285 Nuevo Laredo Tamps. Mexico**

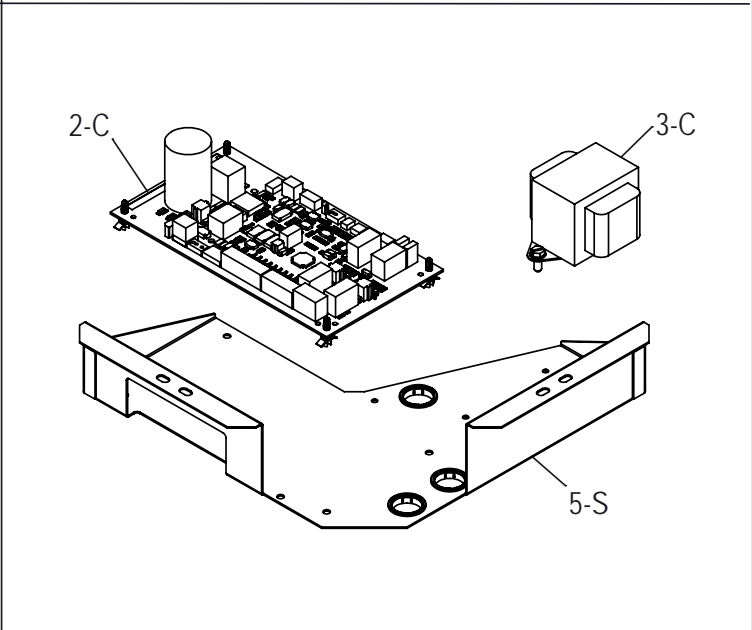
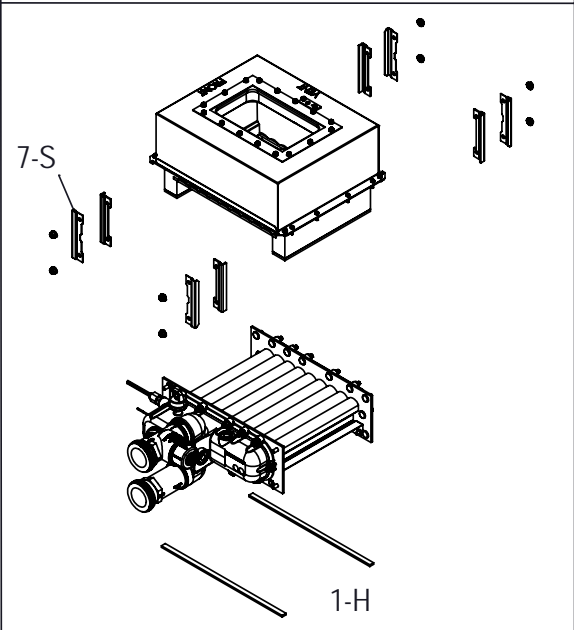
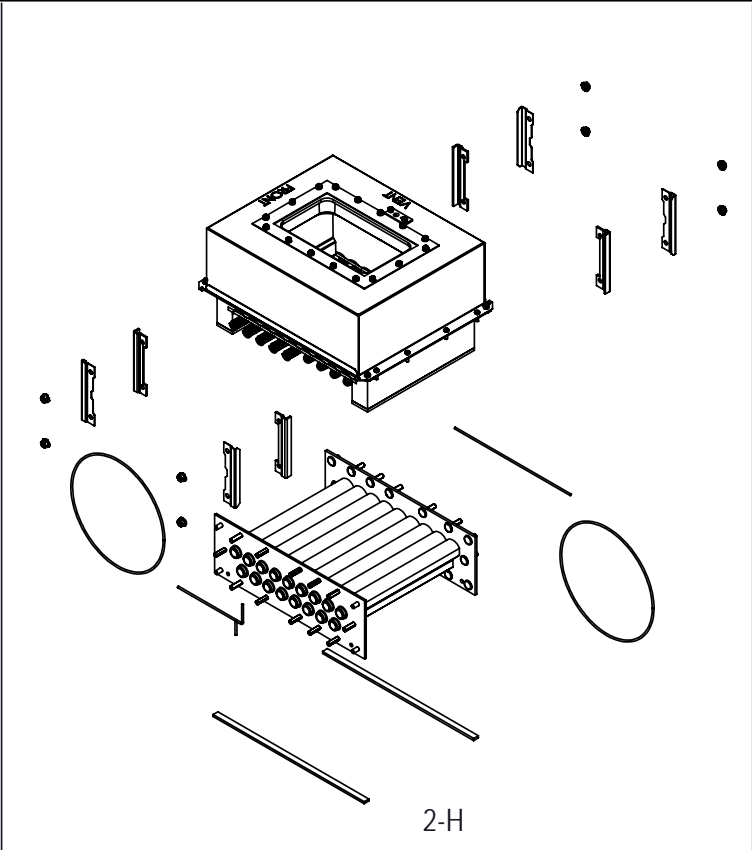
15. ILLUSTRATED PARTS LIST



REFRACTORY ASSY.



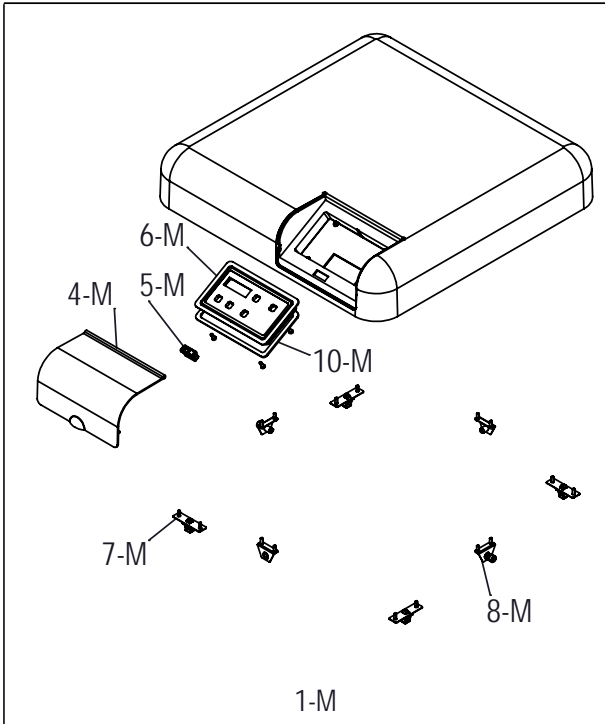
TUBE BUNDLE



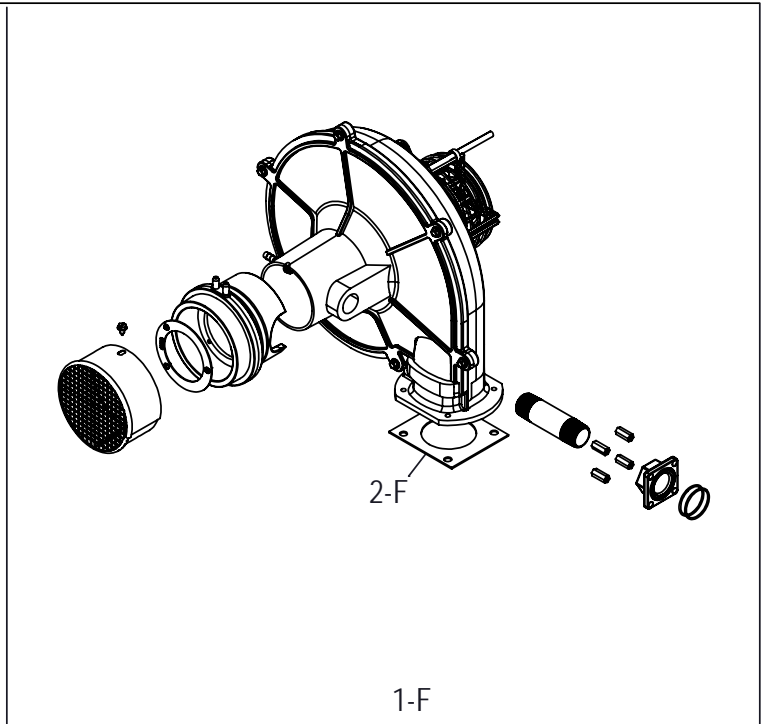
HEAT EXCHANGER

IGNITION BOARD & TRANSFORMER

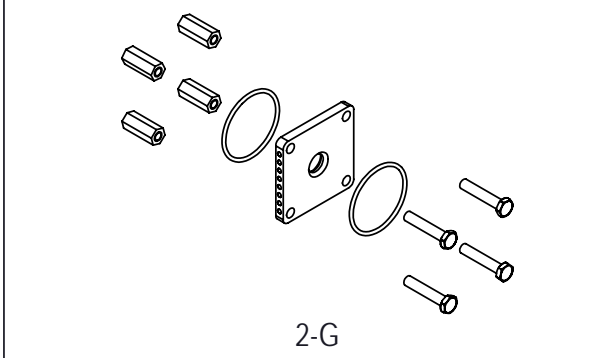
TOP COVER ASSY.



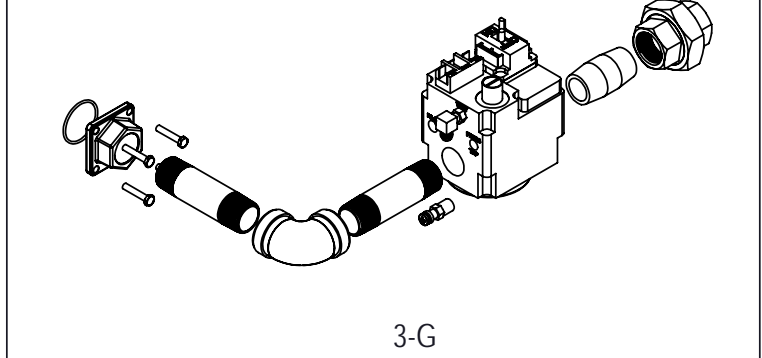
BLOWER ASSY.



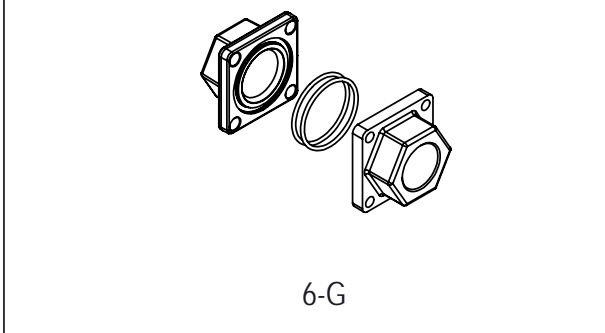
GAS ORIFICE



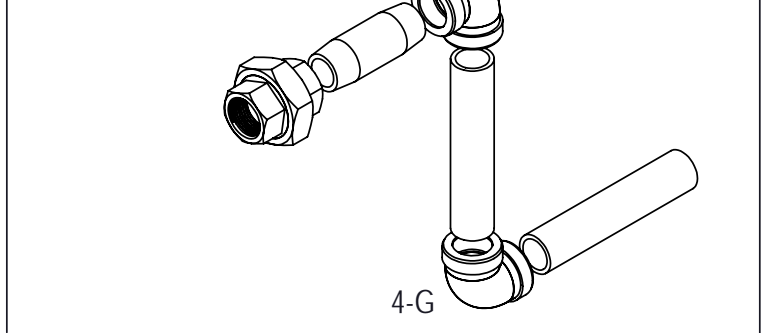
GAS VALVE



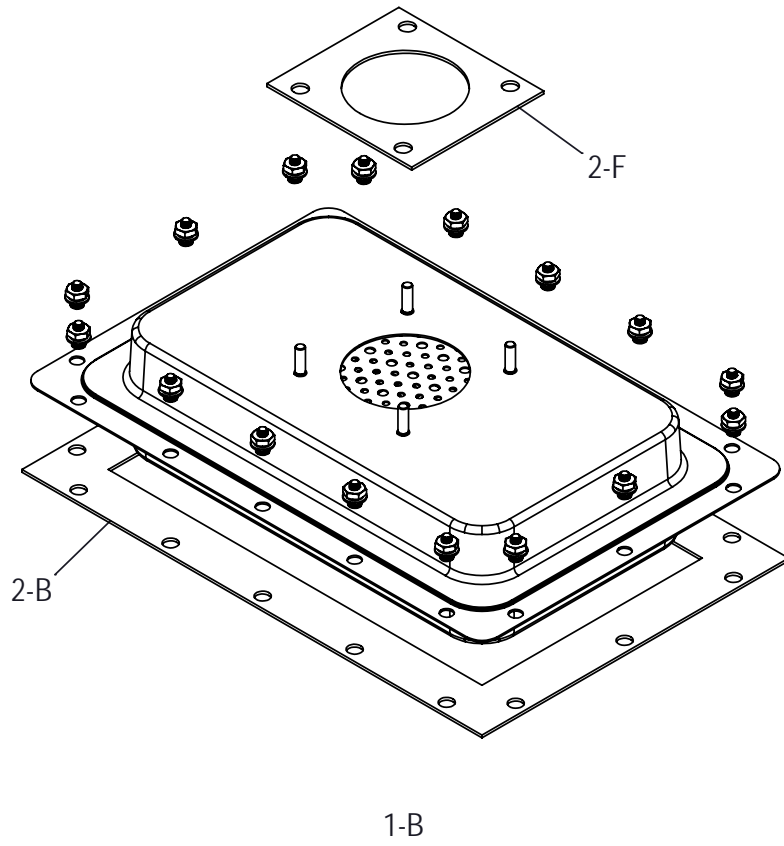
GAS ORIFICE ADAPTER



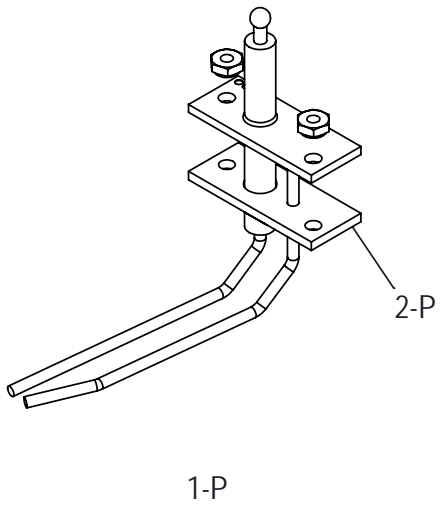
GAS LINE



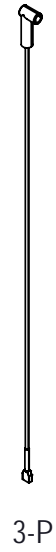
BURNER ASSY.



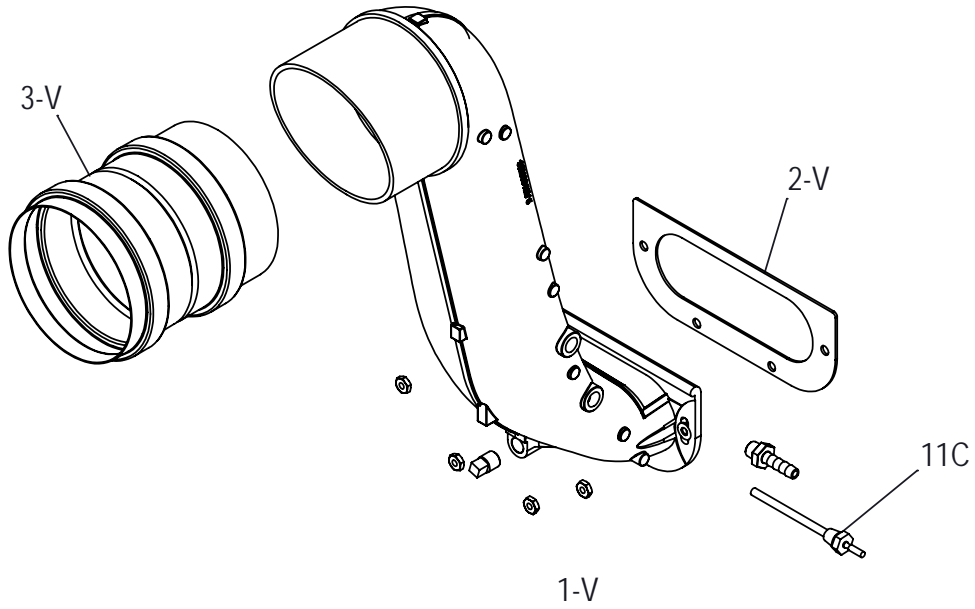
IGNITER



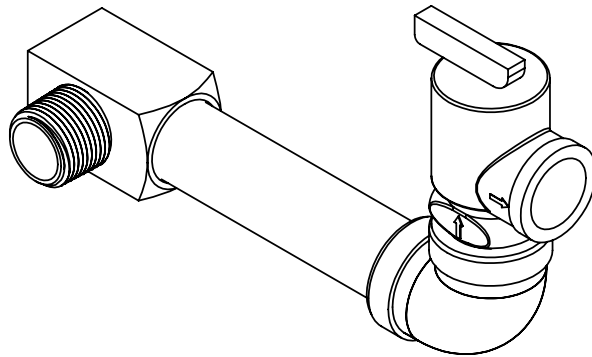
TENSION WIRE



FLUE EXHAUST, FLUE ADAPTER & VENT SENSOR

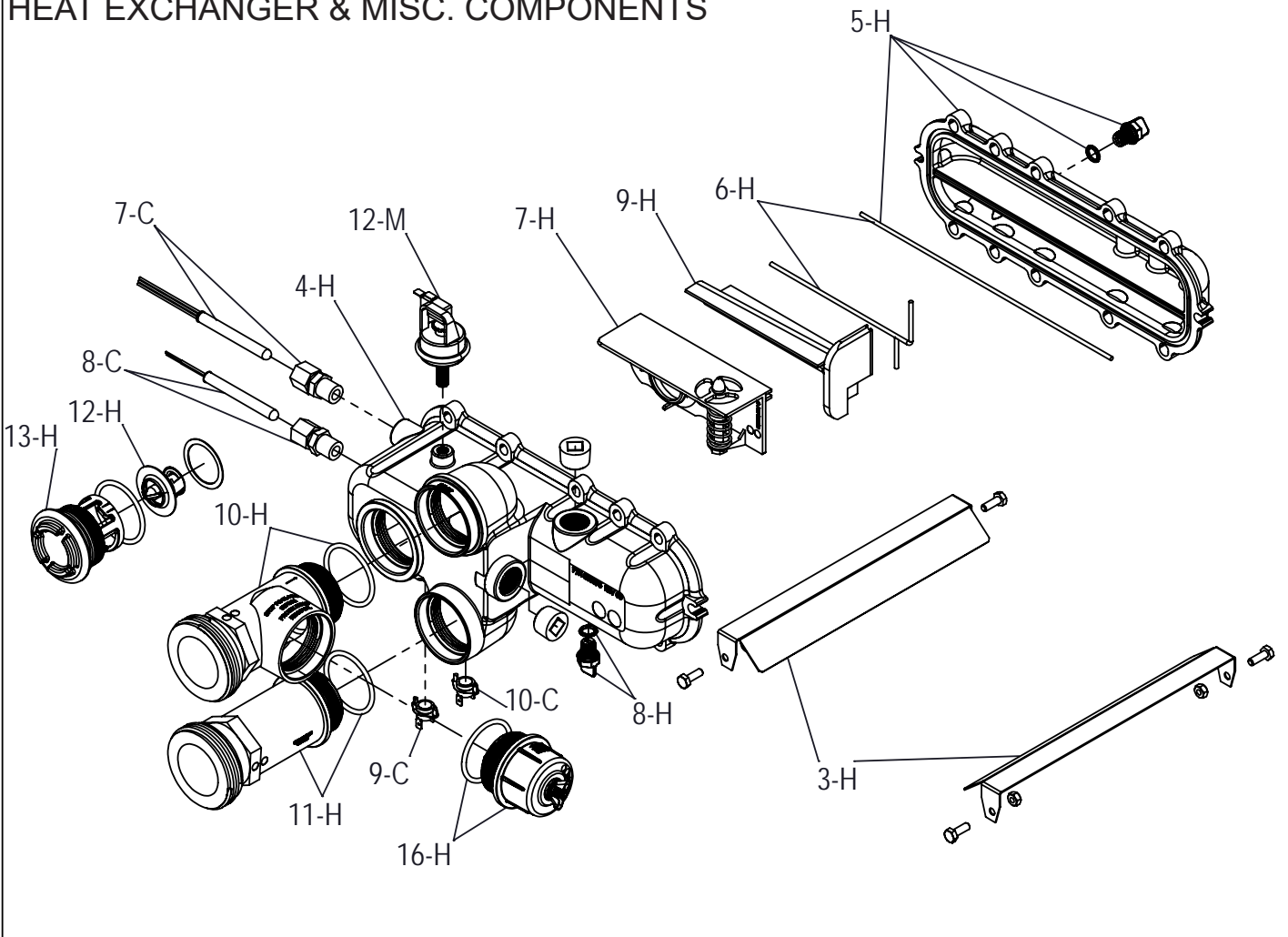


PRV LINE

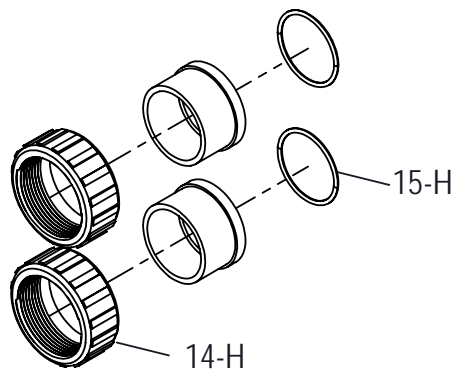


11-M (OPTIONAL)

HEAT EXCHANGER & MISC. COMPONENTS



CPVC CONNECTIONS



CALL OUT	DESCRIPTION	264A	404A
B	BURNER		
1-B	Kit-Burner	018873F	018873F
2-B	Kit-Burner Gasket	018878F	018878F
C	CONTROLS		
1-C	Kit-Temp Sensor Limit	018853F	018853F
2-C	Kit-Ignition Board	018857F	018933F
3-C	Kit-Transformer 120/240/24V	018858F	018858F
4-C	Kit-Pressure Vent	018928F	018928F
5-C	Kit-Pressure Air	018929F	018929F
6-C	Kit-Pressure Differential	018930F	018931F
7-C	Kit-Temperature Inlet Sensor	009577F	009577F
8-C	Kit-Temperature Outlet Sensor	019043F	019043F
9-C	Kit-High Limit 2-HL2-Surface Mount	019044F	019044F
10-C	Kit-High Limit 1-HL1-Surface Mount	019045F	019045F
11-C	Kit-Temperature Vent Sensor	019046F	019046F
F	FAN		
1-F	Kit-Blower Comb Air	018865F	018961F
2-F	Kit-Blower Gasket	018898F	018898F
G	GAS VALVE		
1-G	Blower/Gas Train Assy		
	Kit-Blower/Gas Train Natural (0-4500 Ft)	018861F	018862F
	Kit-Blower/Gas Train Propane (0-4500 Ft)	018863F	018864F
2-G	Gas Orifice		
	Kit-Gas Orifice Natural (0-4500 Ft)	018866F	018867F
	Kit-Gas Orifice Propane (0-4500 Ft)	018868F	018869F
3-G	Kit-Gas Valve w/ Gas Line Half	018870F	018870F
4-G	Kit-Gas Line End	018871F	018871F
5-G	Kit-Gas Line Grommet	010778F	010778F
6-G	Kit-Adapter Gas Orifice	018926F	018926F
H	HEAT EXCHANGER		
1-H	Kit-Heat Exchanger (Includes Refractory)	018900F	018901F
	Kit-Heat Exchanger Plastic Nickel Coated	019383F	019384F
2-H	Kit-Tube Bundle (Includes Refractory)*	018849F	018850F
	Kit-Tube Bundle Nickel Coated	019387F	019388F
3-H	Kit-Heat Exchanger Baffle	019047F	019048F
4-H	Kit-Inlet/Outlet Header Complete	019049F	019049F
	Kit-Inlet /Outlet Header	019050F	019050F
5-H	Kit-Return Header	019051F	019051F
6-H	Kit-Header Gasket (2)	019052F	019052F
7-H	Kit-Bypass Assy	019054F	019056F
8-H	Kit-Drain Plug Pool	006721F	006721F
9-H	Kit-Inlet/Outlet Header Dam	019059F	019059F
10-H	Kit-Inlet Header Adapter	019060F	019060F
11-H	Kit-Outlet Header Adapter	019061F	019061F
12-H	Kit-Unitherm Governor	019062F	019062F
13-H	Kit-Unitherm Governor Plug Polymer	006720F	006720F
14-H	Kit-2" CPVC Connector & Nut (2)	006723F	006723F
15-H	Kit-O Ring Inlet/Outlet Pool (2)	006724F	006724F
16-H	Kit-ProTek Shield Assy	017960F	017960F

*WARNING: The Hydraulic conditions or water chemistry that caused the tube bundle to fail have very likely also damaged the bypass valve. We recommend to inspect the bypass assembly. Failure to do so could cause premature failure of this replacement part.

M	MISCELLANEOUS COMPONENTS	264A	404A
1-M	Kit-Top Cover Assy	018852F	018852F
4-M	Kit-Top Lid	018902F	018902F
5-M	Kit-Rocker Switch SPST	009493F	009493F
6-M	Kit-Bezel	018904F	018904F
7-M	Kit-Top Clip Assy	018905F	018905F
8-M	Kit-Top Knurled Screw Assy	018906F	018906F
10-M	Kit-Bezel Gasket	018921F	018921F
2-M	Kit-Power Cable Grommet	018884F	018884F
3-M	Kit-Corner Post	018891F	018891F
9-M	Kit-PRV Grommet	018920F	018920F
11-M	Kit-PRV Line	018936F	018936F
12-M	Kit-Pressure Switch 1.75 PSI	006737F	006737F
22-M	Kit-Pressure Switch 11 PSI Special-See Water Pressure Switch Adj. (Not Shown)	009133F	009133F
13-M	Kit-Wire Bonding 14/6 Connector	007155F	007155F
14-M	Kit-Tube Air Sample (Blower/Vent/Air Pressure Switch)	010348F	010348F
15-M	Kit-Wire/Harness (Not Shown)	019064F	019064F
16-M	Touch-up Paint (Not Shown)		
	Cool Dark Gray	750256	750256
	Warm Dark Gray	750258	750258
	Maroon	750265	750265
17-M	Kit-Delimiting (Not Shown)	052871F	052871F
18-M	RTV Sealant 2.8 oz (Not Shown)	008924F	008924F
19-M	RTV Sealant 10 oz (Not Shown)	005755F	005755F
20-M	Kit-Elevation Propane (Not Shown)	018762F	018762F

CALL OUT	DESCRIPTION	264A	404A
P	PILOT		
1-P	Kit-Igniter Direct Spark	018874F	018874F
2-P	Kit-Igniter Gasket	018879F	018879F
3-P	Kit-Hi Tension Wire	018875F	018875F
R	REFRACTORY		
1-R	Kit-Refractory Assy	018848F	018848F
S	SHEET METAL / CABINET		
1-S	Kit-Top Right Panel Assy Raypak/Rheem/Ruud (Cool Dark Gray) Jacuzzi (Beige)	018851F 018973F	018851F 018973F
2-S	Kit-Cabinet Top Support	018854F	018854F
3-S	Kit-Transformer Cover	018855F	018855F
4-S	Kit-Ignition Board Cover	018856F	018856F
5-S	Kit-Ignition Board Mounting	018859F	018859F
6-S	Kit-Anti Rotation Gas Valve Bracket	018860F	018860F
7-S	Kit-Comb Chamber Seal	018872F	018872F
8-S	Kit-Junction Box	018876F	018876F
9-S	Kit-Vent Cover Assy	018881F	018881F
10-S	Kit-Vent Mounting Panel Raypak/Rheem/Ruud (Cool Dark Gray) Jacuzzi (Beige)	018882F 018977F	018882F 018977F
11-S	Kit-Panel Left Side Vent Raypak/Rheem/Ruud (Cool Dark Gray) Jacuzzi (Beige)	018883F 018976F	018883F 018976F
12-S	Kit-Panel Junction Box Cover Raypak/Rheem/Ruud (Cool Dark Gray) Jacuzzi (Beige)	018885F 018975F	018885F 018975F
13-S	Kit-Panel Front Raypak (Maroon) Rheem (Warm Dark Gray) Ruud (Cool Dark Gray) Jacuzzi (Beige)	018888F 018889F 018887F 018890F	018888F 018889F 018887F 018890F
14-S	Kit-Panel Rear Raypak (Maroon) Rheem/Ruud (Cool Dark Gray) Jacuzzi (Beige)	018893F 018894F 018895F	018893F 018894F 018895F
15-S	Kit-Base Assy	018892F	018892F
16-S	Kit-Bottom Right Panel UG Raypak/Rheem/Ruud (Cool Dark Gray) Jacuzzi (Beige)	018896F 018978F	018896F 018978F
17-S	Kit-Bottom Right Panel PRV Raypak/Rheem/Ruud (Cool Dark Gray) Jacuzzi (Beige)	018897F 018974F	018897F 018974F
18-S	Kit-Comb Chamber Support	018899F	018899F
V	VENTING		
1-V	Kit-Flue Exhaust	018877F	018877F
2-V	Kit-Flue Exhaust Gasket	018880F	018880F
3-V	Kit-Flue Adapter 4" SS	018932F	018932F
CONVERSION KITS*			
	Nat. to Pro.	018866F	018867F
	Pro. to Nat.	018868F	018869F

* Gas conversions are to be done only by a qualified agency.

16. IMPORTANT INSTRUCTIONS FOR THE COMMONWEALTH OF MASSACHUSETTS

The Commonwealth of Massachusetts requires compliance with regulation 248 CMR 4.00 and 5.00 for installation of through – the – wall vented gas appliances as follows:

(a) For all side wall horizontally-vented gas-fueled equipment installed in every dwelling, building or structure used in whole or in part for residential purposes, including those owned or operated by the Commonwealth and where the side wall exhaust vent termination is less than seven (7) feet above finished grade in the area of the venting, including but not limited to decks and porches, the following requirements shall be satisfied:

1. **INSTALLATION OF CARBON MONOXIDE DETECTORS.** At the time of installation of the side wall horizontally-vented gas-fueled equipment, the installing plumber or gasfitter shall observe that a hard wired carbon monoxide detector with an alarm and battery back-up is installed on the floor level where the gas equipment is to be installed. In addition, the installing plumber or gasfitter shall observe that a battery operated or hard wired carbon monoxide detector with an alarm is installed on each additional level of the dwelling, building or structure served by the side wall horizontal vented gas-fueled equipment. It shall be the responsibility of the property owner to secure the services of qualified licensed professionals for the installation of hard wired carbon monoxide detectors

a. In the event that the side wall horizontally-vented gas-fueled equipment is installed in a crawl space or an attic, the hard wired carbon monoxide detector with alarm and battery back-up may be installed on the next adjacent floor level.

b. In the event that the requirements of this subdivision can not be met at the time of completion of installation, the owner shall have a period of thirty (30) days to comply with the above requirements; provided, however, that during said thirty (30) day period, a battery operated carbon monoxide detector with an alarm shall be installed.

2. **APPROVED CARBON MONOXIDE DETECTORS.** Each carbon monoxide detector as required in accordance with the above provisions shall comply with NFPA 720 and be ANSI/UL 2034 listed and IAS certified.

3. **SIGNAGE.** A metal or plastic identification plate shall be permanently mounted to the exterior of the building at a minimum height of eight (8) feet above grade directly in line with the exhaust vent terminal for the horizontally-vented gas-fueled heating appliance or equipment. The sign shall read, in print size no less than one-half (1/2) inch in size, "GAS VENT DIRECTLY BELOW. KEEP CLEAR OF ALL OBSTRUCTIONS".

4. **INSPECTION.** The state or local gas inspector of the side wall horizontally-vented gas-fueled equipment shall not approve the installation unless, upon inspection, the inspector observes carbon monoxide detectors and signage installed in accordance with the provisions of 248 CMR 5.08(2)(a)1 through 4.

(b) **EXEMPTIONS:** The following equipment is exempt from 248 CMR 5.08(2)(a)1 through 4:

1. The equipment listed in Chapter 10 entitled "Equipment Not Required To Be Vented" in the most current edition of NFPA 54 as adopted by the Board; and

2. Product Approved side wall horizontally-vented gas-fueled equipment installed in a room or structure separate from the dwelling, building or structure used in whole or in part for residential purposes.

(c) **MANUFACTURER REQUIREMENTS - GAS EQUIPMENT VENTING SYSTEM PROVIDED.** When the manufacturer of Product Approved side wall horizontally-vented gas equipment provides a venting system design or venting system components with the equipment, the instructions provided by the manufacturer for installation of the equipment and the venting system shall include:

1. Detailed instructions for the installation of the venting system design or the venting system components; and

2. A complete parts list for the venting system design or venting system.

(d) **MANUFACTURER REQUIREMENTS - GAS EQUIPMENT VENTING SYSTEM NOT PROVIDED.** When the manufacturer of a Product Approved side wall horizontally-vented gas-fueled equipment does not provide the parts for venting the flue gases, but identifies "special venting systems", the following requirements shall be satisfied by the manufacturer:

1. The referenced "special venting system" instructions shall be included with the appliance or equipment installation instructions; and

2. The "special venting systems" shall be Product Approved by the Board, and the instructions for that system shall include a parts list and detailed installation instructions.

(e) A copy of all installation instructions for all Product Approved side wall horizontally-vented gas-fueled equipment, all venting instructions, all parts lists for venting instructions, and/or all venting design instructions shall remain with the appliance or equipment at the completion of the installation.

GAS PRESSURE SUPERVISION

The Commonwealth of Massachusetts requires listed high and low gas pressure switches (manual-reset) for any model with a maximum firing input greater than 1,000,000 Btu/Hr in accordance with 248 CMR 7.04(11)(d).

A gas pressure regulator (field-supplied) is required in the gas train ahead of the heater, for heaters having input rates greater than 1,000,000 Btu/Hr, in accordance with 248 CMR 7.04 Figure 3B requirements.

17. QR CODES

View this Installation Manual on your smart device.

The QR Codes will take you to the most current version of this manual. Previous versions of manuals can be found in the document library at Raypak.com.

[P/N: 100-10000111 AVIA Operation Instructions](#)

[AVIA Troubleshooting](#)



[P/N: 241945 Raymote Quick Start Guide](#)

[Raymote App](#)



[P/N: 242049 Protégé Quick Start Guide](#)

[Raymote Automation & Scheduling](#)

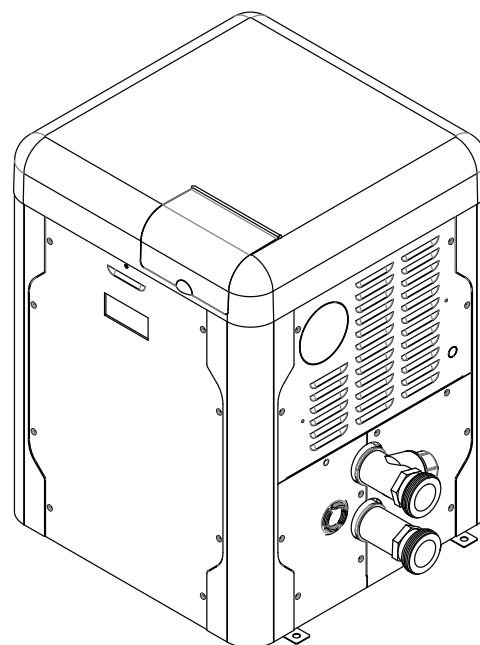


MANUEL D'INSTALLATION ET D'UTILISATION



Chauffe-piscine et spa au gaz

Modèles 264 et 404



AVERTISSEMENT: tout manquement aux présentes directives peut causer un incendie ou une explosion entraînant des dommages matériels, des blessures ou la mort.

- Ne pas entreposer ni utiliser de l'essence ou d'autres liquides ou vapeurs inflammables à proximité de cet appareil ou de tout autre appareil. Le non-respect de cette directive peut causer un incendie ou une explosion.
- **SI VOUS DÉTECTEZ UNE ODEUR DE GAZ**
 - Ne mettez aucun appareil en marche.
 - Ne touchez à aucun interrupteur électrique; n'utilisez aucun téléphone dans votre bâtiment.
 - Déplacez-vous immédiatement chez un voisin, d'où vous appellerez votre distributeur de gaz et suivez ses directives.
 - Si vous ne pouvez communiquer avec votre fournisseur de gaz, appelez le Service des incendies.
- L'installation et la réparation de cet appareil doivent être effectuées par un installateur qualifié, un centre de service licencié ou le fournisseur de service du gaz.

Ce manuel doit rester lisible et être rangé à proximité de l'appareil ou dans un lieu sûr pour une utilisation ultérieure.

⚠ AVERTISSEMENT: Tout manquement aux présentes directives peut causer un incendie ou une explosion entraînant des dommages matériels, des blessures ou la mort.

Ne pas entreposer ni utiliser de l'essence ou d'autres liquides ou vapeurs inflammables à proximité de cet appareil ou de tout autre appareil.

SI VOUS DÉTECTEZ UNE ODEUR DE GAZ:

- **Ne mettez aucun appareil en marche.**
- **Ne touchez à aucun interrupteur électrique; n'utilisez aucun téléphone dans votre bâtiment.**
- **Déplacez-vous immédiatement chez un voisin, d'où vous appellerez votre distributeur de gaz; et suivez ses directives.**
- **Si vous ne pouvez communiquer avec votre distributeur de gaz, appelez le Service des incendies.**

L'installation et la réparation de cet appareil doivent être effectuées par un installateur qualifié, un centre de service licencié ou le fournisseur de service du gaz.

GUIDE SIMPLIFIÉ

DISTANCES DE DÉGAGEMENT

- Emplacement d'installation: voir page **7-9**.
- Dégagements minimum et d'entretien: voir page **7**. À noter: les codes locaux ont priorité.

ALIMENTATION EN EAU

- Soupape de surpression: voir page **21** pour son orientation recommandée.
- Débits d'eau: voir page **19**.

ALIMENTATION EN GAZ

- Distance du régulateur (longueurs de tuyau) et diamètres: voir page **19**.
- Pression requise pour le gaz naturel:
min. = 3,5 po c.e. (dynamique); max. = 10,5 po c.e. (statique)
- Pression requise pour le propane:
min. = 8,0 po c.e. (dynamique); max. = 13,0 po c.e. (statique)
- Un collecteur de sédiments est requis pour toutes les installations: voir page **18**.

PARAMÈTRES D'EAU

- Composition chimique de l'eau: voir page **5**.

ALIMENTATION ÉLECTRIQUE

- Tension d'alimentation: voir page **24**.

VENTILATION

- Matériaux admissibles: voir pages **13, 15 et 16**.

MODULE DE COMMANDE

- Schémas de câblage: voir page **26**.
- Interface utilisateur: voir page **27**.
- Thermostat externe: voir page **36**.




La révision 5 tient compte des changements suivants: Garantie retirée du manuel. La garantie globale (100-10000378) remplace l'ancienne garantie. Ajout des pratiques exemplaires des organismes de réglementation du gaz à la page 19. Ajout ou Z-Flex 2SVSNA04.5 à noter dans le tableau H. Suppression des appels de flux de niveau 0 à niveau 2 pour l'article 7-H dans IPL.


TABLE DES MATIÈRES

1. AVERTISSEMENTS	4	Verrouillage du module	34
Portez une attention particulière aux termes suivants	4	Statut et diagnostics.....	34
Précautions générales	5	Installation et utilisation d'un thermostat externe	36
2. PARAMÈTRES D'EAU	5	Minuterie	38
Chlorateurs et dispositifs d'alimentation automatique	5	8. INSTRUCTIONS D'UTILISATION	44
3. AVANT L'INSTALLATION	6	Avant la mise en marche.....	44
Réception de l'équipement.....	6	Procédure de mise en marche	44
Homologations et certifications	6	9. MAINTENANCE ET ENTRETIEN	47
Altitude	6	Utilisation par temps froid.....	47
Alimentation électrique.....	6	10. DÉPANNAGE	48
Température de l'air ambiant.....	6	Organigramme de dépannage	49
4. INSTALLATION	6	Organigramme de la logique de contrôle	50
Codes d'installation	7	11. CONNECTIVITÉ WI-FI RAYMOTE	51
Dégagements.....	7	Préparatifs de connexion	52
Installation extérieure.....	7	Connecter un appareil au module Raymote.....	52
Air comburant et de ventilation.....	10	iPhone 6 et versions antérieures.....	56
Ventilation directe (DV) et conduits d'apport d'air comburant	10	Configuration du module de commande AVIA.....	58
Ventilation.....	13	12. APPLI MOBILE RAYMOTE	58
Raccordement du gaz	18	Paramètres d'utilisateur et d'organisation	58
Tableau des débits	19	Aide et soutien technique.....	61
Assemblage ProTek Shield	20	Écran principal	62
Régulateur Unitherm	20	Automatisation	63
Vanne de dérivation automatique interne.....	21	Mode Piscine-Spa.....	65
Vanne de dérivation auxiliaire externe	21	Écran Accessoires.....	67
Réglage de la vanne de dérivation auxiliaire	21	Réinitialisation Wi-Fi.....	68
Installation de la soupape de surpression.....	21	Reconnexion au Wi-Fi.....	68
Schéma de plomberie	23	Ajouter un nouvel utilisateur à l'organisation.....	73
Inversion des raccords d'eau/de ventilation	24	Comptes clients: inviter un entrepreneur	75
5. CÂBLAGE ÉLECTRIQUE	24	Compte partenaire: inviter de nouveaux clients	77
Capacité électrique requise.....	24	Transfert à une autre organisation	79
Câblage du transformateur	25	Dépannage: connectivité.....	80
6. SCHÉMA DE CÂBLAGE	26	13. RELAIS DE COMMANDE AUXILIAIRE	81
7. MODULE DE COMMANDE	27	14. PIÈCES DE RECHANGE	83
Retrait du couvercle de l'appareil.....	27	15. ILLUSTRATION DES PIÈCES	84
Réglages du module de commande	27	16. INSTRUCTIONS IMPORTANTES POUR LE COMMONWEALTH DU MASSACHUSETTS	92
Fonctionnement	28		
Menus d'entretien.....	28		
Menu programmation	31		


1. AVERTISSEMENTS

Portez une attention particulière aux termes suivants


 DANGER	Signale la présence de dangers immédiats qui causeront d'importants dommages matériels, de graves blessures ou la mort s'ils sont ignorés.
 AVERTISSEMENT	Décrit des risques ou des pratiques non sécuritaires qui causeront d'importants dommages matériels, de graves blessures ou la mort s'ils sont ignorés.
 ATTENTION	Décrit des risques ou des pratiques non sécuritaires qui causeront des dommages matériels, des blessures mineures ou endommageront le produit s'ils sont ignorés.
ATTENTION	ATTENTION utilisé sans le symbole d'alerte décrit une condition potentiellement dangereuse qui pourrait causer des dommages matériels, des blessures mineures ou endommager le produit si elle est ignorée.
NOTE	Décrit d'importantes instructions spéciales relatives à l'installation, l'utilisation ou l'entretien, mais qui ne risquent pas de causer de blessures.


 **AVERTISSEMENT: afin de minimiser les risques de dysfonctionnement, de graves blessures, d'incendie ou d'endommagement de la chaudière:**


- Gardez les environs de l'appareil libre de toute matière combustible, d'essence, de tout autre liquide ou vapeurs inflammables.
- L'appareil ne doit jamais être couvert et il ne faut jamais restreindre son apport d'air frais.


 **AVERTISSEMENT: la chambre de combustion de cet appareil est isolée avec de la fibre céramique réfractaire. Cette fibre ne contient pas de silice cristalline inhalable. Cependant, à la suite d'une exposition prolongée à des températures très élevées [plus de 2192°F (1200°C)], cette fibre peut se transformer en silice cristalline (cristabolite). Le Centre international de recherche sur le cancer (CIRC) estime que l'inhalation de silice cristalline (cristabolite) est cancérigène pour l'homme.**


Lors du retrait du brûleur ou de l'échangeur de chaleur, évitez de soulever de la poussière et d'inhaler d'éventuelles fibres en suspension dans l'air. Pour balayer un dégât, utilisez un balai humide ou un aspirateur muni d'un filtre à haute efficacité (HEPA) pour minimiser la mise en suspension de poussière dans l'air. Utilisez des techniques de contrôle de la poussière, comme l'utilisation d'un ventilateur d'extraction dans la pièce ou d'un système de collecte de la poussière pour minimiser la mise en suspension de poussière. Portez un équipement de protection individuelle approprié, y compris des gants, des lunettes de sécurité à protecteurs latéraux et une protection respiratoire certifiée NIOSH appropriée, afin d'éviter l'inhalation de poussière et de particules de fibres en suspension dans l'air.


 **AVERTISSEMENT: une installation, un réglage, une modification ou un entretien inadéquat peut causer des dommages matériels, des blessures ou la mort. L'installation et la réparation de cet appareil doivent être effectuées par un installateur qualifié, un centre de service licencié ou le fournisseur de service du gaz.**

 **AVERTISSEMENT: la manutention d'essence ou de tout autre produit ou liquide inflammable (adhésifs, solvants, diluant, etc.), ou leurs dégagements de vapeurs inflammables sont extrêmement dangereux. NE PAS utiliser ou entreposer d'essence ni aucune autre matière inflammable ou combustible à proximité de l'appareil.**

 **AVERTISSEMENT: une substance odoriférante est ajoutée au gaz naturel et au propane afin de faciliter la détection d'une éventuelle fuite. Certaines personnes ne reconnaissent pas cette odeur ou leur odorat ne fonctionne pas. Si cette odeur ne vous est pas familière, veuillez consulter votre fournisseur de gaz. En certaines circonstances cette odeur peut perdre son intensité, ce qui rend plus difficile la détection d'une fuite de gaz.**

 **AVERTISSEMENT: il est recommandé d'installer un avertisseur de gaz naturel ou de propane homologué UL dans les lieux où une concentration explosive de gaz pourrait s'accumuler; veuillez l'installer en conformité avec les recommandations de leur fabricant et les exigences de la réglementation locale.**

 **AVERTISSEMENT: ne pas installer à moins de 3 pieds (0,9 m) d'une pompe à chaleur ou d'une unité de condensation extérieure. Ce type d'équipement peut tirer un fort débit d'air et perturber la combustion dans l'appareil, ce qui pourrait causer des dommages ou des blessures.**

 **AVERTISSEMENT: l'appareil ne doit pas être installé dans un lieu où des gicleurs ou d'autres dispositifs peuvent pulvériser de l'eau à travers les grilles à lattes et dans l'appareil. Cela pourrait entraîner la formation de corrosion ou endommager les composants électriques, causant ainsi des dommages non couverts par la garantie.**

Précautions générales

De l'eau chauffée constitue une source de danger. La Commission américaine sur la sécurité des produits de consommation (CPSC) émet les directives suivantes:

1. La température de l'eau d'un spa ne doit jamais dépasser 40°C (104°F). Une température de 38°C (100 °F) est considérée sécuritaire pour un adulte en bonne santé. Portez une attention particulière aux jeunes enfants.
2. La consommation de boissons alcoolisées avant ou pendant l'utilisation d'un spa peut entraîner de la somnolence qui pourrait causer une perte de conscience et par la suite une noyade.
3. Avis aux femmes enceintes! L'immersion dans de l'eau chauffée à plus de 39°C (102°F) peut causer des lésions foetales pendant les trois premiers mois de la grossesse, comme des dommages cérébraux ou des difformités physiques. Les femmes enceintes ne devraient pas s'immerger dans de l'eau chauffée à plus de 38°C (100°F).
4. Avant d'entrer dans un spa, chaque utilisateur doit vérifier la température de l'eau à l'aide d'un thermomètre précis; la température indiquée par le thermostat d'un spa peut varier de jusqu'à 2,2°C (4°F) de la valeur réelle.
5. Les personnes ayant les antécédents médicaux suivants: maladies cardiaques, problèmes circulatoires, diabète ou haute tension artérielle doivent obtenir l'avis d'un médecin avant d'utiliser un spa ou un bain à remous.
6. Les personnes qui consomment des médicaments qui induisent la somnolence, comme des tranquillisants, antihistaminiques ou anticoagulants, ne devraient pas se baigner dans un spa.

2. PARAMÈTRES D'EAU

NOTE: le contact avec de l'eau corrosive annule toute garantie.

Un déséquilibre chimique peut gravement endommager la thermopompe et tout équipement qui y est raccordé. Maintenez les paramètres d'eau comme décrit au **Tableau A**. Si les teneurs en minéraux et en solides dissous dans l'eau sont supérieures aux valeurs recommandées, il se formera du tartre dans les tubes de l'échangeur de chaleur, cela réduira son efficacité et à terme, l'endommagera. Si le pH de l'eau est inférieur à 7,2, cela

entraînera la corrosion de l'échangeur de chaleur, ce qui l'endommagera gravement. **Les dommages causés à l'échangeur de chaleur résultant d'un déséquilibre chimique ne sont pas couverts par la garantie.**

Pour votre santé et la protection de l'équipement de votre piscine, il est essentiel que votre eau soit chimiquement équilibrée. Voici les valeurs correspondant à une eau équilibrée.

⚠ ATTENTION: la concentration de chlore libre ne peut être supérieure à 5 ppm, car cela peut causer des dommages non couverts par la garantie.

- L'administration d'un traitement-choc occasionnel à l'eau de la piscine ou du spa ne devrait pas endommager la thermopompe lorsque la composition chimique de l'eau est équilibrée.
- Les distributeurs automatiques de produits chimiques et les chlorateurs au sel sont généralement plus efficaces dans l'eau chauffée; ils doivent être bien réglés car une concentration excessive de chlore qui peut endommager l'appareil.
- Un clapet anti-retour doit être installé entre la sortie de l'appareil et un chlorateur ou tout autre distributeur de produits chimiques.
- Veuillez obtenir des conseils supplémentaires auprès du fabricant de votre piscine ou spa, d'un détaillant autorisé de piscines ou du fabricant des produits chimiques pour connaître les valeurs d'équilibre de votre eau.

Chlorateurs et autres distributeurs automatiques

Les produits chimiques doivent être entièrement dilués avant d'être recirculés dans l'appareil. Ne versez jamais de produits chimiques désinfectants dans l'écumoire, car cela peut entraîner la formation d'une concentration élevée de produits chimiques lorsque la pompe ne fonctionne pas (ex.: la nuit).

Le chlorateur doit se déverser en aval de l'appareil et doit être muni d'un dispositif anti-siphonnage ou d'un clapet anti-retour pour empêcher le refoulement de produits chimiques dans l'appareil lors de l'arrêt de la pompe de l'appareil. Voir "**Schéma de plomberie**" à la page 23.

NOTE: la présence d'une concentration élevée de produits chimiques, notamment causée par le dérèglement d'un distributeur automatique, entraînera une corrosion rapide de l'échangeur de chaleur. Ces dommages ne sont pas couverts par la garantie.

Valeur recommandée	Piscine fibre verre	Spa fibre de verre	Autres pisc./spas
Température	20-31°C (68-88°F)	31-40°C (89-104°F)	20-40°C (68-104°F)
pH	7,3-7,4	7,3-7,4	7,6-7,8
Alcalinité totale (ppm)	120-150	120-150	80-120
Dureté calcaire (ppm)	200-300	150-200	200-400
Sel (ppm)	4500 max.	4500 max.	4500 max.
Chlore libre (ppm)*	2-3	2-3	2-3
Matières tot. dissoutes (ppm)	3000 max.**	3000 max.**	3000 max.**

*La concentration de chlore libre **NE DOIT PAS EXCÉDER 5 ppm!**

**Dans les piscines chlorées au sel, la TDS peut atteindre 6000 ppm.

Tableau A. Paramètres d'eau de piscine

3. AVANT L'INSTALLATION

Réception de l'équipement

Le fabricant recommande fortement de lire attentivement ce manuel avant d'entreprendre l'installation de l'appareil. Pour toute question sans réponse dans le manuel, veuillez joindre le fabricant ou votre représentant local.

À la réception de l'appareil, il est suggéré d'inspecter la caisse d'expédition afin de détecter d'éventuels dommages. Si la caisse est endommagée, ajoutez une note à cet effet sur le connaissance, avant de signer le bon de réception. Retirez l'appareil de la caisse. Signalez immédiatement tout dommage au transporteur. Conservez la caisse.

Articles dans la caisse d'expédition de l'appareil:

Appareil standard

1. (2) Embouts CPVC 2 po
2. (2) Raccords CPVC 2 po
3. (2) Joints toriques
4. (1) Adaptateur 120 V pour ventilateur
5. (1) Harnais de câble 3 fils pour thermostat externe
6. (1) Harnais / Terminal auxiliaire
7. (1) Guide de démarrage Raymote

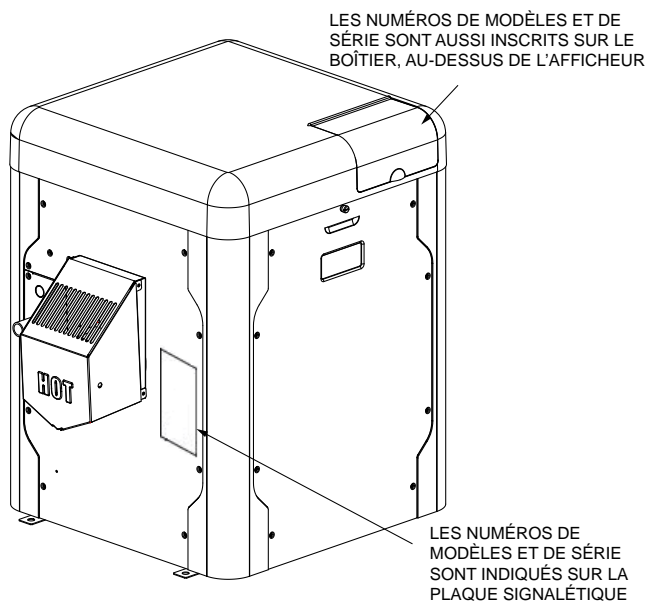


Figure 1. Plaque signalétique

Assurez-vous de recevoir le bon nombre de colis, tel qu'indiqué sur le connaissance.

Homologations et certifications

Ces appareils sont conçus et testés selon les plus récentes exigences de la norme ANSI Z21.56/ CSA 4.7 pour les chauffe-piscine à gaz. Cet appareil est également certifié selon SCAQMD 1146.2 et SJVAPCD, Rule 4308. Cet appareil peut être utilisé à l'extérieur ou à l'intérieur lorsqu'il est ventilé de manière appropriée. Voir la section "Ventilation" à la page 13 pour plus d'information. Le couvercle d'évacuation désigné pour chaque type d'utilisation doit être installé.

Altitude d'installation

NOTE: cet appareil est approuvé pour une installation jusqu'à une altitude de 4 500 pi, selon CAN/CGA-2.17-M91.

Les valeurs nominales de fonctionnement restent les mêmes jusqu'à une altitude de 4 500 pi (1 372 m). Gaz naturel: approuvé pour une installation jusqu'à une altitude de 10 000 pi; propane: nécessite kit de conversion 018762F pour installation de 4501 à 7800 pi d'altitude.

Alimentation électrique

Nécessite une alimentation 240 VCA (par défaut) ou 120 V, 1 pH, 60 Hz. Ne pas raccorder à une alimentation 50 Hz.

Température de l'air ambiant

Cotes de température des composants

-35°C à 79°C (-32°F à 175°F).

4. INSTALLATION

⚠ AVERTISSEMENT: la chambre de combustion de cet appareil est isolée avec de la fibre céramique réfractaire. Cette fibre ne contient pas de silice cristalline inhalable. Cependant, à la suite d'une exposition prolongée à des températures très élevées [plus de 2192°F (1200°C)], cette fibre peut se transformer en silice cristalline (cristabolite). Le Centre international de recherche sur le cancer (CIRC) estime que l'inhalation de silice cristalline (cristabolite) est cancérigène pour l'homme.

Lors du retrait du brûleur ou de l'échangeur de chaleur, évitez de soulever de la poussière et d'inhalier d'éventuelles fibres en suspension dans l'air. Pour balayer un dégât, utilisez un balai humide ou un aspirateur muni d'un filtre à haute efficacité (HEPA) pour minimiser la mise en suspension de poussière dans l'air. Utilisez des techniques de contrôle de la poussière, comme l'utilisation d'un ventilateur d'extraction dans la pièce ou d'un système de collecte de la poussière pour minimiser la mise en suspension de poussière. Portez un équipement de protection individuelle approprié, y compris des gants, des lunettes de sécurité à protecteurs latéraux et une protection respiratoire certifiée NIOSH appropriée, afin d'éviter l'inhalation de poussière et de particules de fibres en suspension dans l'air.

NOTE IMPORTANTE: Les présentes instructions sont destinées à des personnes qualifiées, spécialement formées et expérimentées dans l'installation et l'entretien de ce type d'appareil et de ses composants connexes. Dans certaines régions, les techniciens d'entretien pour ce type d'équipement doivent détenir une licence. Si c'est le cas dans votre région, assurez-vous que votre entrepreneur détient la licence appropriée. Les personnes non qualifiées ne doivent pas tenter de réparer l'appareil ni d'effectuer les réparations décrites au présent manuel.

AVERTISSEMENT: une installation, un réglage, une altération, un entretien ou une maintenance inappropriés peuvent endommager l'équipement et créer un risque pouvant causer une asphyxie, une explosion, un incendie, ou des dommages non couverts par la garantie.

Codes d'installation

L'installation doit être conforme aux exigences des codes locaux ou, en l'absence de codes locaux, à la plus récente édition du National Fuel Gas Code, ANSI Z223.1/NFPA54 et du National Electrical Code, ANSI/NFPA 70, et au Canada, à la plus récente édition des Codes d'installation CSA-B149 et du Code canadien de l'électricité, CSA C22.1, parties 1 et 2.

AVERTISSEMENT: cet appareil doit être installé conformément aux exigences du NFPA 54/ANSI Z223.1 aux États-Unis et du CSA-B149 au Canada et à celles de toute autre autorité compétente.

Dégagements

Tous les modèles

Pour les dégagements aux surfaces combustibles, à l'intérieur comme à l'extérieur, voir Tableau B ci-dessous.

Partie de l'appareil	Installation intérieure
Dessus	Dégagé
Avant	0 po
Plancher	0 po
Arrière	0 po
Côté droit	3 po (76 mm) du panneau - Côté eau
Côté gauche	3 po (76 mm) du panneau - Côté ventilation

Partie de l'appareil	Installation extérieure
Dessus	Dégagé
Avant	0 po
Plancher	0 po
Arrière	0 po
Côté droit	3 po (76 mm) du panneau - Côté eau
Côté gauche	6 po (152 mm) du couvercle d'évacuation

Tableau B. Dégagements minimum aux matières combustibles

Pour faciliter l'entretien, nous recommandons un dégagement d'au moins 24" (610 mm) pour les côtés gauche et droit, ainsi qu'au-dessus. Cela permettra à l'appareil d'être entretenu sans désinstallation de composants.

Une installation avec des dégagements d'entretien inférieurs au minimum pourrait forcer la désinstallation de l'appareil lors d'un entretien de l'échangeur de chaleur ou du brûleur. De plus, l'appareil doit être installé de manière à permettre son entretien sans qu'il ne soit nécessaire de déplacer d'autres appareils installés à proximité.

Revêtement de sol

Cet appareil peut être installé sur un plancher combustible.

Installation extérieure

Ces appareils de chauffage sont conçus et certifiés pour une installation extérieure, lorsqu'ils sont équipés du couvercle d'évacuation désigné pour une utilisation extérieure.

AVERTISSEMENT: l'appareil ne doit pas être installé dans un lieu où des gicleurs ou d'autres dispositifs peuvent pulvériser de l'eau à travers les grilles à lattes et dans l'appareil. Cela pourrait entraîner la formation de corrosion ou endommager les composants électriques, causant ainsi des dommages non couverts par la garantie.

AVERTISSEMENT: ne pas installer à moins de 3 pieds (0,9 m) d'une pompe à chaleur ou d'une unité de condensation extérieure. Ce type d'équipement peut tirer un fort débit d'air et perturber la combustion dans l'appareil, ce qui pourrait causer des dommages ou des blessures.

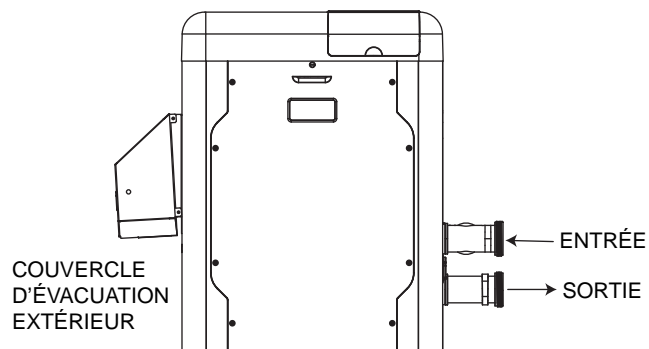
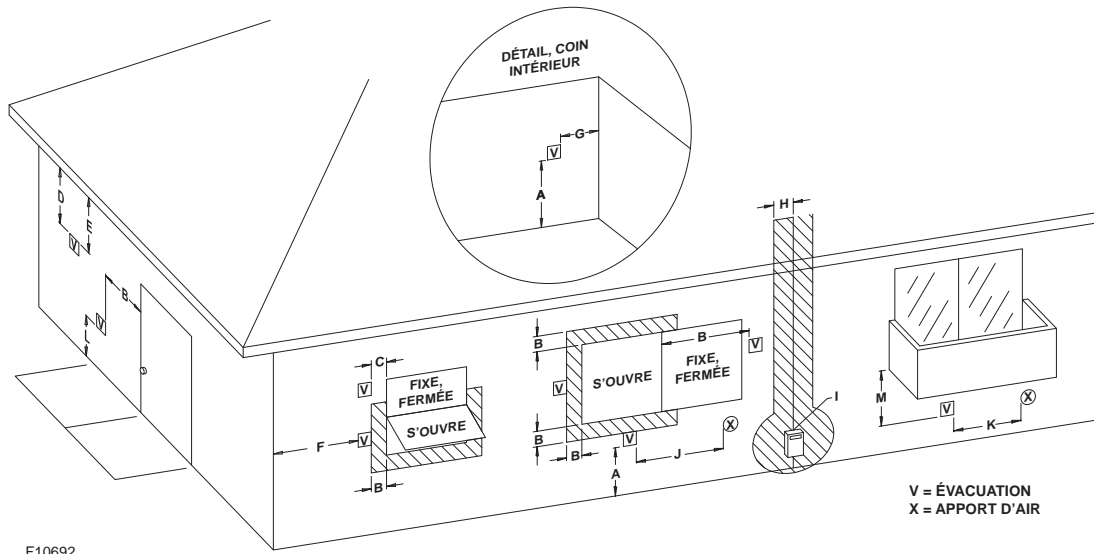


Figure 2. Devant de l'appareil Dégagements des terminaisons d'apport d'air et d'évacuation



F10692

Figure 3. Dégagements minimum aux matières combustibles, terminaisons d'apport d'air et d'évacuation – Installation intérieure ou extérieure

		Installation aux États-Unis ¹	Installation au Canada ²
A	Dégagement au-dessus du sol, d'une véranda, d'un porche, d'une terrasse ou d'un balcon.	1' (30 cm)	1' (30 cm)
B	Dégagement autour des fenêtres ou des portes qui peuvent être ouvertes.	4' (1,2 m) au-dessous ou à côté d'une ouverture	3' (0,91 m)
C	Dégagement d'une fenêtre qui ne s'ouvre pas	*	*
D	Dégagement vertical sous un soffite ventilé, si le centre de la terminaison est situé à une distance horizontale moindre que 2' (610 mm).	5' (1,5 m)	*
E	Dégagement de tout soffite non ventilé	*	*
F	Dégagement de tout coin extérieur	*	*
G	Dégagement de tout coin intérieur	6' (1,83 m)	*
H	Dégagement de chaque côté d'une ligne passant par le centre d'un compteur ou du régulateur d'abonné.	*	3' (914 mm) de dégagement horizontal d'un compteur ou d'un régulateur, jusqu'à une hauteur de 15' (4,57 m).
I	Dégagement de la soupape de décharge du régulateur d'abonné.	*	6' (1,83 m)
J	Dégagement d'une prise d'air non-mécanique d'un bâtiment ou d'une prise d'air comburant de tout autre appareil.	4' (1,2 m) au-dessous ou à côté de l'ouverture; 1" (305 mm) au-dessus de l'ouverture	3' (0,91 m)
K	Dégagement de toute prise d'air mécanique	3' (0,91 m) au-dessus, si à moins de 10' (3 m) horizontalement	6' (1,83 m)
L	Ne pas se terminer au-dessus d'un trottoir imperméable ou d'une entrée asphaltée	Risque de chute dû au gel de la condensation	Risque de chute dû au gel de la condensation
M	Dégagement sous une véranda, un porche, une terrasse ou un balcon	*	1' (30 cm) ^t

¹ Conformément à l'édition en vigueur de ANSI Z223,1/NFPA 54, National Fuel Gas Code.

² Conformément à l'édition en vigueur de CSA B149.1, Code d'installation du gaz naturel et du propane.

^t Uniquement permis si la véranda, le porche, la terrasse ou le balcon est entièrement ouvert sur au moins deux côtés, sous le niveau du plancher et au-dessus de la terminaison, et si la hauteur libre sous la véranda, le porche, la terrasse ou le balcon est supérieure à 1 pi (305 mm).

* Les dégagements doivent respecter les exigences des codes d'installation locaux et celles du fournisseur du service du gaz.

Tableau C. Dégagements des terminaisons d'apport d'air et d'évacuation

Description	Partie	Distance po (mm)
a. Murs de maçonnerie de 89 mm (3-1/2 po) d'épaisseur avec ventilation	Arrière	9 (229)
	Droite	9 (229)
	Gauche	9 (229)
	Conduit évac.	5 (127)
	Dessus (int.)	39 (991)
b. Panneau isolant de 1/2" (13 mm) sur 1" (25 mm) d'isolant en fibres de verre ou laine minérale	Arrière	6 (152)
	Droite	6 (152)
	Gauche	6 (152)
	Conduit évac.	3 (76)
	Dessus (int.)	30 (762)
c. Feuille métallique 0,024 sur 1" (25 mm) d'isolant en fibres de verre ou laine minérale avec ventilation	Arrière	4 (102)
	Droite	4 (102)
	Gauche	4 (102)
	Conduit évac.	3 (76)
	Dessus (int.)	24 (610)
d. Murs de maçonnerie de 89 mm (3-1/2 po) d'épaisseur avec ventilation	Arrière	6 (152)
	Droite	6 (152)
	Gauche	6 (152)
	Conduit évac.	6 (152)
	Dessus (int.)	39 (991)
e. Feuille métallique 0,024 avec ventilation	Arrière	4 (102)
	Droite	4 (102)
	Gauche	4 (102)
	Conduit évac.	2 (51)
	Dessus (int.)	24 (610)
f. Panneau isolant de 13 mm (1/2 po) d'épaisseur avec ventilation	Arrière	4 (102)
	Droite	4 (102)
	Gauche	4 (102)
	Conduit évac.	3 (76)
	Dessus (int.)	24 (610)
g. Feuille métallique 0,024 avec ventilation sur feuille métallique 0,024.	Arrière	4 (102)
	Droite	4 (102)
	Gauche	4 (102)
	Conduit évac.	3 (76)
	Dessus (int.)	24 (610)
h. 25 mm (1 po) de fibres de verre ou de laine minérale entre deux feuilles de tôle 0,024 avec ventilation	Arrière	4 (102)
	Droite	4 (102)
	Gauche	4 (102)
	Conduit évac.	3 (76)
	Dessus (int.)	24 (610)
	Dessus (ext.)	Dégagé

Tiré du National Fuel Gas Code, Table 10.2.3

Tableau D. Réduction des dégagements par rapport aux surfaces protégées

L'appareil ne doit pas être installé sous un surplomb de toit situé à moins de 3 pi (0,9 m) du haut de l'appareil. Sous un surplomb de toit, l'appareil doit être exposé sur trois de ses côtés. L'appareil doit être protégé contre toute eau pouvant s'écouler du toit, grâce à des gouttières.

Installation aux États-Unis: le point d'où les produits de combustion sont évacués de l'appareil doit se trouver à au moins 4 pi (1,2 m) au-dessous, 4 pi (1,2 m) horizontalement ou de 1 pi (0,3 m) au-dessus d'une porte, d'une fenêtre ou d'une ouverture d'air gravitaire d'un bâtiment. La surface supérieure de l'appareil doit se trouver à au moins 3 pi (0,9 m) au-dessus de toute entrée d'air forcée ou de conduits d'admission situés à moins de 10 pi (3 m) horizontalement.

Installation au Canada: l'appareil ne doit pas être installé de façon à ce que la partie supérieure du conduit d'évacuation se trouve à moins de 10 pi (3 m) au-dessous, ou de chaque côté, d'une ouverture d'un bâtiment. Reportez-vous à la plus récente édition de la norme CAN/CSA-B149.

Un minimum de 6 pi (1,8 m) est requis entre l'appareil et l'angle entrant d'un mur.

Installation en Floride et au Texas: doit être conforme aux exigences des codes du bâtiment de la Floride ou du Texas. Suivez les instructions de la **Figure 5** pour l'installation de supports anti-ouragan.

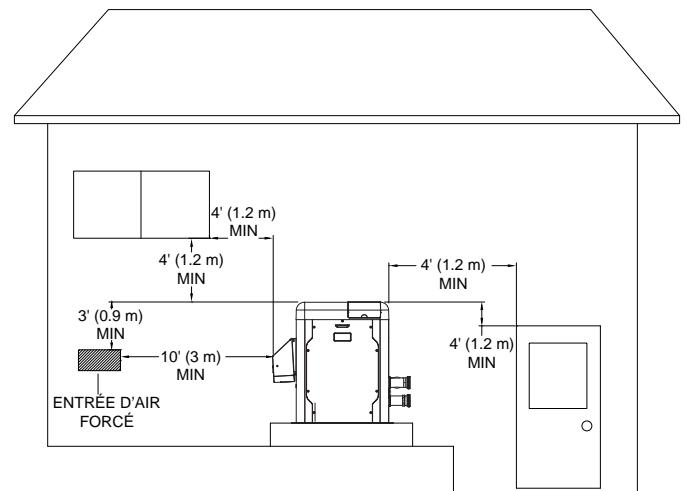


Figure 4. Dégagements

Installation intérieure

Au Canada: une installation intérieure peut uniquement être effectuée une enceinte qui n'est pas occupée et qui ne communique pas directement avec une zone occupée. Reportez-vous à la plus récente édition de la norme CSA-B149 pour plus de détails. Positionnez l'appareil aussi près que possible d'une cheminée ou d'un conduit d'évacuation. L'appareil doit toujours être ventilé à l'extérieur du bâtiment. Lire la section **Ventilation à la p.13** pour plus de détails. Les dégagements sont indiqués sur la plaque signalétique.

Air comburant et de ventilation

Installation intérieure seulement

L'appareil doit être alimenté en air comburant et de ventilation. Les volumes minimaux sont décrits dans la plus récente édition du National Fuel Gas Code U.S. ANSI Z223.1 (CSA-B149 au Canada), ainsi que dans tout code local applicable. L'approche la plus courante est la méthode à "2 ouvertures"; l'ouverture d'air comburant se trouvant à au plus 12" (305 mm) du sol et l'ouverture de ventilation à moins de 12" (305 mm) du plafond. Pour connaître la taille des ouvertures pour cette méthode, voir ci-dessous.

Air tiré de l'intérieur du bâtiment:

Chaque ouverture doit avoir une surface nette minimale, comme indiqué:

Modèle	po ² (m ²)
264	264 (0,17)
404	399 (0,26)

Tableau E. Surface nette minimale des ouvertures - Air intérieur

Air tiré de l'extérieur du bâtiment:

Lorsque l'air est tiré directement de l'extérieur du bâtiment, chaque ouverture doit avoir une surface nette minimale comme indiqué:

Modèle	Ouverture libre po ² (m ²)	Ouverture grillagée ou à lattes po ² (m ²)	Ouverture grillagée et à lattes po ² (m ²)
264	66 (0,04)	99 (0,06)	132 (0,09)
404	100 (0,06)	150 (0,1)	200 (0,13)

Tableau F. Surface nette minimale des ouvertures - Air extérieur

⚠ ATTENTION: l'air comburant ne doit pas être contaminé par des vapeurs corrosives pouvant causer à l'appareil des dommages non couverts par la garantie. De tels dommages ne sont pas couverts par la garantie.

Ventilation directe (DV) et conduit d'apport d'air comburant

Si l'air comburant extérieur est directement acheminé à l'appareil par un conduit:

1. Retirez le couvercle grillagé et raccordez le conduit d'air comburant à l'appareil au raccord d'admission d'air. Étanchéifiez le conduit d'air comburant à l'adaptateur en PVC existant. Fixez-le en place à l'aide de colle ou de vis. Le couvercle grillagé qui a été retiré doit être réutilisé à l'extrémité du conduit d'apport d'air. Installez le conduit d'air comburant conformément à la **Figure 11** ou **Figure 12** du présent manuel.
2. La pièce dans laquelle est installé l'appareil doit être bien ventilée par une ou plusieurs ouvertures de ventilation se trouvant au point le plus élevé communiquant avec l'extérieur.
 - A. Aux États-Unis, ces ouvertures doivent avoir une section libre d'au moins 1 po² par 20 000 BTU/h (111 mm² par kW) pour la puissance nominale totale de tous les équipements de la pièce, lorsque l'ouverture communique directement avec l'extérieur ou par l'entremise de conduits verticaux. Ces ouvertures doivent avoir une section libre d'au moins 1 po² par 10 000 BTU/h (222 mm² par kW) pour la puissance nominale totale de tous les équipements de la pièce, lorsque l'ouverture communique directement avec l'extérieur par l'entremise de conduits horizontaux.
 - B. Au Canada, il doit y avoir une ou plusieurs ouvertures permanentes d'alimentation en air ayant une section libre d'au moins 1 po² par 30 000 BTU/h (70 mm² par kW) pour la puissance nominale totale de tous les équipements de la pièce. Ces ouvertures doivent être positionnées de façon à ne pas être obstruées.
3. Dans les climats froids, pour atténuer le risque de gel, Raypak recommande fortement l'installation d'un registre automatique pour empêcher la circulation d'air froid à travers l'appareil, lorsqu'il est à l'arrêt.

Code du bâtiment de la Floride et du Texas:
Vitesse du vent = 180 mi/h, rafale de 3 secondes
Exposition = C

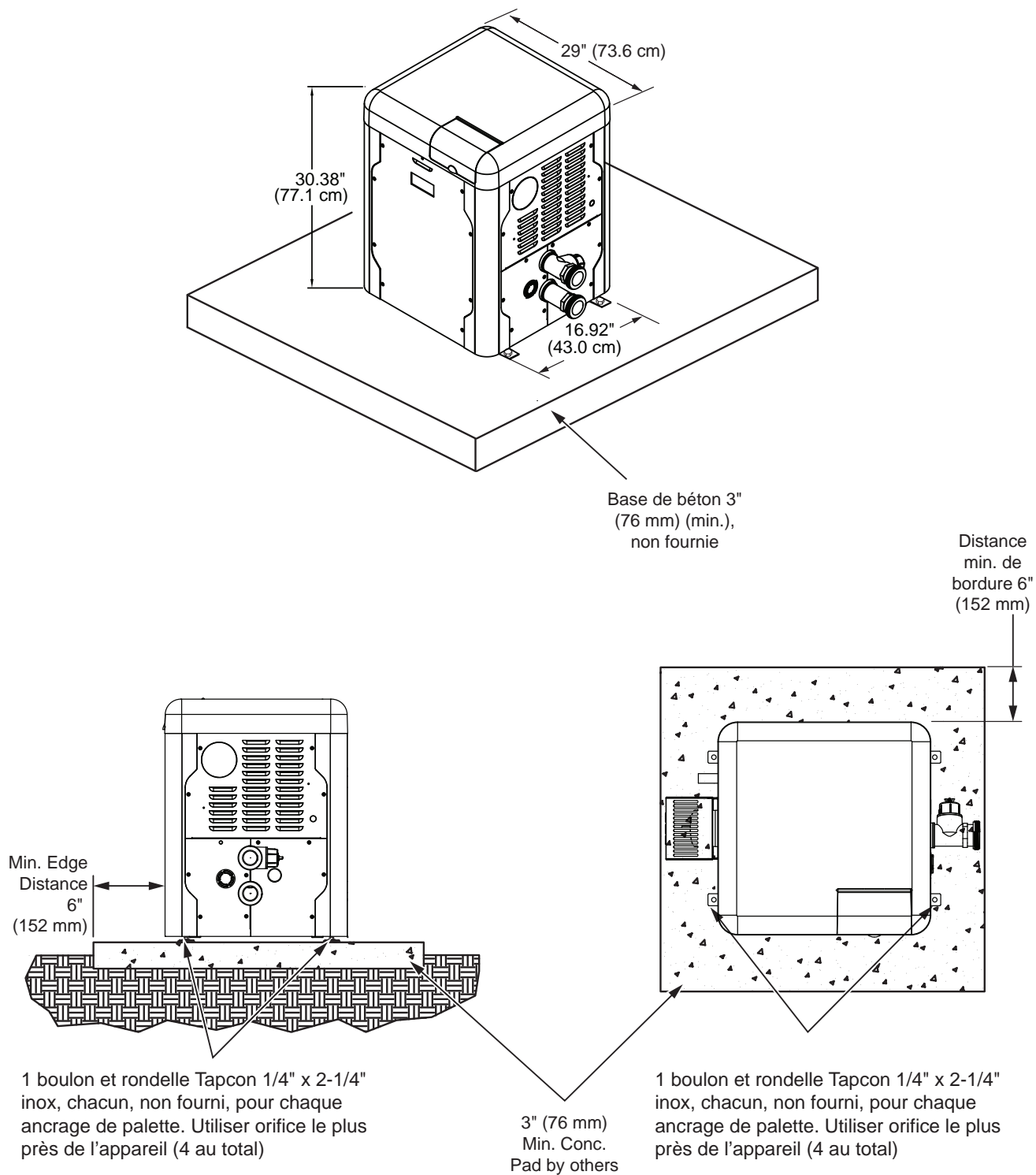


Figure 5. Installation de supports anti-ouragan

Dimensions et poids

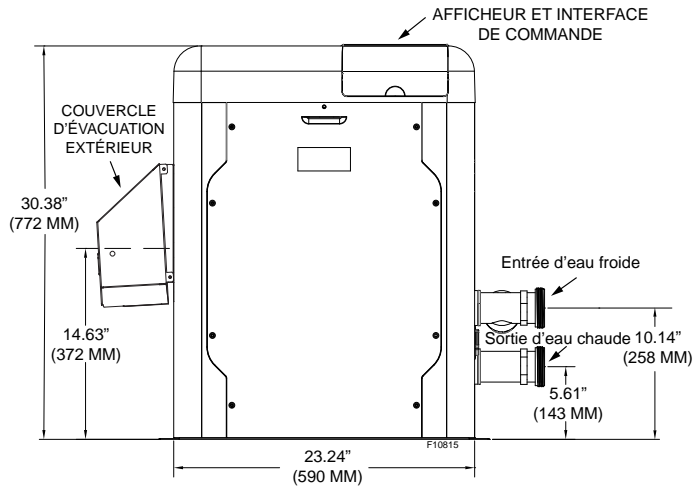


Figure 6. Vue avant

Ampérage	
120 VCA, 1 ph, 60 Hz	240 VCA, 1 ph, 60 Hz
1,6 A	1,2 A

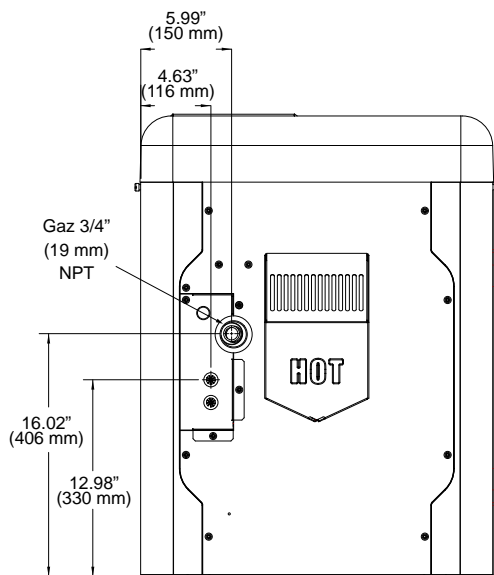


Figure 7. Vue de gauche avec distances de connexion du gaz et de l'électricité

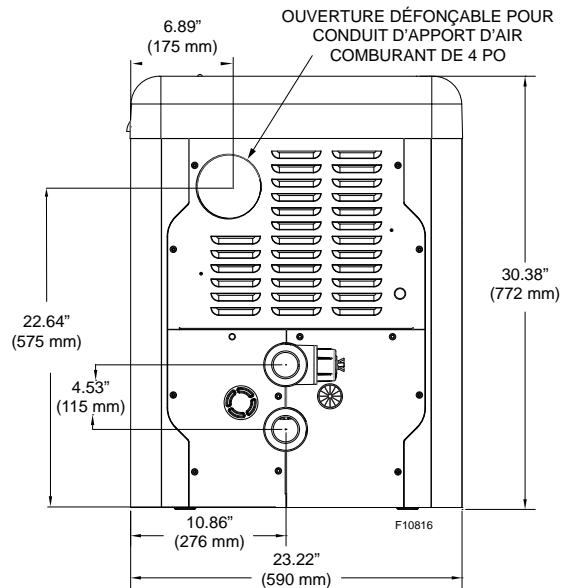


Figure 8. Vue de droite

AVERTISSEMENT : le Commonwealth of Massachusetts exige que les appareils de chauffage ventilés à travers le mur installés dans une habitation, un bâtiment ou une structure utilisés en tout ou en partie à des fins résidentielles, soient installés selon les dispositions spéciales décrites à la page 92 du présent manuel.

Modèle	Puis. BTU/h (kW)	Dia. évac. po (mm)	Raccord d'eau po (mm)	Poids à l'expédition - lb (kg)
				Modèle standard
264	264 (77,4)	4 (101,6)	2 (51) Contrefort	135 (61,2) +20 (9) emballage
404	399 (116,9)			

Tableau G. Dimensions et poids de l'appareil

Ventilation

ATTENTION: l'installation appropriée du conduit d'évacuation est essentielle au fonctionnement sûr et efficace de l'appareil.

Généralités

Catégories d'appareils

Les appareils de chauffage sont divisés en quatre catégories, en fonction de la pressurisation des gaz de combustion et de la production de condensation.

Catégorie I – Appareil qui fonctionne avec une pression statique au conduit d'évacuation non positive et avec une perte par les gaz de combustion d'au moins 17%.

Catégorie II – Appareil qui fonctionne avec une pression statique au conduit d'évacuation non positive et avec une perte par les gaz de combustion de moins de 17 %.

Catégorie III – Appareil qui fonctionne avec une pression statique au conduit d'évacuation positive et avec une perte par les gaz de combustion d'au moins 17%.

Catégorie IV – Appareil qui fonctionne avec une pression statique au conduit d'évacuation positive et avec une perte par les gaz de combustion de moins de 17%,

Voir **Tableau H** pour les exigences relatives à chaque catégorie d'appareils.

NOTE: pour plus d'informations sur la catégorisation des appareils, consultez la norme ANSI Z21,13 appropriée et le code NFGC (É.-U.) ou le B149.1 (Canada), ou les codes locaux applicables.

AVERTISSEMENT: communiquez avec le fabricant des tuyaux de ventilation pour toute question relative à la catégorisation de l'appareil et à la conformité d'un matériau de ventilation avec un appareil de Catégorie I. La réalisation d'un système de ventilation avec des matériaux inappropriés peut causer des dommages matériels, de graves blessures ou la mort.

Description (Terminations)	Fabricant	N° modèle du fabricant
Évacuation murale	Duravent	FSTB4
Té horizontal	Duravent	FSTT4
Té horizontal	Z-Flex	2SVSTTF04
Solin mural avec registre	Duravent	PRTFSWTT4
Coude 90°	Z-Flex	2SVSTEX0490
D15 - Chapeau horizontal vertical	Raypak	014289

Tableau I. Terminaisons d'évacuation

Alimentation d'air comburant	Configuration d'évacuation	Catégorie d'appareil	Matériaux évac. certifiés	Matériaux apport d'air
Tiré de l'intérieur du bâtiment	Verticale	I ventilateur	B-Vent équivalent	
	Ventilation murale	III	UL 1738 Conduit métallique (comme AL29-4C)	
De l'extérieur du bâtiment (ventilation directe (DV) ou conduits d'apport d'air comburant)	Ventilation verticale avec conduits d'apport d'air comburant	I ventilateur	B-Vent équivalent	Acier galvanisé, PVC, ABS, CPVC
	Ventilation Ventilation directe (DV)	III	UL 1738 Conduit métallique (comme AL29-4C)	
	Ventilation horizontale Ventilation directe (DV)	III	UL 1738 Conduit métallique (comme AL29-4C)	

Tableau H. Exigences de ventilation

Note: utiliser Duravent FSAAU4 comme adaptateur de ventilation ou Z-Flex 2SVSNA04.5.

Support du système de ventilation

Le poids des conduits de ventilation ou de la cheminée ne doit pas reposer sur le raccord d'évacuation de l'appareil. Le système de ventilation doit être supporté conformément aux exigences des codes applicables. Les conduits doivent aussi respecter les distances de dégagements applicables aux matériaux combustibles. Utilisez des entretoises isolées pour conduit d'évacuation lorsque celui-ci passe à travers un toit ou un mur combustible.

Emplacement des terminaisons

1. La condensation peut geler sur la terminaison d'évacuation et former un bouchon pouvant empêcher le bon fonctionnement du système.
2. Inspectez attentivement les environs de la terminaison d'évacuation pour éliminer tout risque de dommages matériels ou de blessures.
3. La terminaison d'évacuation peut émettre un panache de vapeur en hiver. Cette vapeur peut former du frimas sur une fenêtre si la terminaison est installée trop près.
4. Par temps froid et dans des conditions favorables de vent, la vapeur émise par la terminaison d'évacuation peut se déposer et geler sur les bâtiments, les végétaux et même sur les toits.
5. La base de la terminaison doit se trouver à au moins 305 mm (12 po) au-dessus du sol ou de la limite anticipée de neige.
6. Dans les climats froids, il n'est pas permis d'utiliser des conduits d'évacuation en acier à paroi simple à l'extérieur.
7. La terminaison murale d'un appareil de Catégorie II ou IV et d'appareils à condensation non catégorisés ne doit pas se trouver au-dessus de tout passage public ou au-dessus de tout lieu où la formation de condensation ou de vapeur pourrait constituer une nuisance, poser un risque ou affecter le fonctionnement d'un régulateur de gaz, d'une vanne de surpression ou d'autres équipements. Lorsque la formation de condensation risque de causer un problème, dans le cas d'appareils de Catégorie I et III, cette disposition s'applique également.
8. Positionnez et protégez la terminaison d'évacuation de façon à prévenir tout contact accidentel, par une personne ou un animal.
9. NE PAS positionner une terminaison d'évacuation dans un puits de fenêtre, une cage d'escalier, une alcôve, une cour intérieure ou tout autre lieu enclavé.
10. NE PAS positionner une terminaison d'évacuation au-dessus d'une porte, d'une fenêtre, ou d'une prise d'air gravitaire, car il pourrait se former des glaçons à l'extrémité du conduit.
11. Positionnez la terminaison de façon à ce que la condensation s'en échappant ne risque pas d'endommager l'enveloppe extérieure du bâtiment. Pour protéger un mur de briques ou de maçonnerie, installez un solin métallique résistant à la corrosion.

12. La longueur extérieure de la terminaison d'évacuation ne doit pas être supérieure à la longueur minimale à l'écart du mur. La condensation pourrait geler et bloquer le conduit d'évacuation.

Installation aux États-Unis

Reportez-vous à la plus récente édition du National Fuel Gas Code.

Exigences d'installation de la terminaison d'évacuation:

1. La terminaison doit se trouver à au moins 4 pi (1,2 m) en dessous ou 4 pi (1,2 m) horizontalement ou 12 po (305 mm) de toute fenêtre ou prise d'air gravitaire du bâtiment.
2. La terminaison doit se trouver à au moins 7 pi (2,1 m) au-dessus du sol lorsqu'elle se trouve au-dessus d'un passage public.
3. Positionnez la terminaison à au moins 3 pi (915 mm) au-dessus d'une prise d'air forcée, à une distance horizontale d'au moins 10 pi (3 m).
4. La terminaison doit se trouver à une distance horizontale d'au moins 4 pi (1,2 m) de tout compteur électrique ou de gaz, d'un régulateur de gaz ou d'une soupape de décharge, et jamais au-dessus ou en dessous de ceux-ci, sauf si une distance horizontale d'au moins 4 pi (1,2 m) est maintenue avec eux.
5. Positionnez la terminaison à au moins 6 pi (1,8 m) de tout mur adjacent.
6. NE positionnez PAS la terminaison à moins de 5 pi (1,5 m) sous un surplomb du toit.
7. La terminaison d'évacuation doit se trouver à au moins 12 po (305 mm) d'un mur.
8. La terminaison doit se trouver à au moins 1 pi (305 mm) au-dessus du sol et de la limite de neige anticipée.
9. Dans le cas d'une installation multi-appareils à ventilation directe (DV), prévoyez un dégagement horizontal d'au moins 4 pi (1,2 m) entre les terminaisons d'évacuation.

Installation au Canada

Reportez-vous à l'édition en vigueur du code d'installation B149.1.

La terminaison d'un conduit d'évacuation ne doit pas se trouver:

1. Directement au-dessus d'un trottoir ou d'une entrée pavée située entre deux logements unifamiliaux et qui les dessert tous les deux.
2. À moins de 7 pi (2,1 m) au-dessus d'un trottoir pavé ou d'une entrée pavée pour véhicules situés sur une propriété publique.
3. À moins de 6 pi (1,8 m) d'une prise d'air mécanique d'un bâtiment.
4. Au-dessus d'un régulateur, à moins de 3 pi (915 mm) horizontalement de l'axe vertical du régulateur de gaz.
5. À moins de 3 pi (1,8 m) de la sortie d'évent d'un régulateur d'abonné.
6. À moins de 12 po (305 mm) au-dessus du niveau du sol.

7. À moins de 3 pi (915 mm) de toute fenêtre ou porte d'un bâtiment pouvant être ouverte, ainsi que de toute prise d'air non-mécanique d'un bâtiment ou d'une prise d'air comburant de tout autre appareil.
8. Sous le plancher d'une véranda, d'un porche, d'une terrasse ou d'un balcon dont au moins deux côtés sont ouverts; - et - dont la distance entre la partie supérieure de la terminaison et la surface intérieure du plancher de la véranda, du porche, de la terrasse ou du balcon est d'au moins 0,3 m (1 pi).

Conseils de ventilation

Supports de conduits:

- sections horizontales, au moins tous les 5 pi (1,5 m)
- sections verticales — utiliser des ancrages muraux
- sous ou à proximité des coudes

Configurations de ventilation

Le système de ventilation d'un appareil doit être conforme aux exigences du NFGC (É.-U.) ou de la norme B149.1 (Canada) ou des codes locaux.

Ventilation verticale (Catégorie I) assistée par ventilateur

Installation

L'évacuation à tirage naturel utilise la tendance naturelle des gaz de combustion chauffés à monter, jusqu'à ce qu'ils soient expulsés par la cheminée. Le tirage naturel doit être d'au moins -0,01 à -0,08 po c.e., lorsque mesuré à une distance de 12 po (305 mm) au-dessus du raccord d'évacuation de l'appareil, pour assurer un bon fonctionnement. Les tubes composant le conduit d'évacuation doivent être homologués par un organisme d'essai reconnu au niveau national.

Le conduit d'évacuation doit être de type B à double paroi pour générer un meilleur tirage d'air et minimiser la formation de condensation dans celui-ci.

Cet appareil ne nécessite aucun coupe-tirage. L'installation d'un registre barométrique automatique à un seul sens de rotation est requise si la hauteur d'évacuation dépasse 25 pieds (7,6 m).

La distance entre le raccord d'évacuation de l'appareil et la cheminée doit être aussi courte que possible. Toute section horizontale d'un conduit d'évacuation doit maintenir une pente ascendante d'au moins 1/4" par pied linéaire, entre l'appareil et la terminaison. Le poids de toute section horizontale

d'un conduit d'évacuation doit aussi être convenablement et entièrement supporté afin d'éviter l'ouverture des joints, ce qui pourrait compromettre le respect des distances de dégagement ou causer des dommages.

Terminaison d'évacuation

Une terminaison verticale doit se terminer à l'extérieur du bâtiment, à au moins 2 pi (0,6 m) au-dessus du point le plus élevé du toit, dans un rayon de 8 pi (2,4 m). La terminaison doit se trouver à une distance horizontale d'au moins 4 pi (1,2 m) de tout compteur électrique ou de gaz, d'un régulateur de gaz ou d'une soupape de décharge, et jamais au-dessus ou en dessous de ceux-ci, sauf si une distance horizontale d'au moins 4 pi (1,2 m) est maintenue avec eux. La distance entre la terminaison d'évacuation et un passage public, les bâtiments adjacents, les fenêtres ouvertes et les ouvertures de bâtiments doit être conforme aux exigences de la norme NFGC (É.-U.) ou B149 (Canada). Un conduit d'évacuation uniquement supporté par un solin doit surplomber le toit d'au moins 5 pi (1,5 m) et doit être solidement haubané ou contreventé afin de résister aux charges de vent et de neige.

Pour connaître les chapeaux de terminaison approuvés par le fabricant, reportez-vous à la liste de pièces illustrée du présent manuel, voir page 84.

ATTENTION: le conduit d'évacuation doit comporter un chapeau homologué, correctement dimensionné et convenable pour l'évacuation des gaz de combustion.

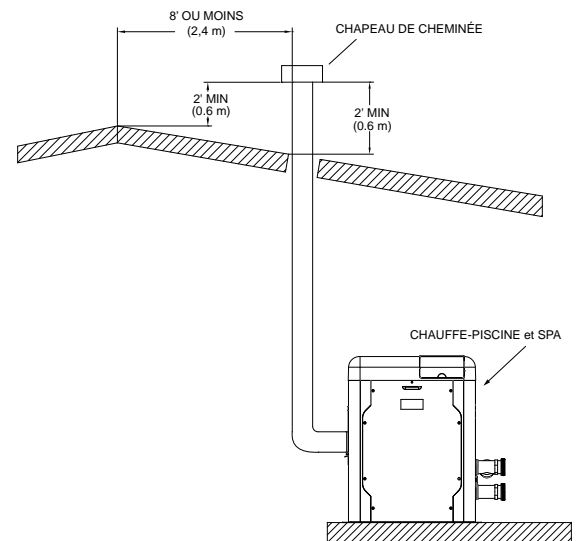


Figure 9. Verticale

N° de modèle	Matériau d'évac. certifié	Dia. évac. po (mm)	Hauteur de l'évacuation pi (m)*	
			Min.	Max.
264/404	Catégorie I (Type B équivalent) Assisté par ventilateur	4 (101,6)	5 (1,5)	25 (7,6)

Ces hauteurs d'évacuation admissibles considèrent une section horizontale de 2 pi (0,6 m). Reportez-vous à l'édition en vigueur du NFGC pour plus de détails. Si la hauteur d'évacuation est supérieure à 25 pi (7,6 m), consulter le fabricant avant l'installation.

*Soustraire 12 pi (3,6 m) par coudé.

Tableau J. Ventilation verticale pour appareils de Catégorie I

Ventilation murale pour appareils de Catégorie III

Installation

Cet appareil est équipé d'un ventilateur intégré qui évacue les gaz de combustion à l'extérieur du bâtiment. L'air comburant peut être tiré de l'intérieur de la pièce et le conduit d'évacuation est acheminé à l'extérieur à travers le mur. La salle mécanique doit fournir un apport d'air comburant et de ventilation adéquat, conformément aux NFGC (É.-U.) ou au code B149.1 (Canada).

La longueur équivalente des conduits de ventilation murale ne doit pas être supérieure à 75 pieds-équivalents (22,9 m). Si la longueur équivalente est supérieure à 75 pieds-équivalents (22,9 m), il faut ajouter un ventilateur d'extraction correctement dimensionné. Un coude possède une longueur équivalente de 12 pi (3,6 m).

Il n'est pas requis de considérer la terminaison d'évacuation pour établir la longueur équivalente du système de ventilation.

La conduite d'évacuation ne doit pas laisser s'échapper de gaz de combustion dans le bâtiment. Lors de l'assemblage, veillez à ce que tous les joints soient solides et étanches. Le conduit d'évacuation doit maintenir une pente ascendante empêchant une éventuelle accumulation de condensation. Il est fortement recommandé d'isoler le conduit d'évacuation s'il est exposé à des températures froides (moins de 40°F ou 4°C). En particulier:

Le conduit d'évacuation doit comporter un drain d'évacuation de la condensation installé à proximité de l'appareil, tel qu'exigé par le fabricant des tuyaux d'évacuation.

Le conduit d'évacuation doit maintenir une pente ascendante minimale de 1/4 po par pied, vers la terminaison d'évacuation.

Terminaison d'évacuation

La terminaison d'évacuation DOIT se trouver à l'extérieur du bâtiment. La terminaison d'évacuation ne peut être installée dans un puits ou au-dessous du niveau du sol. Elle doit se trouver à au moins 1 pi (305 mm) au-dessus du sol et de la limite de neige anticipée. L'extrémité de la terminaison d'évacuation doit se trouver à AU MOINS 12 po (305 mm) de la surface du mur.

Pour connaître les chapeaux de terminaison approuvés par le fabricant, reportez-vous à la liste de pièces illustrée du présent manuel, voir page 84.

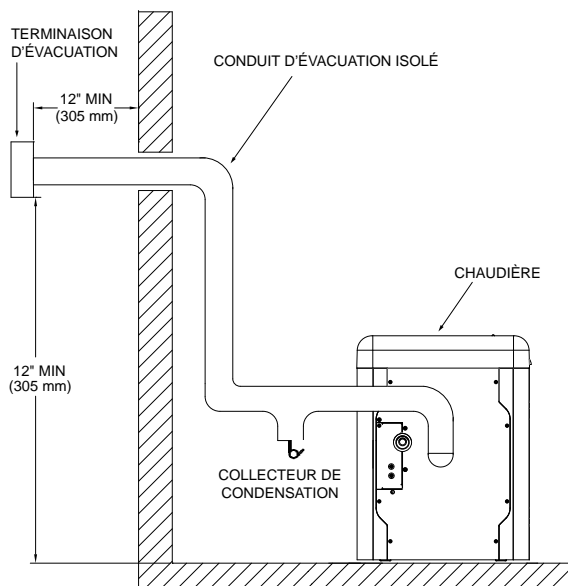


Figure 10. Horizontale murale

ATTENTION: le conduit d'évacuation de ce système de ventilation nécessite un drain de condensation, installé conformément aux instructions du fabricant de tuyaux d'évacuation. Le défaut d'installer un drain de condensation dans un système de ventilation causera des dommages non couverts par la garantie.

⚠ AVERTISSEMENT: aucune substitution de matériau n'est permise pour le conduit ou le couvercle d'évacuation. Toute substitution mettrait en péril la sécurité et la santé des habitants.

Ventilation directe (DV) murale et horizontale

Installation

Cet appareil est équipé d'un ventilateur intégré qui extrait l'air comburant de l'extérieur du bâtiment et évacue les gaz de combustion vers l'extérieur, voir **Tableau K**.

NOTE: il n'est pas permis d'utiliser des tubes de type B-Vent sur un tel système.

Les conduits d'apport d'air et d'évacuation doivent maintenir une pente ascendante empêchant une éventuelle accumulation de condensation. Il est fortement recommandé d'isoler les deux conduits. Il est requis d'isoler les conduits s'ils sont exposés à des températures froides (moins de 40°F ou 4°C).

N° de modèle	Matériau d'évac. certifié	Long. évac. pi (m)	Long. max. d'évacuation pi (m)*	Matériau du conduit d'apport d'air comburant**	Long. max. apport d'air* pi (m) 4 po Ø
264/404	Catégorie III	4 (1,2)	75 (22,86)	Acier galvanisé, PVC ABS CPVC	75 (22,86)

*Soustraire 12 pi (3,6 m) par coude.

** PVC ou CPVC Schedule 40.

Tableau K. Appareil de catégorie III, évacuation à l'horizontale et ventilation directe à l'horizontale

Il n'est pas requis de considérer la terminaison d'évacuation pour établir la longueur équivalente du système de ventilation.

Lors de l'assemblage, veillez à ce que tous les joints soient solides et étanches.

Le conduit d'évacuation doit maintenir une pente ascendante empêchant une éventuelle accumulation de condensation. Il est fortement recommandé d'isoler le conduit d'évacuation. Il est requis d'isoler le conduit d'évacuation s'il est exposé à des températures froides (moins de 40°F ou 4°C).

Pour les installations dans des climats extrêmement froids, les mesures suivantes sont requises:

1. Le conduit d'évacuation doit maintenir une pente ascendante minimale de 1/4 po par pied, vers la terminaison d'évacuation. Un collecteur de condensation approuvé doit être installé conformément aux codes applicables.
2. La section horizontale du conduit d'apport d'air doit être isolée sur toute sa longueur.

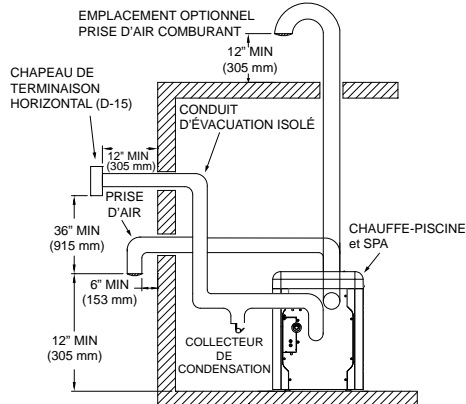


Figure 11. Ventilation directe (DV) murale et horizontale

Terminaison d'évacuation

La terminaison d'évacuation DOIT se trouver à l'extérieur du bâtiment et ne peut pas être installée dans un puits ou au-dessous du niveau du sol. Elle doit se trouver à au moins 12 po (305 mm) au-dessus du sol et de la limite de neige anticipée.

La terminaison d'évacuation NE DOIT PAS être installée en dessous ou à moins de 3 pi (0,9 m) de la prise d'air, afin d'éviter la recirculation des gaz de combustion dans l'appareil.

Ce type d'installation peut causer une défaillance non couverte par la garantie et un mauvais fonctionnement de l'appareil en raison de la recirculation des produits de combustion. Si plusieurs terminaisons d'évacuation doivent être installées côte à côte, prévoyez un dégagement horizontal d'au moins 4 pi (1,2 m) entre celles-ci, voir **Figure 11**.

L'air comburant tiré de l'extérieur du bâtiment doit être exempt de particules et de contaminants chimiques. Pour éviter l'arrêt du système en raison d'un blocage, la terminaison d'évacuation ne doit pas être surexposée à la neige, la glace, les feuilles, débris, etc.

Utilisez uniquement un système d'évacuation spécial

certifié et désigné pour être utilisé avec un appareil de Catégorie III, ex.: système en acier inoxydable AL29-4C offert par DuraVent (www.duravent.com). Suivez les instructions d'installation de son fabricant.

AVERTISSEMENT: aucune substitution de matériau n'est permise pour le conduit ou le couvercle d'évacuation. Toute substitution mettrait en péril la sécurité et la santé des habitants.

ATTENTION: le condensat est acide et très corrosif.

Ventilation directe (DV) verticale

Installation

Cet appareil est équipé d'un ventilateur intégré qui extrait l'air comburant de l'extérieur du bâtiment et évacue les gaz de combustion vers l'extérieur, sous pression positive. Les conduits de ventilation doivent être fabriqués d'un matériau approuvé dans les présentes instructions (conduits homologués par un organisme d'essai reconnu au niveau national).

Le conduit entre le raccord d'évacuation de l'appareil et la cheminée doit être aussi court que possible et du même diamètre que ce raccord d'évacuation.

Il est fortement recommandé d'isoler le conduit d'apport d'air dans un climat froid.

NOTE: il n'est pas permis d'utiliser des tubes de type B-Vent sur un tel système.

Terminaison d'évacuation

Une terminaison verticale doit se terminer à l'extérieur du bâtiment, à au moins 2 pi (0,6 m) au-dessus du point le plus élevé du toit, dans un rayon de 10 pi (3,0 m). La terminaison d'évacuation doit se trouver à une distance horizontale d'au moins 4 pi (1,2 m), sur toute la hauteur du bâtiment, de tout compteur électrique ou de gaz, d'un régulateur de gaz ou d'une soupape de décharge. La distance entre la terminaison d'évacuation et un passage public, les bâtiments adjacents, les fenêtres ouvertes et les ouvertures de bâtiments doit être conforme aux exigences de la norme NFGC (É.-U.) ou B149 (Canada).

Un conduit d'évacuation uniquement supporté par un solin doit surplomber le toit d'au moins 5 pi (1,5 m) et doit être solidement haubané ou contreventé afin de résister aux charges de vent et de neige.

La terminaison d'apport d'air DOIT être installée à 1 pi (305 mm) au-dessus du toit ou au-dessus de la limite anticipée de neige, afin d'éviter un éventuel blocage. Le respect de cette directive est essentiel pour éviter un blocage par la neige et assurer le bon fonctionnement de l'appareil. Il doit y avoir un dégagement vertical d'au moins 3 pi (0,9 m) entre la terminaison d'évacuation et la prise d'air comburant.

Utilisez uniquement un système d'évacuation spécial certifié et désigné pour être utilisé avec un appareil de Catégorie III, ex.: système en acier inoxydable AL29-4C offert par DuraVent (www.duravent.com). Les joints des conduits doivent être étanchéifiés sous pression positive. Suivez les instructions d'installation de son fabricant.

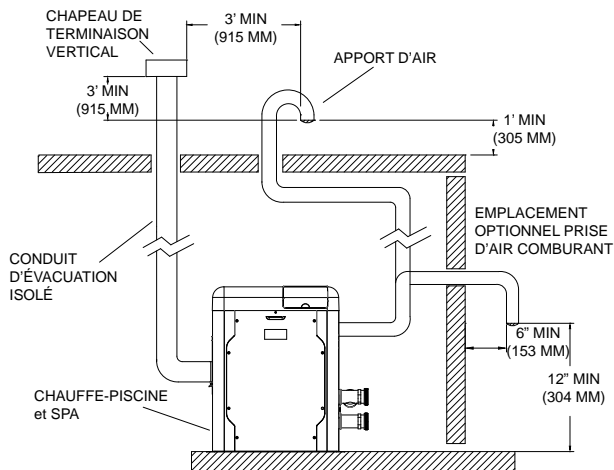


Figure 12. Ventilation directe (DV) verticale

AVERTISSEMENT: aucune substitution de matériau n'est permise pour le conduit ou le couvercle d'évacuation. Toute substitution mettrait en péril la sécurité et la santé des habitants.

Installation extérieure

Dans une installation extérieure, il faut utiliser le couvercle d'évacuation extérieur fourni.

Portez une attention particulière à l'emplacement de l'appareil lors d'une installation extérieure, car les gaz de combustion peuvent se condenser sur des surfaces adjacentes. Une installation à un emplacement inapproprié pourrait endommager des structures adjacentes ou la finition du bâtiment. Prenez les précautions suivantes pour maximiser l'efficacité et minimiser les risques:

1. Inspectez périodiquement le système de ventilation. Les ouvertures de ventilation de l'appareil ne doivent jamais être obstruées et les dégagements minimaux doivent être respectés, pour éviter de restreindre l'apport d'air comburant ou de ventilation. Le lieu d'installation ne doit pas contenir de matériaux combustibles et inflammables.
2. Ne positionnez pas l'appareil à proximité d'une fenêtre, d'une porte, d'un passage public ou d'une prise d'air gravitaire. Le couvercle d'évacuation doit se trouver à une distance horizontale d'au moins 1,2 m (4 pi) de telles ouvertures.
3. La bouche d'évacuation doit se trouver au-dessus du niveau du sol et de la limite de neige anticipée.
4. La terminaison doit se trouver à au moins 3 pi (915 mm) au-dessus d'une prise d'air forcée et à une distance horizontale d'au moins 10 pi (3 m).
5. Les surfaces murales adjacentes en brique ou en maçonnerie doivent être protégées avec un solin métallique résistant à la corrosion.

NOTE: la condensation peut geler sur le couvercle d'évacuation et former un bouchon pouvant empêcher le bon fonctionnement du système.

Raccordement du gaz

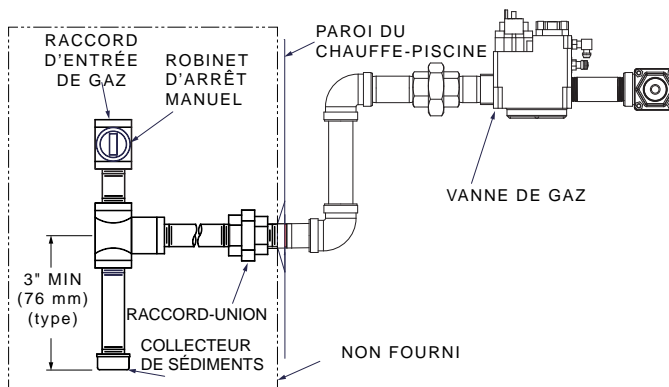


Figure 13. Alimentation en gaz

La tuyauterie d'alimentation en gaz doit comporter un collecteur de sédiments et un robinet d'arrêt manuel en aval de la commande du gaz. L'étanchéité de la tuyauterie de gaz doit être testée après l'installation, conformément aux codes locaux.

ATTENTION: l'appareil et son robinet d'arrêt manuel doivent être débranchés du réseau d'alimentation en gaz lors de tout essai d'étanchéité effectué à une pression supérieure à 1/2 psi (3,5 kPa). Assurez-vous de libérer la pression de l'essai d'étanchéité de la conduite d'alimentation en gaz avant de raccorder le robinet d'arrêt manuel et l'appareil au réseau d'alimentation. **LE NON-RESPECT DE CETTE DIRECTIVE RISQUE D'ENDOMMAGER LA VANNE DE GAZ. LES DOMMAGES CAUSÉS À LA VANNE DE GAZ EN RAISON D'UNE SURPRESSURISATION NE SONT PAS COUVERTS PAR LA GARANTIE.** L'appareil et les raccords de tuyauterie l'alimentant doivent subir un essai d'étanchéité avant la mise en service. Utilisez de l'eau savonneuse pour effectuer l'essai d'étanchéité. **NE PAS utiliser une flamme nue.**

Pression d'alimentation

ATTENTION: ne pas appliquer de ruban Téflon sur les raccords de gaz. Utilisez uniquement un ruban ou un composé approuvé pour étanchéifier les raccords de gaz naturel et de propane. Appliquez avec parcimonie uniquement sur les filets mâles, en laissant les deux premiers fils nus.

La pression d'alimentation statique et dynamique en gaz naturel doit s'élever à au moins 6 po c.e. et ne pas dépasser 10,5 po c.e. Pression requise pour le propane: min. = 8,0 po c.e. (dynamique); max. = 13,0 po c.e. (statique).

Régulateur de pression du gaz

La pression de distribution du gaz est pré-réglée à l'usine à -0,30 po c.e. Si un réglage est requis, retirez le couvercle de la vanne de gaz et tournez la vis de réglage dans le sens horaire ↻ pour augmenter la pression ou dans le sens antihoraire ↻ pour réduire la pression. Si la vanne comporte un tel réglage, la concentration d'O₂ doit être réglée entre 4,5 et 5,5%; à l'aide d'un analyseur de combustion étalonné.

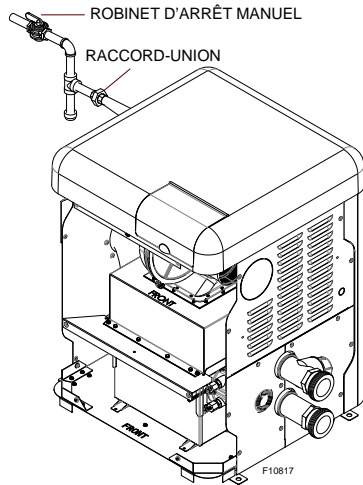


Figure 14. Installation du robinet d'arrêt manuel

Dispositifs de réglage de la pression du gaz

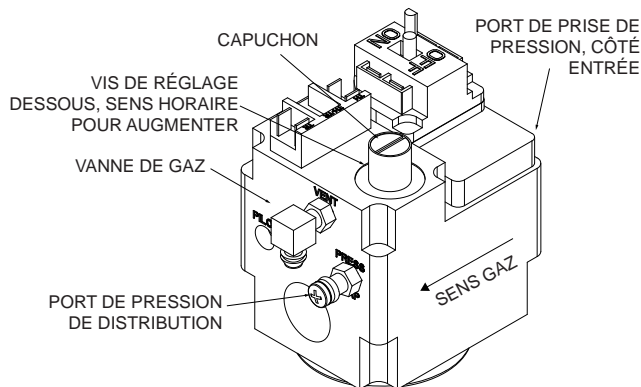


Figure 15. Réglage de la vanne du gaz

Dimensionnement de la tuyauterie de gaz

Les capacités indiquées ci-dessous considèrent des tubes en fonte Schedule 40. Pour la capacité de tubes fabriqués en d'autres matériaux, consultez vos codes locaux.

Longueur équivalente maximale pi (m)								
Gaz naturel - 1 000 BTU/pi ³ , densité de 0,60 à perte de charge de 0,5 po c.e.								
Propane - 1 000 BTU/pi ³ , densité de 0,60 à perte de charge de 0,5 po c.e.								
N° modèle	Dia. 3/4"		Dia. 1"		Dia. 1-1/4"		Dia. 1-1/2"	
	NAT	PRO	NAT	PRO	NAT	PRO	NAT	PRO
264	15 (4,6)	35 (10,7)	50 (12,2)	125 (38,1)	210 (64,0)	480 (146,3)	445 (135,6)	
404	*	15 (4,6)	20 (8,8)	55 (16,8)	95 (29,0)	225 (68,6)	215 (65,5)	280 (85,3)

* La longueur maximale d'une conduite de gaz de 3/4 po est de 5 pi (1,5 m), plus un collecteur de sédiments.

Tableau L. Dimensions des conduites de gaz

Pratiques exemplaires pour les régulateurs de gaz

À partir du régulateur de pression de gaz, il est recommandé de avoir pas moins de 10 diamètres de tuyaux lisses et droits tuyau en aval de la décharge du régulateur et d'avoir pas moins de 10 pieds linéaires (sans compter les raccords) entre le régulateur et l'entrée de l'appareil pour un bon fonctionnement.

Tableau des débits

Modèle	Dia. conduit po (mm)	Min. GPM (lpm)	Max. GPM (lpm)
264/404	2 (50,8)	40 (151)	100 (379)

* Lorsque les débits dépassent la valeur maximale, une vanne de dérivation auxiliaire externe est requise. Voir section Vanne de dérivation externe à la page 21 pour les détails.

Tableau M. Débits Min./Max.

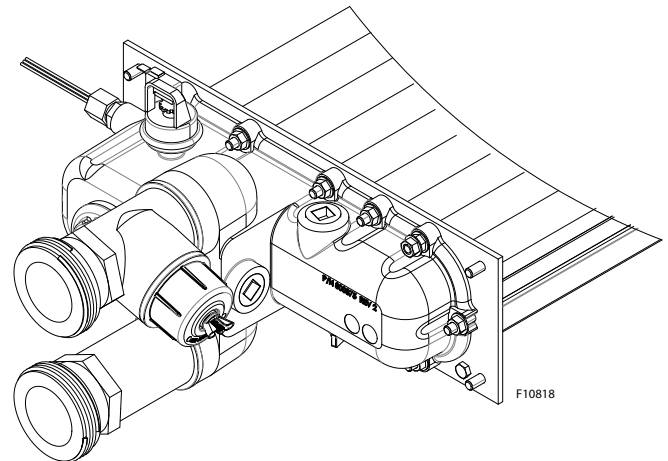


Figure 16. Alimentation d'eau

Débit GPM (lpm)	Perte de charge pi (m)	
	264	404
40 (151)	7,2 (2,2)	13,4 (4,1)
50 (189)	10,0 (3,1)	16,5 (5,0)
60 (227)	12,6 (3,8)	19,5 (5,9)
70 (265)	17,0 (5,2)	23,7 (7,2)
80 (303)	24,0 (7,3)	28,3 (8,6)
90 (341)	30,3 (9,2)	33,2 (10,1)
100 (379)	36,0 (10,9)	37,0 (11,3)

Tableau N. Perte de charge dans l'échangeur de chaleur

NOTE: ces capacités sont basées sur l'utilisation de tubes 2 po Schedule 40.

Le distributeur est muni de raccords en CPVC haute température et d'écrous de raccords correspondants. S'il y a une possibilité de siphonnage lorsque la pompe s'arrête, il est fortement recommandé d'installer un clapet anti-retour dans le système. Il est également recommandé un robinet sphérique ou à vanne en aval du système pour réguler le débit et la pression dans l'appareil.

Avant de fixer les raccords-unions de 2 po au distributeur d'entrée/sortie, assurez-vous que les joints toriques sont correctement insérés dans les rainures correspondantes. Appliquez de l'Aqualube ou un lubrifiant équivalent sans produit pétrolier sur le joint torique. **Serrez tous les joints à la main.** Collez la tuyauterie PVC directement aux raccords-unions.

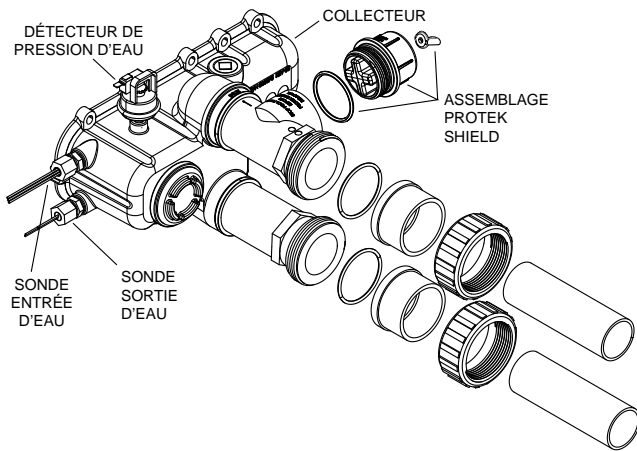


Figure 17. Distributeur d'entrée/sortie

Assemblage ProTek Shield

Cet appareil est équipé d'un assemblage ProTek Shield, installé à l'horizontale sur le côté droit du raccord d'entrée d'eau.

Ce dispositif sert à protéger l'échangeur de chaleur contre la corrosion galvanique, lorsqu'il est électriquement en contact avec lui. Le ProTek Shield doit être remplacé lorsque son poids atteint environ 40% de son poids initial (1,46 lb).

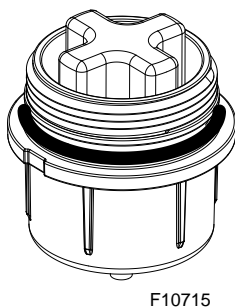


Figure 18. Assemblage ProTek Shield

ATTENTION: ARRÊTEZ la pompe avant de tenter de retirer le ProTek Shield. Le maintien en charge de la pompe risque d'endommager le ProTek Shield, une perte d'eau du système ou des blessures corporelles.

ATTENTION: n'utilisez pas d'outils pour enlever (dévisser) le ProTek Shield ou son écrou à oreilles. Les dommages causés par l'utilisation d'outils ne sont pas couverts par la garantie.

Directives de remplacement du ProTek Shield:

1. Arrêtez la pompe et dissipez la pression du système.
2. Fermez les vannes d'isolement pour éviter les pertes d'eau de piscine/spa.
3. Retirer l'écrou à oreilles du goujon inférieur du ProTek Shield.
4. Retirez l'anneau-terminal de continuité électrique du goujon.
5. Faites pivoter le ProTek Shield dans le sens antihoraire (à la main) pour le dévisser de l'assemblage.
6. Inspecter et remplacer si nécessaire et inverser la procédure ci-dessus pour réinstaller. **Serrez uniquement à la main!** N'utilisez pas d'outils.

NOTE: assurez-vous que le joint torique est correctement inséré dans sa rainure avant l'installation.

Régulateur Unitherm

ATTENTION: le régulateur Unitherm breveté est une vanne thermostatique spécialement conçue pour maintenir la température interne de l'appareil entre 120°F (49°C) et 135°F (57°C), à tous les débits de filtration et à toutes les températures d'eau. Le maintien d'une telle température interne permet de réduire le volume de condensation émis par le tube à ailettes lorsque l'appareil est alimenté en eau de piscine à une température inférieure à 100°F (38°C). Le maintien de ce niveau de température inhibe aussi la formation de tartre dans les tubulures internes.

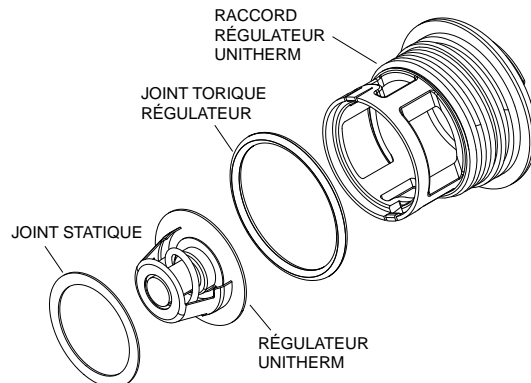


Figure 19. Régulateur Unitherm

Vanne de dérivation automatique interne

En plus du régulateur Unitherm, une vanne de dérivation automatique interne se trouve dans le distributeur d'entrée/sortie. Alors que le régulateur Unitherm réagit aux changements de température de l'eau, la vanne de dérivation interne réagit automatiquement aux changements de pression dans la tuyauterie d'eau. Le débit d'eau approprié est maintenu à travers l'appareil sous des conditions de pression variable, selon l'état du filtre et de la pompe.

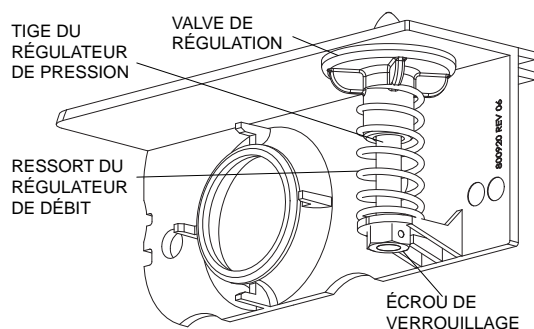
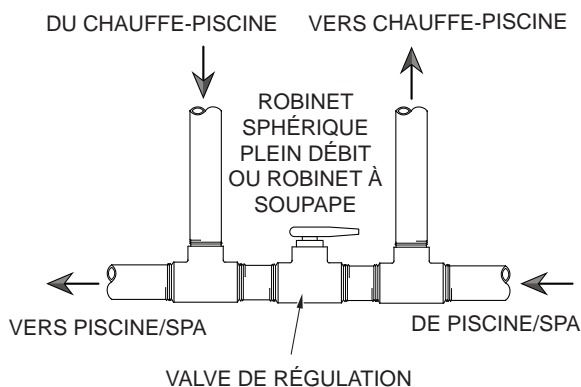


Figure 20. Vanne de dérivation automatique interne

Vanne de dérivation auxiliaire externe

Quand utiliser - Une vanne de dérivation auxiliaire doit être utilisée lorsque le débit dépasse 100 GPM (379 LPM). L'utilisation d'une pompe haute performance de plus de deux h.p. produit un débit supérieur à cette valeur. Cette vanne est un complément à la vanne de dérivation automatique, en particulier lors du démarrage de l'appareil en hiver ou au début du printemps lorsque la température du spa ou de la piscine est inférieure à 50°F (10°C). Elle permet également de réduire la perte de charge à travers l'appareil et à réduire le débit des jets thermaux.



*NOTE: ne pas utiliser de robinet-vanne.

Figure 21. Vanne de dérivation auxiliaire

Réglage de la vanne de dérivation auxiliaire

Réglage - Alors que le filtre est propre, touchez les conduites d'entrée et de sortie de l'appareil. Les raccords de sortie doivent être légèrement plus chauds que ceux d'entrée et confortables au toucher. S'ils sont trop chauds, refermez la vanne; s'ils sont trop froids, ouvrez la vanne.

Installation de la soupape de surpression

Le distributeur d'entrée/sortie comporte aussi un raccord 3/4" NPT pour l'installation d'une soupape de surpression. Cette soupape doit être installée à la verticale. La soupape de surpression peut fuir et ne pas fonctionner correctement si elle est installée dans une orientation différente. Ne serrez pas trop. Serrez légèrement la soupape de surpression à la main, plus un demi-tour. Utilisez le kit 018936F et **Figure 23** ci-dessous pour correctement aligner la soupape.

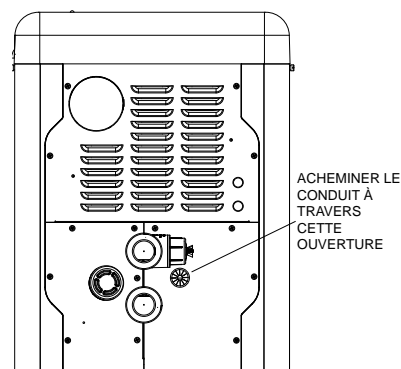


Figure 22. Emplacement de la soupape

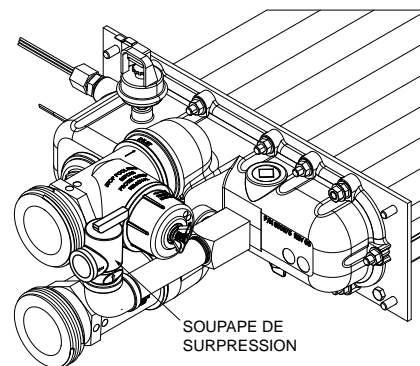


Figure 23. Soupape de surpression installée

NOTE: afin d'éliminer tout risque de dégât d'eau ou d'ébouillantage lors du déclenchement de la soupape de surpression, celle-ci doit être raccordée à un tuyau d'écoulement acheminant l'eau chaude à un endroit de décharge sécuritaire. Le tuyau d'écoulement doit être de la même taille, sur toute sa longueur, que le raccord de la soupape de surpression et doit maintenir une pente descendante. N'installez aucune robinetterie entre l'appareil et la soupape de surpression ou dans le tuyau d'écoulement. Soulevez le levier de la soupape au moins une fois par an pour assurer qu'elle demeure fonctionnelle.

L'appareil doit être traversé par un débit d'eau suffisant et soumis à une pression positive suffisante pour s'allumer et correctement fonctionner. Il doit donc être installé en aval du raccord de refoulement de la pompe du filtre, voir **Figure 24** et **Figure 25**.

Schéma de plomberie typique:

1. Le raccord d'entrée du filtre est directement relié au raccord de refoulement de la pompe;
2. Le raccord de sortie du filtre est ensuite relié au raccord d'entrée de l'appareil;
3. Le raccord de sortie de l'appareil est relié à la ligne de retour de la piscine ou du spa. La pompe, le filtre et l'appareil sont ainsi reliés en série (installez un générateur de sel ou un distributeur automatique en aval de l'appareil).

⚠ ATTENTION: le raccordement d'une source supplémentaire d'eau chauffée (ex.: système de chauffage solaire), doit s'effectuer en amont du raccord d'entrée de l'appareil de chauffage. Si cette source de chaleur est suffisante pour atteindre le point de consigne du système, l'appareil de chauffage ne se mettra pas en marche. Dans un tel cas, le panneau de commande de l'appareil affichera la température de l'eau chauffée par la source supplémentaire.

L'appareil doit être positionné de façon à ce que toute fuite d'eau ne cause pas de dégât d'eau. Les conduites de CPVC ou de PVC peuvent être directement collées aux raccords-unions fournis.

Schéma de plomberie

Raccords d'eau

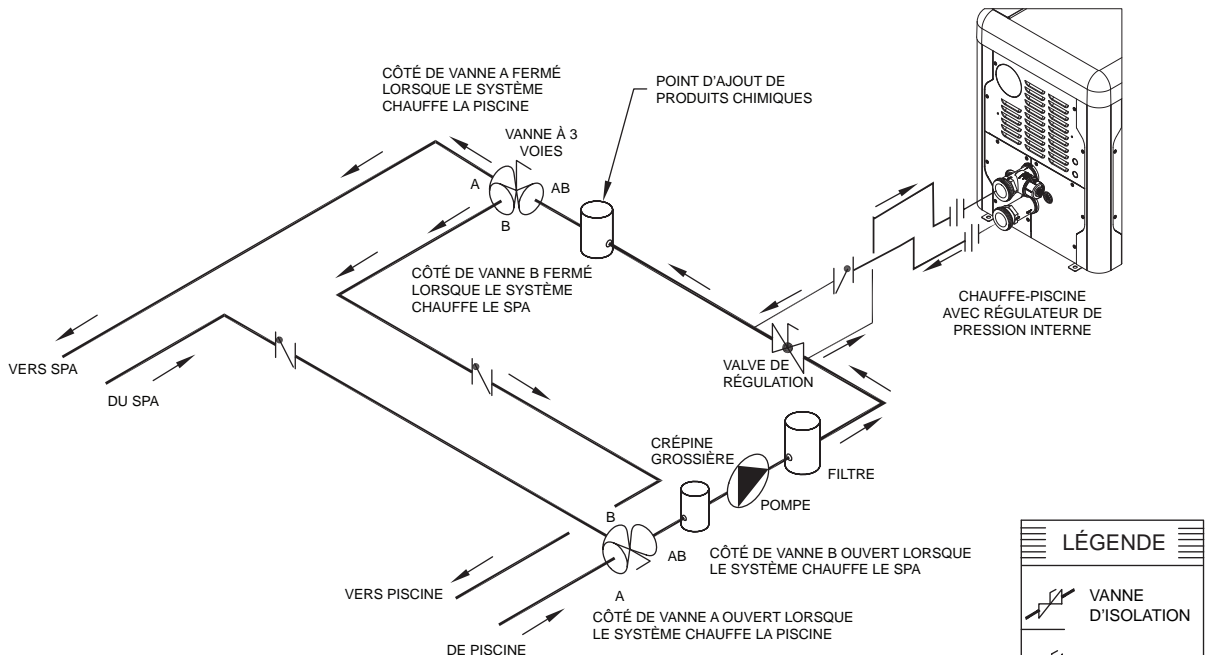


SCHÉMA DE TUYAUTERIE RECOMMANDÉ; IL N'EST PAS DESTINÉ À REMPLACER UN SYSTÈME CONÇU PAR UN INGÉNIEUR CERTIFIÉ.

Figure 24. Installation, un seul appareil de chauffage

LÉGENDE	
	VANNE D'ISOLATION
	ROBINET SPHÉRIQUE
	SOUPAPE DE SURPRESSION
	POMPE
	RACCORD-UNION
	CLAPET DE NON-RETOUR

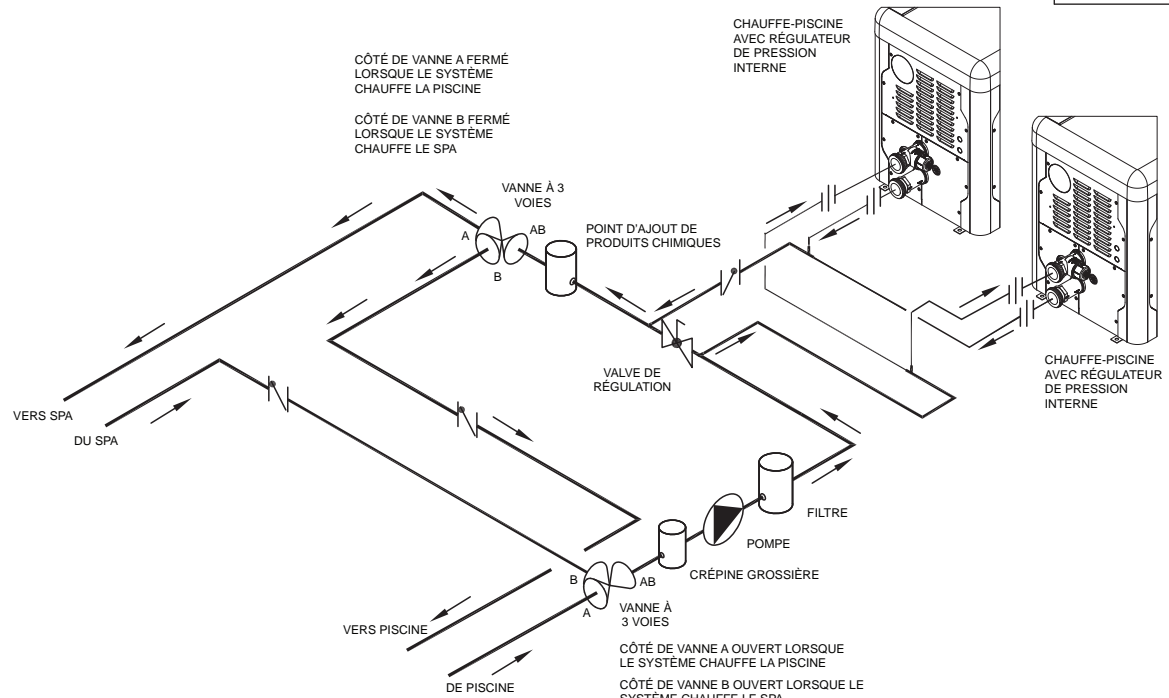


SCHÉMA DE TUYAUTERIE RECOMMANDÉ; IL N'EST PAS DESTINÉ À REMPLACER UN SYSTÈME CONÇU PAR UN INGÉNIEUR CERTIFIÉ.

Figure 25. Installation, multi-appareils de chauffage

Inversion des raccords d'eau/de ventilation

Cet appareil est conçu de façon à que son panneau de commande ainsi que son couvercle puissent être pivotés par incréments de 90°, selon les besoins d'installation.

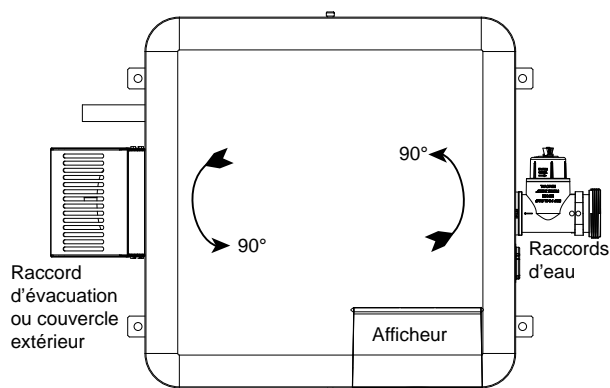


Figure 26. Inversion des raccords

Pour faire pivoter le couvercle, retirez les (2) vis moletées qui l'unissent à la paroi de l'appareil, comme indiqué ci-dessous. Faites pivoter le couvercle à la position désirée et réinstallez les vis moletées pour le fixer à la paroi de l'appareil, voir **Figure 34**, page 27.

NOTE: pour éviter d'endommager le faisceau de câbles, maintenez les harnais à l'écart lors de la manipulation du couvercle supérieur.

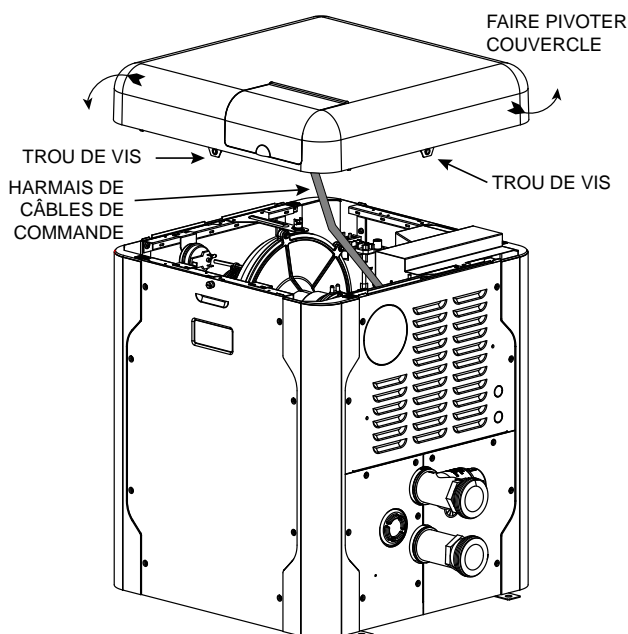


Figure 27. Rotation du couvercle

5. ALIMENTATION ÉLECTRIQUE

NOTE: en cas de remplacement d'un câble d'origine, utilisez uniquement un conducteur à température nominale de 150°C ou l'équivalent.

⚠ AVERTISSEMENT: l'appareil est câblé en usine pour une alimentation à 240 VCA, 1Ph, 60 Hz. NE PAS alimenter l'appareil à 208 VCA ou moins.

NOTE: les trous non utilisés sur la chemise de l'appareil ou la boîte de jonction électrique peuvent être utilisés pour installer un thermostat externe, un module de commande auxiliaire ou pour accrocher le câblage de la pompe Protégé VS.

Capacité électrique requise

⚠ ATTENTION: une cosse de continuité des masses se trouve sous la boîte de jonction. Une mauvaise continuité des masses pourrait affecter les composantes électroniques. Le câble de continuité des masses doit être installé conformément aux exigences du National Electrical Code (NEC) aux États-Unis ou du Code canadien de l'électricité (CCE) au Canada.

NOTE: voir "Minuterie" à la page 38 pour plus de détails sur le câblage d'une minuterie.

Le dispositif d'allumage électronique allume automatiquement le brûleur lors d'un appel de chaleur. L'appareil est équipé d'un transformateur à double tension d'entrée de 120 et 240 VCA (configuré à 240 VCA par défaut). Avec une alimentation à 120 VCA, raccordez le transformateur selon la **Figure 29** et positionnez le cavalier du ventilateur comme indiqué à la **Figure 30**.

Lorsqu'alimenté à 120 VCA, l'appareil tire une intensité 1,6 A. Lorsqu'alimenté à 240 VCA, l'appareil tire une intensité 1,2 A.

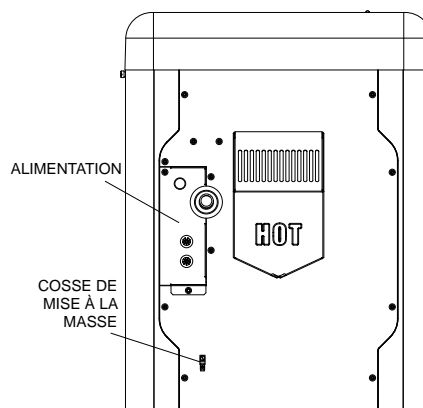


Figure 28. Emplacement du câblage

Câblage du transformateur

ATTENTION: si le primaire du transformateur est câblé pour le 120 VCA et qu'une tension de 240 VCA lui est appliquée, le transformateur et la carte électronique risquent d'être endommagés. Ces dommages ne sont pas couverts par la garantie limitée du fabricant.

Câblage 120 VCA

Lorsque l'appareil est alimenté à 120 VCA, connectez le fil noir (L1) (non fourni) aux deux fils noirs de l'appareil. Connectez le fil blanc et le fil rouge/blanc au neutre de l'alimentation. **Il n'y a aucun raccordement à effectuer au fil rouge avec une alimentation 120 VCA.** Insérez une marquette sur le fil rouge.

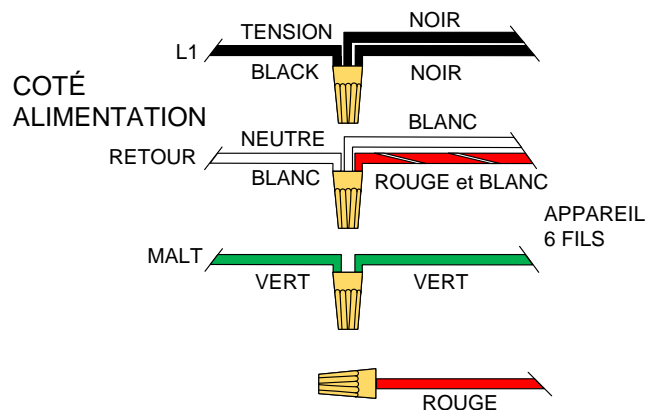


Figure 29. Raccordements à 120 VCA

ATTENTION: le ventilateur de l'appareil est précâblé à 240 V. Si l'appareil est alimenté à 120 V, alimentez le ventilateur avec le connecteur rouge à 120 V (fourni). L'alimentation du ventilateur avec le mauvais connecteur causera des dommages électriques.

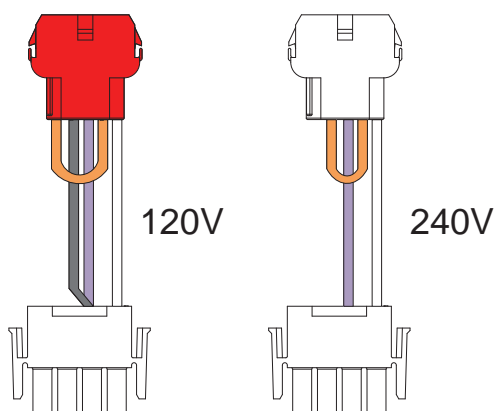


Figure 30. Cavaliers du ventilateur

Câblage 240 VCA

Lorsque l'appareil est alimenté à 240 VCA, connectez le fil noir (L1) (non fourni) de l'alimentation aux deux fils noirs de l'appareil. Connectez le second fil sous tension (L2) de l'alimentation au fil blanc et au fil rouge/blanc de l'appareil. **Il n'y a aucun raccordement à effectuer au fil blanc avec une alimentation 240 VCA.** Insérez une marquette sur le fil blanc.

AVERTISSEMENT: NE PAS alimenter l'appareil à 208 VCA.

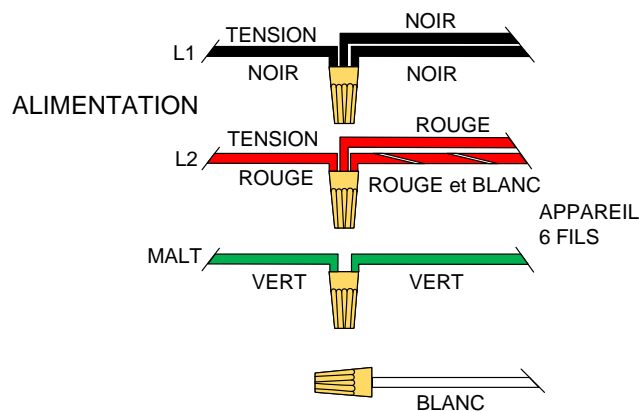
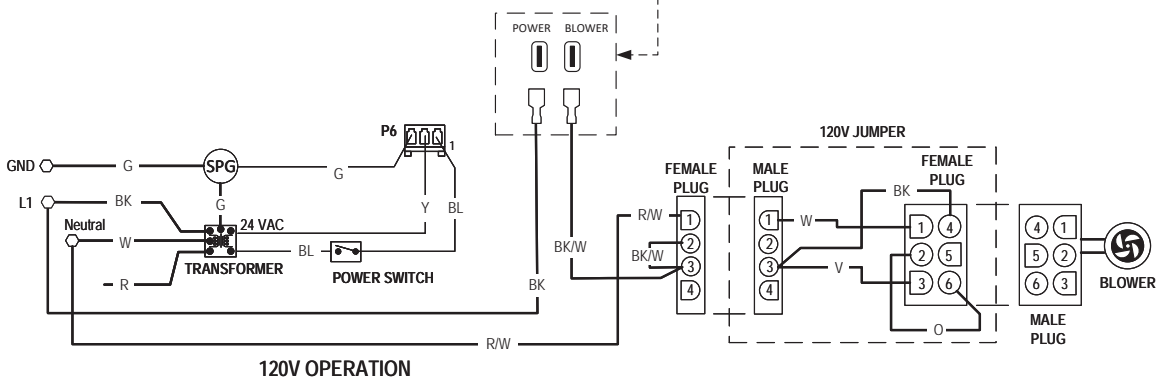
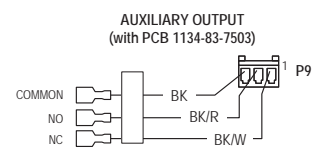
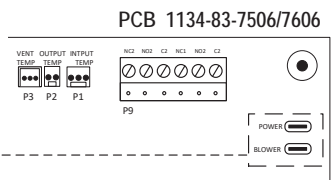
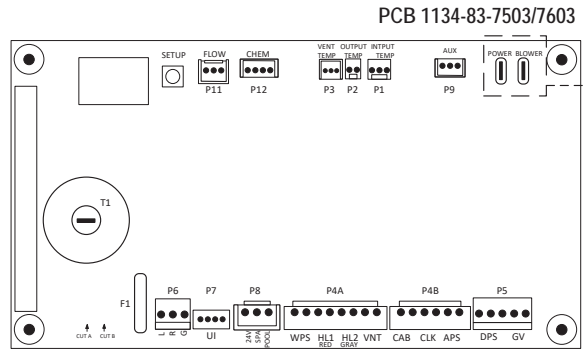
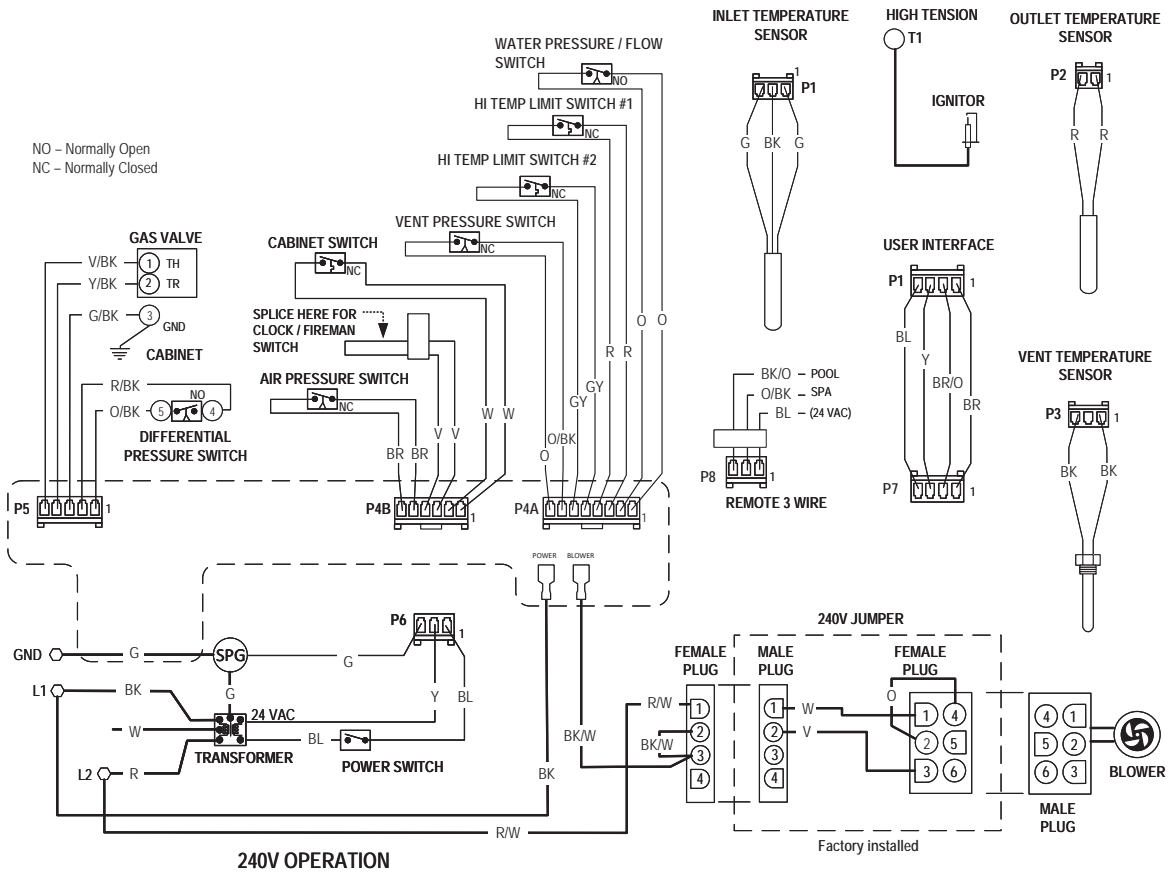


Figure 31. Raccordements à 240 VCA

Avant d'être mis en service, l'appareil doit être mis à la terre et à la masse en conformité avec les codes locaux ou, en l'absence de codes locaux, en conformité avec le « National Electrical Code, ANSI/NFPA 70 » aux États-Unis, ou le « Code canadien de l'électricité CSA C22.1 », parties 1 et 2, au Canada.

NOTE: l'alimentation de l'appareil (120 ou 240 VCA) peut provenir du côté charge (côté pompe, en aval de la minuterie) ou directement à partir d'une source à DDFT. Il est préférable que l'appareil soit alimenté en continu par une source à DDFT et que la mise en marche de l'appareil soit commandée par la minuterie ou un thermostat externe à deux ou trois fils. Si l'appareil est alimenté par une source à DDFT commutée, le module de commande pourrait afficher des codes d'erreurs incorrects lors de l'arrêt de la pompe.

6. SCHÉMA DE CÂBLAGE ALIMENTATION 240 V ET 120 V



7. DISPOSITIFS DE COMMANDE

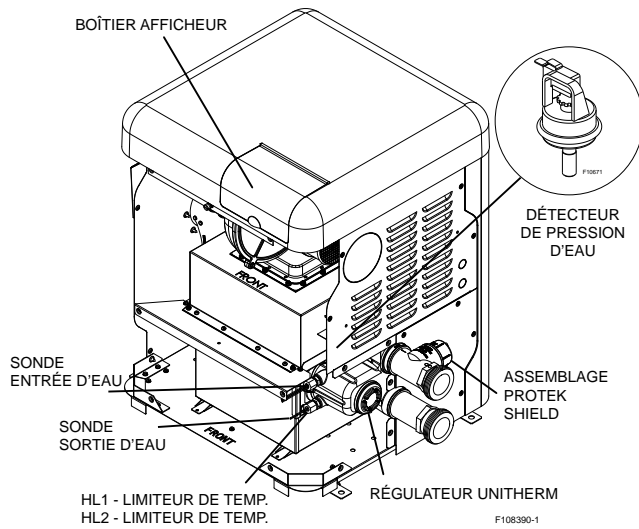


Figure 32. Emplacement des commandes (1)

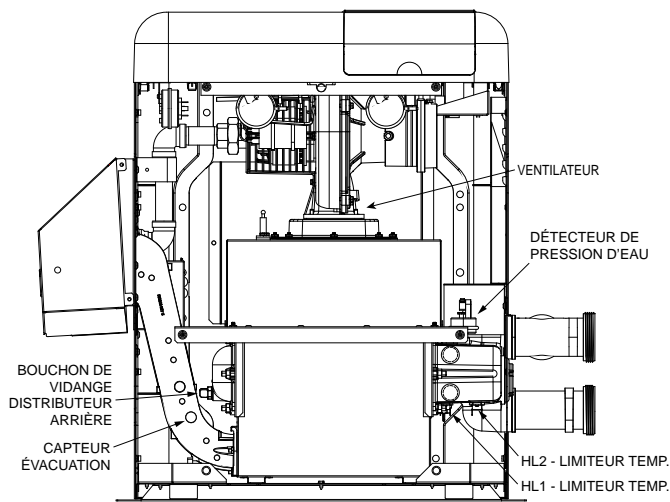


Figure 33. Emplacement des commandes (2)

Retrait du couvercle de l'appareil

1. Retirez les vis moletées des faces avant et arrière, voir Figure 34.
2. Soulevez le couvercle supérieur pour le séparer de l'appareil. Laissez le faisceau de câbles de l'interface-utilisateur connecté à la carte de l'allumeur.

NOTE: pour éviter d'endommager le faisceau de câbles, maintenez les harnais à l'écart lors de la manipulation du couvercle supérieur.

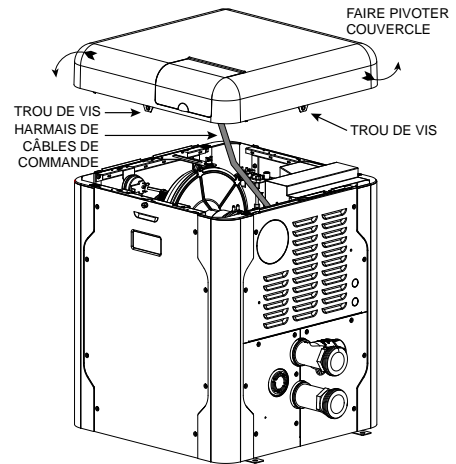


Figure 34. Retrait du couvercle de l'appareil

Réglages du module de commande

L'interface tactile, située sur le panneau avant supérieur de l'appareil, permet à l'utilisateur de sélectionner le mode POOL ou SPA et de régler la température de consigne. L'interface-utilisateur indique le mode (OFF, SPA, POOL) et la température réelle de l'eau. On retrouve sous l'interface tactile un interrupteur d'alimentation manuel qui permet de mettre sous tension ou d'éteindre le module de commande. L'interface-utilisateur affiche momentanément les versions du microprogramme de la carte de commande lors de la mise sous tension, voir Figure 35.

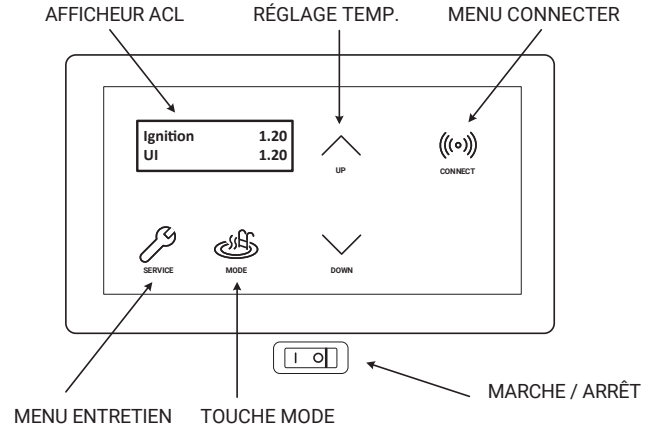


Figure 35. Réglages du module de commande

Touche Mode

La touche Mode permet de sélectionner POOL ou SPA. Elle permet également de sélectionner le mode, pendant lequel l'interface-utilisateur affiche OFF et la température de l'eau.

Touche UP et DOWN

Si l'appareil est en mode POOL ou SPA, la température de consigne (SETPOINT) s'affiche et peut être réglée à l'aide des touches UP ou DOWN.

Utilisation

Aux modes POOL ou SPA, la température réelle de l'eau et la température de consigne (SETPOINT) s'affichent. Lorsque la température de l'eau est supérieure au point de consigne, "Water Temp" et "No Demand" s'affichent en alternance. Lorsque la température de l'eau est inférieure au point de consigne, "Water Temp" et "Heating" s'affichent en alternance.

Pour régler la température de consigne, assurez-vous que le mode approprié (POOL ou SPA) est sélectionné et appuyez sur la touche UP ou DOWN.

La plage de réglage par défaut est de 50 à 104°F (10 à 40°C). Voir "**Menu programmation**" à la page 31 pour augmenter la valeur MAX, si requis.

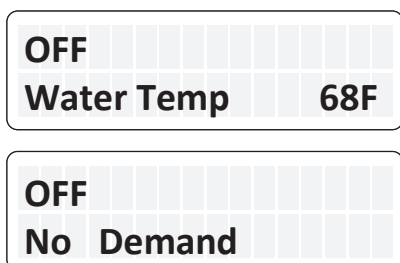


Figure 36. Alternance de l'affichage durant le chauffage

Menus d'entretien

Pour accéder aux menus d'entretien et à l'historique des pannes, appuyez sur la touche SERVICE à une reprise. L'appareil continue à fonctionner normalement quand le menu Service est sélectionné.

Le premier écran affiche l'intensité du signal généré par le détecteur de flamme. Un signal inférieur à 1,0 µA est faible et peut nécessiter un entretien. Reportez-vous à "**Guide de dépannage**" à la page 48 pour connaître les causes possibles et les correctifs.



Figure 37. Intensité du signal de flamme

Appuyez sur la touche DOWN. Cet écran indique la tension mesurée à la carte de commande. Les valeurs normales sont de 24 à 30 V.

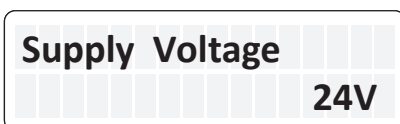


Figure 38. Tension d'alimentation

Appuyez sur la touche DOWN. Cet écran affiche le nombre total d'heures de fonctionnement de l'appareil (durée d'alimentation de la vanne de gaz). Le nombre de cycles correspond au nombre de cycles marche/arrêt de l'appareil (nombre de mises sous tension de la vanne de gaz).

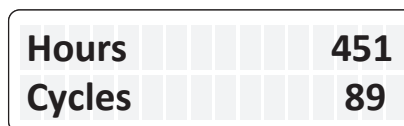
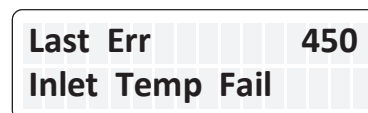


Figure 39. Durée et cycles de fonctionnement

Appuyez sur la touche DOWN. L'historique des 10 plus récents codes d'erreur s'affiche. Le plus récent code d'erreur est celui indiqué par "Last Err"; les codes suivants s'affichent en ordre chronologique inversé. La durée de fonctionnement au moment du déclenchement de l'erreur est affichée à la fin de la première ligne. La deuxième ligne affiche le message d'erreur. S'il n'y a pas d'erreur en mémoire, la deuxième ligne indique "All Faults Clear".



Or

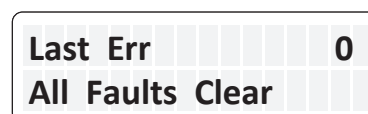


Figure 40. Historique des codes d'erreurs

Appuyez à nouveau sur la  touche Service. Le menu d'entretien avancé s'affiche.

Température d'entrée et de sortie

Cet écran indique la température détectée aux raccords d'entrée et de sortie de l'échangeur de chaleur.



Figure 41. Température à l'entrée et à la sortie de l'échangeur de chaleur

NOTE: le capteur de température de sortie est situé avant le robinet de dérivation. Par conséquent, la valeur de la température de sortie ne représente pas la température dans la boucle de la piscine.

Température d'évacuation

Appuyez sur la touche DOWN. Cet écran affiche la température détectée dans le conduit d'évacuation.

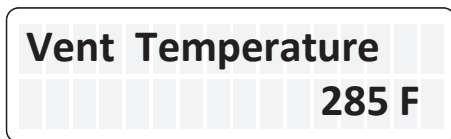


Figure 42. Température d'évacuation

NOTE: lorsqu'une température de 390°F (199°C) est détectée dans le conduit d'évacuation, l'appareil s'arrête et émet un code de surchauffe. Lorsque la température est inférieure à 175°F (79°C), l'appareil peut générer de la condensation.

Mesure du débit d'eau

Appuyez sur la touche DOWN. Par défaut, cet écran affiche le débit estimé lorsque l'appareil chauffe.

Lorsque le débitmètre optionnel est installé, cet écran peut être configuré pour afficher les lectures de ce débitmètre. Voir la page 32 pour configurer le signal du débitmètre.

NOTE: cet appareil nécessite idéalement un débit 40 GPM ou plus.

Le débit "HX Flow Estimate" (Estimation du débit dans l'échangeur) concerne uniquement le débit traversant l'échangeur. Voici les débits idéaux à travers l'échangeur de chaleur:

- Modèle 264 kBTU/h : 7 à 14 GPM
- Modèle 399 kBTU/h : 10 à 19 GPM

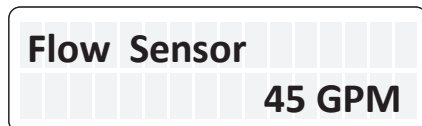


Figure 43. Mesure du débit d'eau

Volume estimé et durée de chauffe

Appuyez sur la touche DOWN. Cet écran indique le volume estimatif de la piscine en gallons et la durée de chauffe en minutes.

Appuyez sur la touche DOWN. Cet écran indique le volume estimatif du spa en gallons et la durée de chauffe en minutes.

Tout volume égal ou inférieur à 3000 gallons est indiqué comme spa, tandis que tout volume estimé au-dessus de 3000 gallons est considéré comme une piscine.



Figure 44. Volume estimé et durée de chauffe

NOTE: les estimations de volume et de durée de chauffage sont basées sur la production d'eau chaude à un rythme constant par un seul appareil. L'utilisation de plusieurs appareils ou sources de chaleur, ou le chauffage de plusieurs plans d'eau peut donner des estimations erronées.

Statut de la pompe Protégé

Appuyez sur la touche DOWN. Lorsqu'une pompe à vitesse variable Protégé est raccordée à l'appareil et que l'interface de communication est activée, l'écran "Pump Status" indique le statut actuel de la pompe.

Par défaut, le contrôleur de pompe est désactivé. Voir la page 32 pour configurer le contrôleur de pompe.

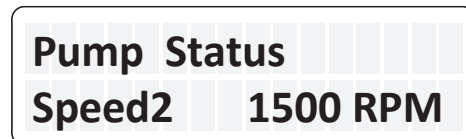


Figure 45. Pump Status

Relais auxiliaire

Appuyez sur la touche DOWN. Cet écran indique l'état actuel de la sortie de relais auxiliaire.

Pour vérifier le fonctionnement du relais auxiliaire, appuyez simultanément sur les touches SERVICE et MODE pendant 3 secondes pour commuter la sortie relais (ON/OFF).

Le signal du relais auxiliaire peut être activé/désactivé selon l'horaire défini dans l'application Raymote.

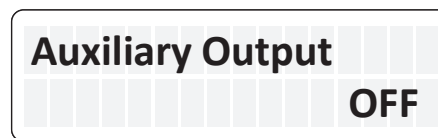


Figure 46. Sortie du relais auxiliaire

NOTE: le relais auxiliaire (port P9) est à contact sec (nécessite source externe pour alimenter les dispositifs raccordés). Ne le raccordez pas à un module nécessitant plus de 3 A. Pour plus de détails, voir section 13, Relais de commandes auxiliaire, à la page 81.

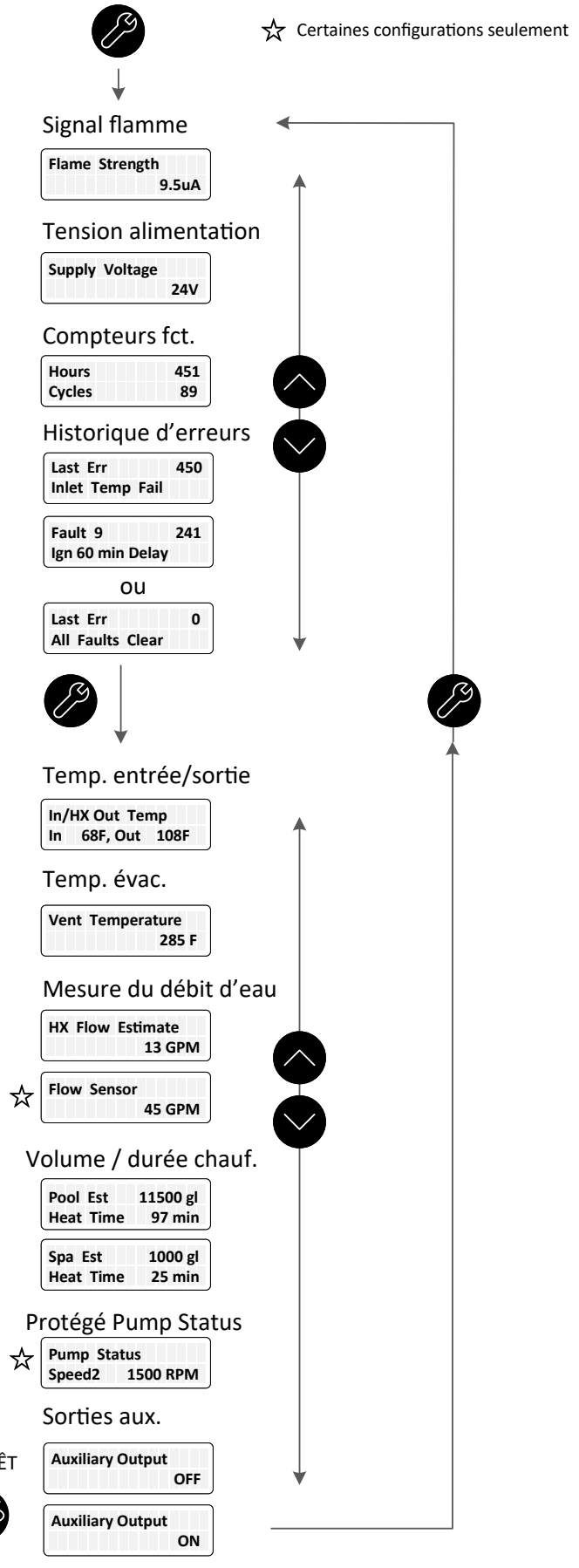
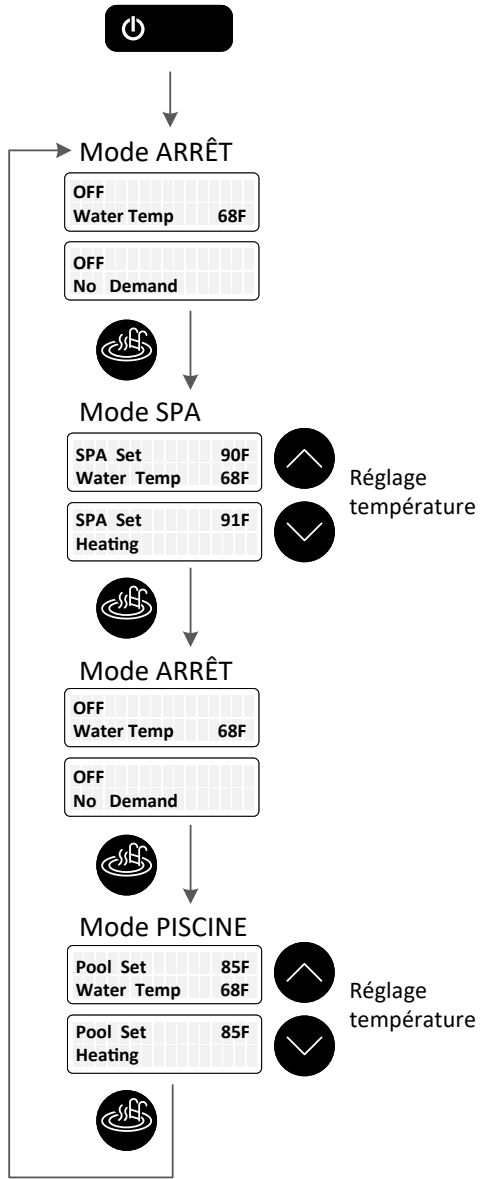
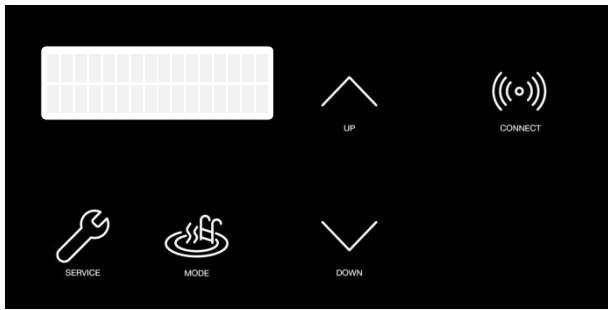


Figure 47. Écrans de fonctionnement et d'entretien

Menu programmation

Pour accéder au menu de programmation, maintenez simultanément enfoncées les touches SERVICE et MODE pendant 5 à 7 secondes, jusqu'à ce que "Language" s'affiche à l'écran.

NOTE: toute modification aux paramètres par défaut peut affecter le bon fonctionnement de l'appareil.

Appuyez séquentiellement sur la touche SERVICE jusqu'au menu désiré. Par défaut, il y a 12 paramètres programmables. D'autres paramètres s'affichent lorsque les fonctions correspondantes sont activées. **Figure 48** présente les menus par défaut.

Language English	Lenguaje Español	Langue Français
Set Defaults	Defaults Set	
Reset Faults	Faults Cleared	
Temp Display Fahrenheit	Temp Display Celsius	
Spa Max Temp 50 F	Spa Max Temp 107 F	
Pool Max Temp 50 F	Pool Max Temp 107 F	
WiFi Reset	WiFi Initialized	
Automation Mode Enabled	Automation Mode Disabled	
Flow Monitoring Estimation	Flow Monitoring Flow Sensor	
Altitude Normal 0 to 4500 ft	Altitude High Above 4500 ft	
Pump Control Disabled	Pump Control Enabled	
Water Chemistry Disabled	Water Chemistry Enabled	

Figure 48. Paramètres programmables

Sélection de langue

Le tout premier paramètre permet de sélectionner la langue d'affichage.

Appuyez sur les touches UP ou DOWN pour passer de l'anglais, à l'espagnol et au français.

Réinitialiser les valeurs par défaut

Appuyez à nouveau sur la touche SERVICE. "Set Defaults" (Régler les valeurs par défaut) s'affiche. Pour réinitialiser les valeurs par défaut, maintenez simultanément enfoncées les touches SERVICE et MODE pendant 3 à 5 secondes jusqu'à ce que "Defaults Set" s'affiche.

Cette manipulation réinitialise les paramètres d'usine par défaut.

Par exemple, les points de consigne POOL et SPA reviennent à 18°C (65°F) et les réglages de température maximale POOL et SPA à 104°F (40°C). La langue par défaut est Anglais, la température en Fahrenheit, le mode automatisé est activé, l'altitude est à Normale, la surveillance du débit est à Estimer, le mode de contrôle de la pompe et de tout autre module externe est désactivé. Le code NIP de verrouillage du module de commande est effacé et le module retourne à son mode de fonctionnement normal. Voir "Verrouillage du module" à la page 34.

Réinitialisation des codes d'erreurs

Appuyez à nouveau sur la touche SERVICE. "Clear Faults" (Suppression des erreurs) s'affiche à l'écran. Pour supprimer l'historique des erreurs, maintenez simultanément enfoncées les touches SERVICE et MODE pendant 3 à 5 secondes jusqu'à ce que "Faults Cleared" s'affiche.

Affichage de la température

Appuyez à nouveau sur la touche SERVICE. "Temp Display" s'affiche à l'écran. Les touches UP ou DOWN permettent de basculer entre Fahrenheit et Celsius. Sélectionnez l'unité de température souhaitée.

Réglage maximum du point de consigne spa

Appuyez sur la touche SERVICE jusqu'à ce que "Spa Max. Temp" s'affiche à l'écran. Appuyez sur les touches UP ou DOWN pour régler la température maximale à la valeur souhaitée. La valeur maximum admissible est de 107 °F (42°C).

Réglage maximum du point de consigne piscine

Appuyez sur la touche SERVICE jusqu'à ce que "Pool

AVERTISSEMENT: assurez-vous de correctement configurer la température de consigne maximale de la piscine ou du spa. La température de consigne ne devrait jamais être supérieure à 107°F (42°C).

Max. Temp" s'affiche à l'écran. Appuyez sur les touches UP ou DOWN pour régler la température maximale à la valeur souhaitée. La valeur maximum admissible est de 107 °F (42°C).

Réinitialisation Wi-Fi

Appuyez à nouveau sur la touche SERVICE. "Wi-Fi Reset" (Réinitialisation Wi-Fi) s'affiche à l'écran. Pour supprimer le nom du réseau et le mot de passe sauvegardés, maintenez simultanément enfoncées les touches SERVICE et MODE pendant 3 à 5 secondes jusqu'à ce que "Wi-Fi Initialized" s'affiche.

Cette manipulation réinitialise les identifiants Wi-Fi et permet la configuration avec l'application Raymote. Pour plus de détails sur la façon de connecter l'appareil à Raymote, suivez les instructions à la page 51.

Mode automatisé

Appuyez sur la touche SERVICE jusqu'à ce que "Automation Mode" s'affiche à l'écran. Appuyez sur les touches UP ou DOWN pour activer ou désactiver le mode automatisé.

Lorsque l'automatisation est désactivée, les routines programmées via l'appli Raymote sont ignorées.

Par défaut, le mode automatisé est activé. Pour plus de détails sur la configuration d'un horaire et de l'automatisation avec Raymote, voir page 63.

Mesure du débit d'eau

Appuyez sur la touche SERVICE jusqu'à ce que "Flow Monitoring" s'affiche à l'écran. Appuyez sur les touches UP ou DOWN pour sélectionner "Estimation" ou "Flow Sensor".

Le paramètre par défaut est "Estimated". Cette fonction estime le débit qui traverse l'échangeur de chaleur lorsque l'appareil chauffe l'eau.

Le signal du port d'entrée de mesure du débit (P11) doit être généré par un débitmètre optionnel à effet Hall de 5 VCC. Lorsque la fonction de mesure du débit est activée, un signal dont la fréquence est de 1 Hz correspond à un débit de 1 GPM. Pour calibrer le débit, il faut définir un gain dans le sous-menu "Flow Sensor Gain".

Sensor Gain	1.0	Sensor Gain	12.5
Flow	2 GPM	Flow	25 GPM

Figure 49. Sous-menu Flow Sensor Gain

Commande de la pompe Protégé

Appuyez sur la touche SERVICE jusqu'à ce que "Pump Control" s'affiche à l'écran. Appuyez sur les touches UP ou DOWN pour activer ou désactiver ce mode. Par défaut, le module de commande de la pompe est désactivé.

Ce module de commande de pompe est compatible avec les pompes à vitesse variable Raypak Protégé VSP et EVP.

Lorsque "Pump Control" est activé, les sous-menus de configuration de la vitesse deviennent disponibles. Utilisez

ces sous-menus pour configurer les 4 réglages de vitesse de la pompe.

Pump Speed1	900 RPM	Pump Speed2	1500 RPM
Pump Speed3	2500 RPM	Pump Speed4	2900 RPM

Figure 50. Sous-menus Pump Speed

Paramètres d'eau

Appuyez sur la touche SERVICE jusqu'à ce que "Water Chemistry" s'affiche à l'écran. Appuyez sur les touches UP ou DOWN pour activer ou désactiver ce mode. Par défaut, Water Chemistry est désactivé.

Ces fonctions sont compatibles avec le kit de surveillances des paramètres d'eau de Raypak.

Activation des relais auxiliaires

NOTE: cette option est uniquement disponible sur les appareils équipés de 2 relais auxiliaires (PCB 1134-83-7506/7606).

Appuyez sur la touche SERVICE jusqu'à ce que "Auxiliary 1 Mode" ou "Auxiliary 2 Mode" s'affiche à l'écran. Les touches UP ou DOWN servent à sélectionner le mode de fonctionnement des relais auxiliaires. Le mode par défaut des relais auxiliaires 1 et 2 est "Raymote/Manual".

Appuyez sur les touches UP ou DOWN pour modifier la sélection du mode de fonctionnement. Voici les divers modes de fonctionnement des relais auxiliaires:

-Raymote/Manual : le relais auxiliaire peut être commandé depuis l'appli Raymote ou du menu SERVICE de l'interface-utilisateur.

-Mode Spa : le relais auxiliaire est activé lorsque l'appareil est en mode Spa.

-Mode Pool: le relais auxiliaire est activé lorsque l'appareil est en mode Pool.

-Mode Pool/Spa: le relais auxiliaire est activé lorsque l'appareil est en mode Pool ou Spa.

-Mode Blower: le relais auxiliaire est activé lorsque le ventilateur fonctionne.

-Mode Heat: le relais auxiliaire est activé lorsque l'appareil est en mode Heat.

Auxiliary 1 Mode	Auxiliary 2 Mode
Raymote / Manual	Switch w/ Blower

Figure 51. Activation des relais auxiliaires - Modèles à 2 relais auxiliaires seulement

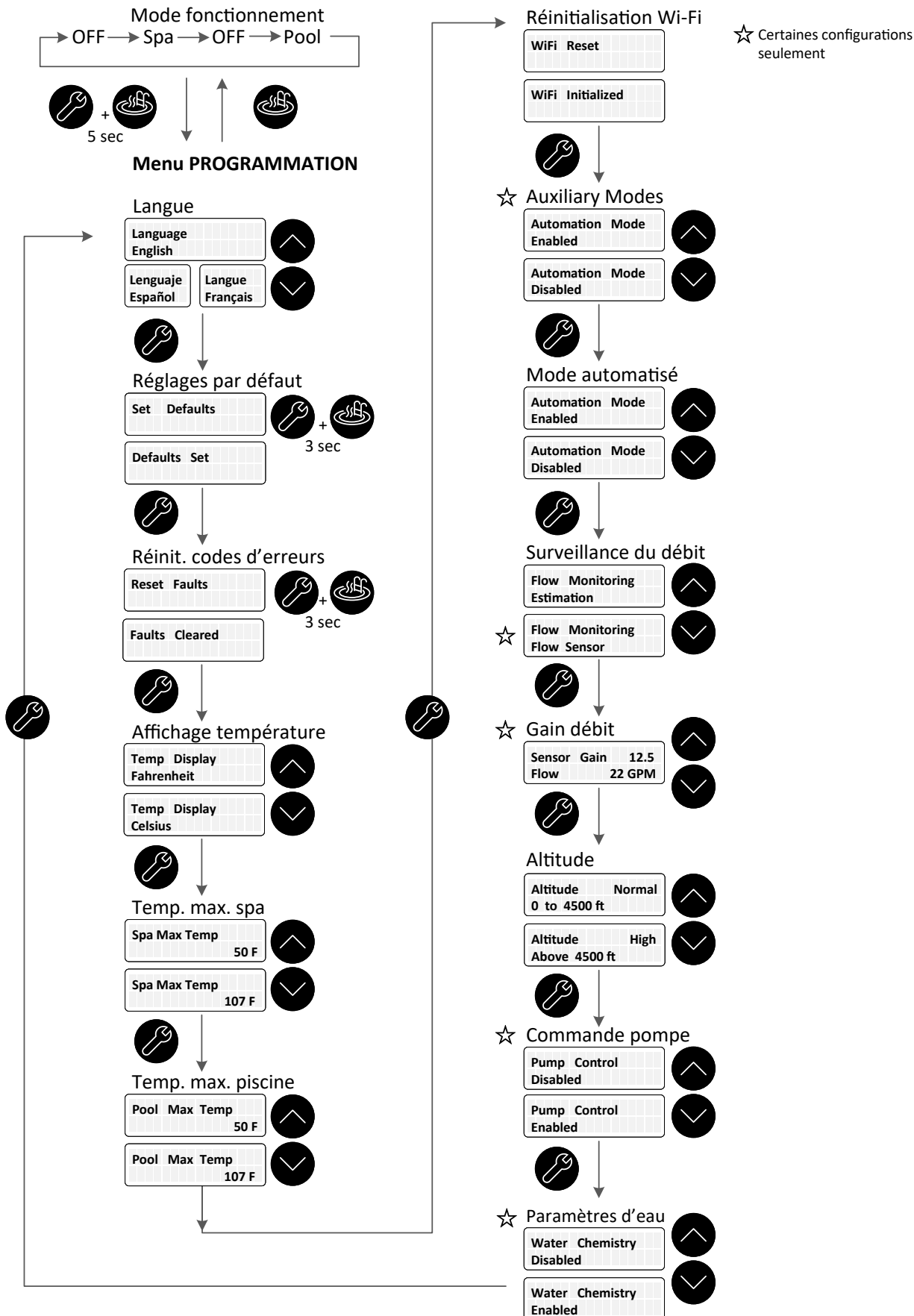


Figure 52. Écrans du menu de programmation

Verrouillage de la commande

La commande de l'appareil est équipée d'une fonction de verrouillage empêchant toute altération ou réglage non autorisé des paramètres. Pour verrouiller la commande, appuyez simultanément sur les touches MODE et DOWN pendant 5 secondes. Définissez un code NIP à trois chiffres, en utilisant les touches haut et bas pour sélectionner les chiffres et la touche MODE pour confirmer les sélections. Confirmez votre sélection pour enregistrer le NIP.

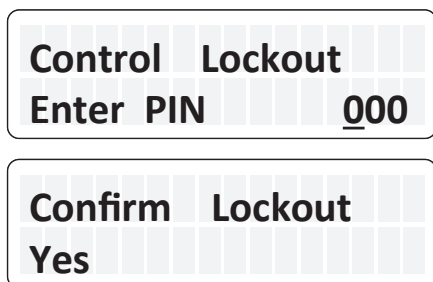


Figure 53. Verrouillage de la commande

Pour déverrouiller la commande, appuyez simultanément sur la touche MODE, UP ou DOWN pour afficher le menu ENTER PIN. Entrez le code NIP utilisé pour verrouiller la commande. À noter: la coupure de l'alimentation électrique ne réinitialise pas le verrouillage. À la suite du déverrouillage, l'écran affiche "LOCKBOX CLEARED". À la suite de l'entrée d'un NIP invalide, l'écran affiche "INVALID PIN".

En cas de perte du code NIP, sélectionnez SET FACTORY DEFAULTS dans le menu de programmation. Cela réinitialisera le NIP, lancera le fonctionnement normal de l'appareil et permettra la sélection d'un nouveau code NIP, si désiré. Lire la section Menu de programmation à la p.31 pour plus de détails.

NOTE : à la suite de la sélection de FACTORY DEFAULTS, les points de consigne POOL et SPA reviennent à 18°C (65°F) et les réglages de température maximale POOL et SPA à 104°F (40°C). Ces paramètres doivent être réglés à nouveau, au besoin. Les autres paramètres par défaut sont également appliqués.

Statut et diagnostic

L'interface-utilisateur affiche une variété de messages d'état et diagnostiques.

Les messages de statut suivants s'affichent aux modes Pool, Spa et Remote lorsqu'il n'y a aucun message d'erreur actif.

Afficheur	Condition
No Demand	La température de l'eau est égale ou supérieure au point de consigne.
Verifying Water	Pause de 2 minutes pour mesurer la pression et le débit d'eau.
Pre-Purge	Appel de chaleur déclenché.
Spark	Allumage en cours.
Heating	Flammes présentes, l'appareil chauffe.
Post-purge	Cycle de chauffage terminé, l'appareil refroidit.

Tableau O. Message de statut

Les messages de statuts suivants s'affichent aux modes Pool, Spa et Remote lorsqu'il y a des messages d'erreurs actifs.

Afficheur	Condition
No Communication With Ignition	Aucune communication entre l'interface utilisateur et la carte d'allumage. Vérifier connecteur P7 et le faisceau de câbles.
In Sensor Fault	Écart entre les températures des thermistances d'entrée d'eau supérieures à 3°F (1,5°C).
In Sensor Open	Échec thermistance d'entrée d'eau en position ouverte. Sous 6°F (-14°C).
In Sensor Short	Échec thermistance d'entrée d'eau en court-circuit. Au-dessus de 188°F (86,5°C).
Out Sensor Open	Échec thermistance de sortie d'eau en position ouverte. Sous 6°F (-14°C).
Out Sensor Short	Échec thermistance de sortie d'eau en court-circuit. Au-dessus de 188°F (86,5°C).
Flue Sensor Open	Échec d'ouverture du capteur de temp. d'évacuation. Au-dessus de 464°F (240°C).
Flue Sensor Shrt	Échec du capteur de temp. d'évacuation en court-circuit. Sous 7,5°F (-13,5°C).
Flow Sensor Fail	Lorsqu'équipé, lecture débitmètre hors plage (0 à 100 GPM).
Flame w/o CFH	Carte détecte la flamme lorsque la vanne à gaz est supposée être fermée.
Gas Valve Fault	La vanne de gaz est détectée ouverte alors qu'elle devrait être fermée. Verrouillage temporaire de 60 minutes.
Pump Ctl Fail	Lorsqu'équipé, le contrôleur de la pompe Protégé est activé mais ne répond pas aux commandes.
WChem Brd Fail	Lorsqu'équipé, le contrôleur chimique est activé mais ne répond pas aux commandes.
Diff Sw Closed	Le module de commande détecte la fermeture du pressostat différentiel lorsque le ventilateur n'est pas alimenté.
Diff Sw Open	Le ventilateur est alimenté pendant 10 secondes sans fermeture du pressostat différentiel.
Internal Fault ou EEPROM Fault	Erreur mémoire. Réinitialiser consignes ou remplacer la carte.
Clock/Fireman Sw	Le circuit de la minuterie est ouvert.
Low Temp Lockout	La température de l'eau est inférieure à 36°F (2°C).
Low Voltage	Le contrôleur est alimenté à moins de 23 VCA.
Sensor Misplaced	Vérifier l'installation des capteurs aux raccords d'entrée et de sortie.

Tableau P. Messages de statuts - Erreurs actives

Les messages suivants s'affichent uniquement lors d'un appel de chaleur.

Afficheur	Condition
Flame Lost	Flammes non détectées lors du cycle de chauffage.
Water Sw Open	Détecteur de pression d'eau ouvert.
Vent Sw Open	Pressostat d'évacuation ouvert. S'assurer de l'absence d'obstruction dans le conduit d'évacuation.
Hi Limit 1 Fault	Limiteur de temp. #1 ouvert. Appuyer sur touche MODE pour relancer. Vérifiez les débits du système.
Hi Limit 2 Fault	Limiteur de temp. #2 ouvert. Appuyer sur touche MODE pour relancer. Vérifiez les débits du système.
Cabinet Temp Lm	Limiteur température interne ouvert.
Air SW Open	Pressostat ouvert. S'assurer de l'absence d'obstruction dans le conduit d'apport d'air.
Fan Lockout	3 erreurs pressostat lors du même appel de chaleur. Couper brièvement l'alimentation pour réinitialiser.
Diff Sw Fault	Échec pressostat différentiel ouvert. Vérifier si le ventilateur tourne et si l'appareil est alimenté en électricité.
Ign Try Failure	Échec d'allumage, première ou deuxième tentative. Vérifier l'alimentation en gaz.
Ign 60 min Delay	3 échecs vanne de gaz lors du même appel de chaleur. Verrouillage de 60 mins.
Ignition Lockout	Un seul essai d'allumage et verrouillage. Couper brièvement l'alimentation pour réinitialiser.
Flue Over Temp	Température d'évacuation supérieure à 390°F (199°C). Couper brièvement l'alimentation pour réinitialiser.
Remote Wire Err	Lorsque le mode Remote est actif, les entrées Spa et Pool sont sous tension.
Outlet Over Temp	Température de sortie supérieure à 180°F (82°C). Vérifiez les débits du système.
Low Flow Fault	Débit insuffisant dans l'appareil. Possibilité d'entartrage excessif.
High Flow Fault	Débit excessif dans l'appareil. Possibilité de condensation.
Flue Low Temp	Température d'évacuation inférieure à 175°F (80°C). Avertissement: possibilité de condensation.
Flue Extreme Low	Température d'évacuation inférieure à 140°F (60°C). Réparation requise. Appuyer sur touche MODE pour relancer.
Call Service	3 verrouillages du ventilateur, de l'allumage ou de basse température en 48 heures. Appeler réparateur.

Tableau Q. Messages de statuts - Appel de chaleur
Voir guides de dépannage, pages 49 et 50 pour poser diagnostic.

⚠ AVERTISSEMENT: l'entretien approprié de cet appareil nécessite une certaine expertise, des habiletés mécaniques, des outils et de l'équipement appropriés. Si vous ne possédez pas ces outils et compétences, ne tentez pas de réparer cet appareil; effectuez uniquement les procédures d'entretien recommandées au présent manuel.

Thermostat externe - Installation et utilisation

⚠ ATTENTION: avant de raccorder un thermostat externe à l'appareil, lisez ce qui suit: Cet appareil peut être commandé par un thermostat externe. L'écran affiche la température actuelle de la piscine, l'état de fonctionnement et les messages d'entretien, voir Figure 54. Les touches du panneau de commande permettent de sélectionner la température de consigne de la piscine ou du spa. Le cas échéant, l'écran de l'appareil indique qu'il est commandé à distance. Avant de raccorder l'appareil à un thermostat externe, vérifiez s'il s'agit d'un système à deux ou trois fils. Suivez les instructions appropriées ci-dessous pour correctement raccorder le thermostat externe à l'appareil.

Thermostat externe

Cet appareil est équipé d'une interface permettant le raccordement à un thermostat externe ou à un module de commande. Il est équipé d'un connecteur à 3 broches dont l'un des câbles peut alimenter un interrupteur externe ou l'interrupteur intégré du thermostat externe. Il s'agit d'un simple circuit de commande en série qui peut être ouvert ou fermé. Le thermostat externe ne doit pas mettre l'appareil sous tension, il doit seulement effectuer la fonction de commutation marche/arrêt. Les thermostats externes qui envoient une tension à l'appareil ne sont pas compatibles, car cela risque d'endommager la carte électronique de l'appareil.

Pour faire fonctionner l'appareil à l'aide des signaux des sondes internes et d'une minuterie, voir la section "Minuterie" à la page 38.

THERMOSTAT EXTERNE ACTIVÉ

Remote OFF	Water Temp 68F	Remote OFF	No Demand
Remote SPA 90F	Water Temp 68F	Remote SPA 90F	Heating
Remote Pool 85F	Water Temp 85F	Remote Pool 85F	No Demand

Figure 54. Modes de fonctionnement

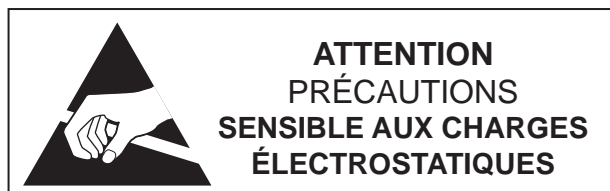
Activation du thermostat

Pour activer ou désactiver le thermostat externe, appuyez et maintenez enfoncées les touches UP et DOWN pendant 3 à 5 secondes.

La première ligne de L'interface-utilisateur affiche "Remote", "Off", "Pool" "Spa", ainsi que la température de consigne. La deuxième ligne de l'interface-utilisateur affiche en alternance "Water Temp", la température de l'eau et le statut de l'appareil, voir page 34.

NOTE: lorsque l'appareil est commandé à distance par un thermostat externe, les touches Mode et du réglage de la température du module sont désactivées.

Câblage d'un thermostat externe



⚠ ATTENTION: une décharge électrostatique peut endommager le câblage ou la carte électronique par contact direct ou indirect. Une personne à proximité de l'appareil pourrait avoir accumulé une charge électrostatique. Un éventuel contact d'un doigt pourrait causer une décharge et endommager l'appareil. Pour éviter ce type de dommage, la personne effectuant l'entretien doit se décharger, par exemple en touchant au boîtier métallique de l'appareil pendant 5 secondes avant de procéder.

Notes d'installation importantes pour le câblage d'un thermostat externe:

- Le câblage du thermostat externe doit être acheminé dans un conduit séparé.
- Le câblage du thermostat externe ne doit pas être acheminé à proximité de câbles sous tension.
- Pour une distance d'acheminement inférieure à 30 pi (9 m), utilisez des conducteurs torsadés (spires de 1,5 à 2,5 po) et gainés de calibre minimum 22 AWG, 600 V.
- Pour une distance d'acheminement supérieure à 30 pi (9 m), utilisez des conducteurs torsadés (spire de 1,5 à 2,5 po) et gainés de calibre minimum 20 AWG, 600 V.
- Longueur maximale de câble admissible: 200 pi (61 m).
- Qu'il s'agisse d'un thermostat à deux ou trois fils, il faut le raccorder au connecteur à trois broches qui équipe l'appareil.

NOTE: les câbles du thermostat externe doivent être raccordés au connecteur à 3 broches avant le raccordement du connecteur à la carte.

Thermostat à deux fils (marche/arrêt)

Ces instructions supposent qu'une seule fonction de chauffage est requise (piscine ou spa).

1. Mettez l'appareil en marche.
2. Dans le cas d'un thermostat à 2 fils sans capteur de température, appuyez sur la touche MODE pour atteindre le mode "POOL" ou "SPA" et sélectionnez la température de consigne souhaitée.
3. Dans le cas d'un thermostat à 2 fils avec capteur de température, appuyez sur la touche MODE pour atteindre le mode "POOL" ou "SPA" et réglez la température de consigne à sa plus haute valeur. Dans ce cas, c'est le thermostat externe qui régulera la température de consigne.
4. Mettez l'appareil à l'arrêt (touche MODE OFF) et coupez l'alimentation électrique.
5. Depuis le harnais de câble à 3 fils pour thermostat externe, connectez le fil BLEU d'un côté de l'interrupteur "REMOTE" et connectez l'autre côté de l'interrupteur au fil ORANGE/NOIR dans le cas d'un SPA ou au fil NOIR/ORANGE pour une piscine, voir **Figure 57**.
6. Utilisez l'écrou pour raccorder le fil inutilisé au harnais de câble 3 fils pour thermostat externe.
7. Connectez le harnais de câble 3 fils pour thermostat externe au connecteur P8 et mettez l'appareil à ON, voir **Figure 57**.

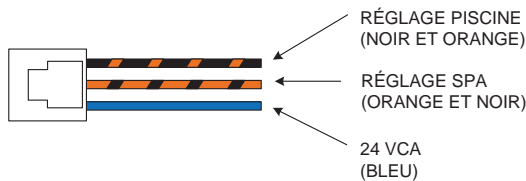


Figure 55. Harnais de câble 3 fils pour thermostat externe

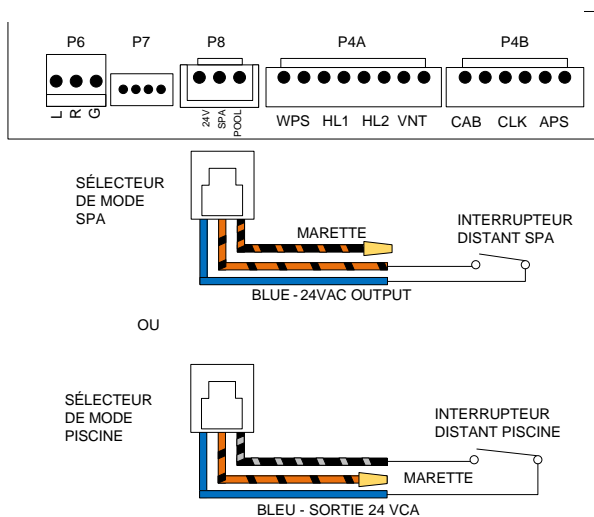


Figure 56. Harnais de câble 2 fils pour thermostat externe

Thermostat externe à trois fils et à sélecteur trois positions (Pool-Off-Spa, ou Low-Off-High)

Ces instructions supposent que les deux fonctions de chauffage sont requises (piscine et spa).

1. Mettez l'appareil en marche.
2. Appuyez sur la touche MODE pour sélectionner POOL ou SPA et réglez la température désirée pour chacun (ex.: 80°F (27°C) pour la piscine et 102°F (39°C) pour le spa).
3. Mettez l'appareil à l'arrêt (touche MODE OFF) et coupez l'alimentation électrique.
4. Depuis le harnais de câble à 3 fils pour thermostat externe, connectez le fil BLEU d'un côté du thermostat et l'autre côté au fil ORANGE/NOIR dans le cas d'un SPA ou au fil NOIR/ORANGE pour une PISCINE, voir **Figure 57**.
5. Connectez le harnais de câble 3 fils pour thermostat externe au connecteur P8 et mettez l'appareil à ON, voir **Figure 57**.

Pour activer le thermostat externe, reportez-vous à la section "**Activation du thermostat**" à la page 36.

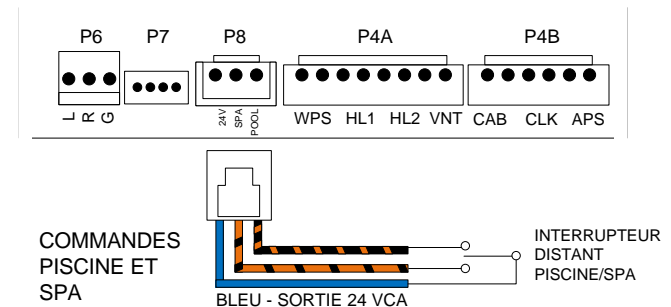


Figure 57. Harnais de câble 3 fils pour thermostat externe

Minuterie

Pour faire fonctionner l'appareil à l'aide d'une minuterie, connectez-la au connecteur correspondant.

La minuterie doit être à interrupteur double et doit éteindre l'appel à la chaleur de 15 à 20 minutes avant l'arrêt de la pompe de piscine.

Le connecteur de minuterie se trouve dans la boîte de jonction. Raccordez la minuterie au fil cavalier violet marqué "Where necessary" et "Fireman's switch circuit here", voir **Figure 58**.

La minuterie doit être à contact sec et ne doit pas alimenter l'appareil de chauffage. L'utilisation d'une minuterie avec source d'alimentation externe peut cause des dommages qui ne sont pas couverts par la garantie.

La longueur du câblage ne peut être supérieure à 50 pi (15 m) avec un câble en cuivre torsadé de 18 AWG, température nominale de 221°F (105°C).

NOTE: lors de l'utilisation d'une minuterie, l'appareil affiche "Clock/Fireman Sw" lorsque le circuit est ouvert, ce qui indique que la minuterie bloque les appels de chaleur.

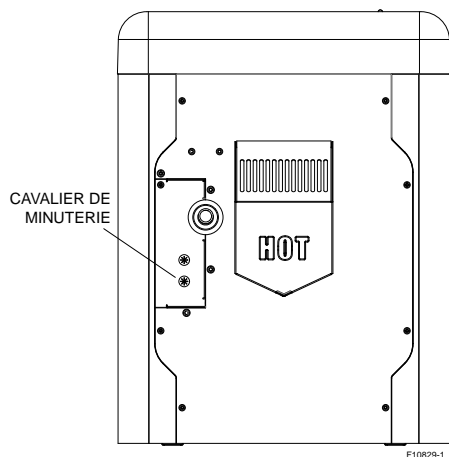


Figure 58. Emplacement des câbles de minuterie

Détecteur de pression d'eau

Le détecteur de pression d'eau assure que l'appareil fonctionne uniquement lorsque la pompe de filtration fonctionne. Il se trouve sur le distributeur d'entrée/sortie. Il est réglé en usine à 1,75 PSI pour une installation près du niveau d'eau.

Réglage du détecteur de pression d'eau

Lorsque l'appareil est positionné sous le niveau du spa ou de la piscine, il peut être nécessaire de régler le détecteur pour compenser la pression statique. Procédure de réglage du détecteur de pression (si requis):

1. Assurez-vous que le filtre de piscine est propre avant de régler le détecteur de pression.
2. Réglez la commande de chauffage à OFF.
3. Mettez la pompe en marche et confirmez la fermeture du détecteur de pression, à l'aide d'un multimètre). Si le détecteur de pression ne se ferme pas, soit le réglage du détecteur est trop élevé, soit la pompe de filtration fournit une pression insuffisante.
4. Mettez l'appareil en marche.
5. Faites pivoter le bouton de réglage de la pression dans le sens horaire jusqu'à ce que l'appareil s'éteigne (un tournevis plat peut être requis si le bouton est trop serré).
6. Faites lentement pivoter le bouton de réglage dans le sens antihoraire jusqu'au déclenchement d'un appel de chaleur.
7. Faites pivoter sur un demi-tour supplémentaire dans le sens antihoraire.
8. Pendant que l'appareil fonctionne, vérifiez le réglage en éteignant et en allumant la pompe à plusieurs reprises. Les brûleurs doivent s'éteindre immédiatement lorsque la pompe s'arrête. Si ce n'est pas le cas, répétez les étapes ci-dessus jusqu'à l'observation du fonctionnement approprié.

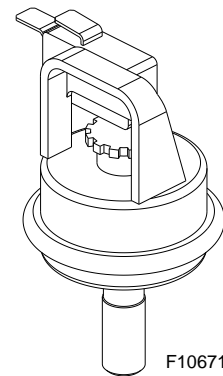


Figure 59. Assemblage du détecteur de pressions d'eau

NOTE: les panneaux d'accès en métal doivent être en place en tout temps pour protéger le détecteur de pression d'eau de la pluie et des éléments.

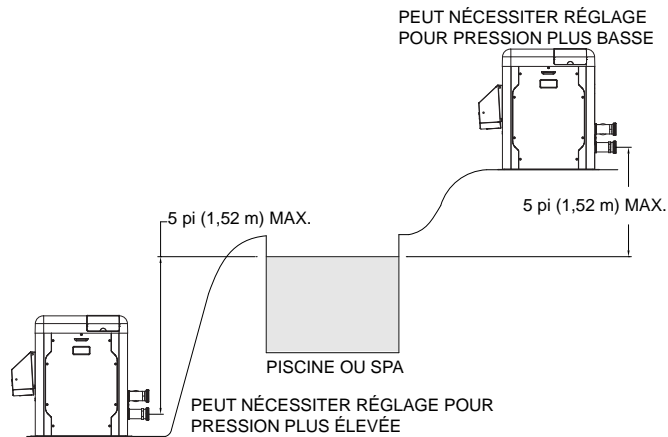


Figure 60. Configurations nécessitant un réglage

NOTE: si l'appareil est installé au-delà des limites indiquées, un détecteur de pression d'eau plus puissant (11 psi/76 kPa) peut être requis. Il est aussi possible d'utiliser un débitmètre monté à proximité de l'appareil, au lieu du détecteur de pression d'eau monté en usine. Voir "Liste de pièces illustrées" à la page 84 pour le détecteur de pression d'eau de 11 psi/76 kPa).

Pompes à deux vitesses et à vitesse variable

Dans certains cas, le débit à basse vitesse est insuffisant pour faire fonctionner l'appareil. Cela est évident lorsque les limites du détecteur de pression d'eau sont atteintes ou si l'appareil émet des bruits sourds ou s'éteint à la limite supérieure. Dans ces cas, la pompe doit être mise en marche à grande vitesse lors du chauffage de l'eau.

ATTENTION: ne faites pas fonctionner l'appareil sans détecteur de pression d'eau ou débitmètre correctement calibré.

Limiteur de température interne

L'appareil est équipé d'un limiteur de température interne pour éviter la surchauffe des composants à l'intérieur de l'armoire en cas de fuite des gaz de combustion. C'est un limiteur à réarmement manuel qui doit être remis à zéro par le technicien d'entretien après la réparation de toute éventuelle fuite ou dommage.

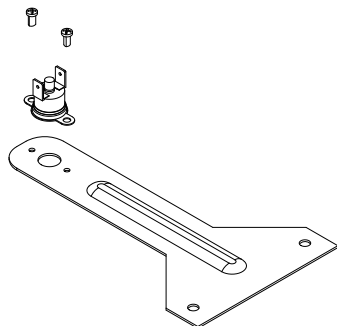


Figure 61. Limiteur de température interne - Réarmement manuel

Limiteurs de température

Le distributeur d'entrée/sortie est aussi équipé de deux limiteurs à réarmement automatique. Même si les deux limiteurs sont pré-réglés pour automatiquement se réinitialiser, l'appareil demandera à l'opérateur d'appuyer sur la touche MODE si l'un ou l'autre des limiteurs se déclenche pendant que l'appareil fonctionne.

NOTE: l'ouverture erratique du limiteur de température peut être un symptôme d'un problème d'échangeur de chaleur (ex.: entartrage) ou d'une vanne de dérivation défectueuse. Reportez-vous à "Guide de dépannage" à la page 48.

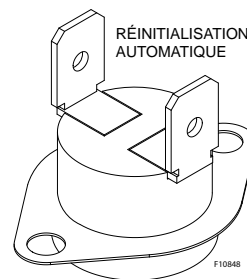


Figure 62. Limiteur de température

Retrait du limiteur de température

1. Coupez l'alimentation électrique de l'appareil.
2. Retirez le panneau d'accès entrée/sortie en métal.
3. Enlevez le limiteur défectueux et remplacez-le.
4. Réinstallez le panneau d'accès.

Réglage de la pression du distributeur

1. Retirez le couvercle pour accéder à la vis de réglage.
2. Faites tourner la vis de réglage dans le sens horaire pour augmenter la pression (ex.: -0,6 po c.e., une rotation horaire augmente la pression à -0,5 po c.e., -0,4 po c.e., etc.).
3. La pression au distributeur doit être de -0,30 po c.e. (+/- 0,20 po c.e.) lorsque l'appareil fonctionne. Si vous disposez d'un analyseur de combustion, la concentration d'O₂ doit être réglée entre 4,5 et 5,5% lorsque l'appareil chauffe.
4. Réinstallez le couvercle avant de lire la pression au distributeur.

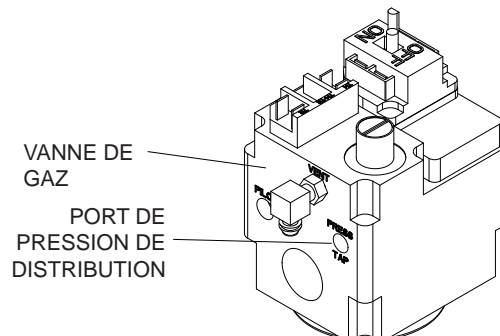
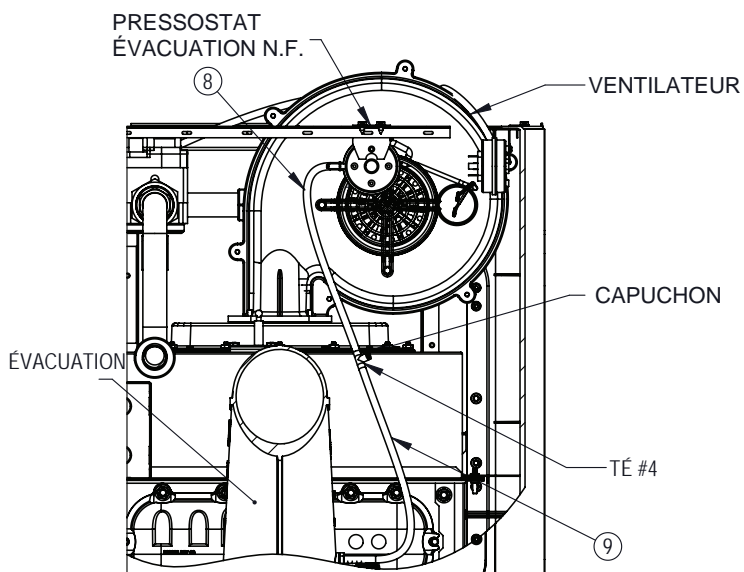
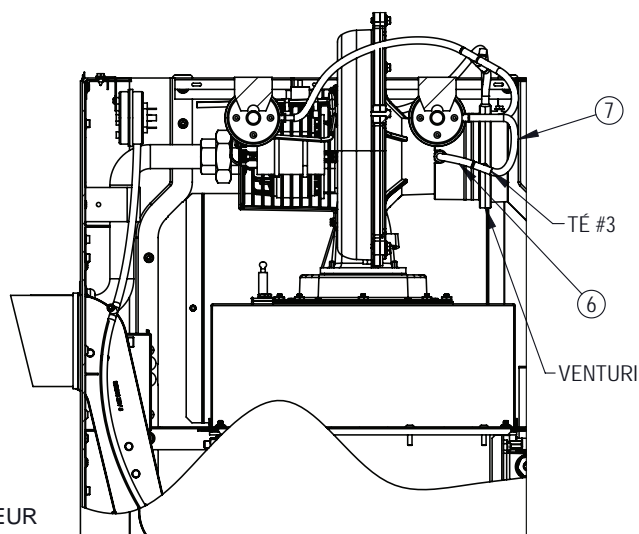
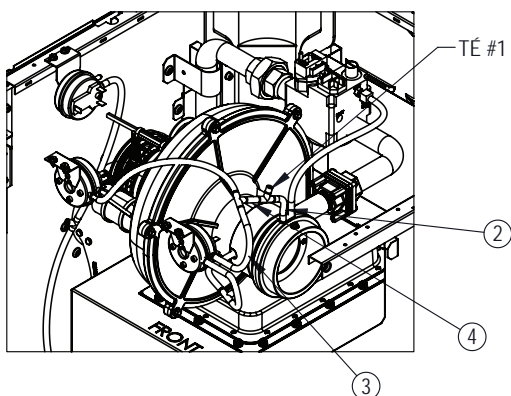
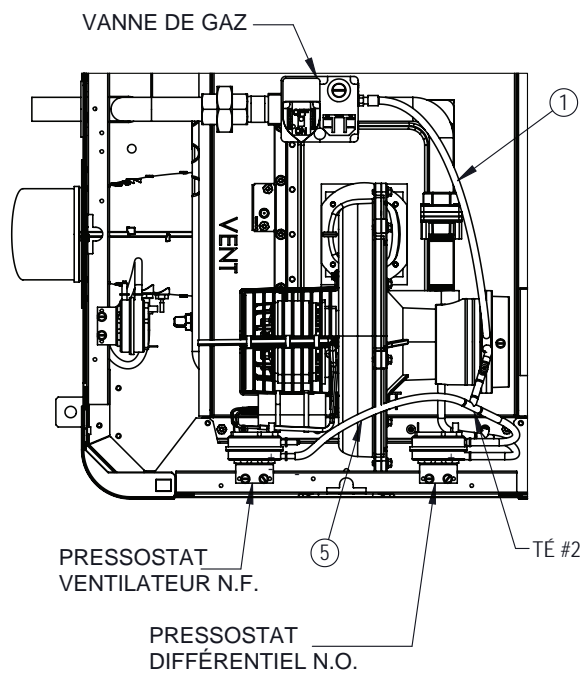
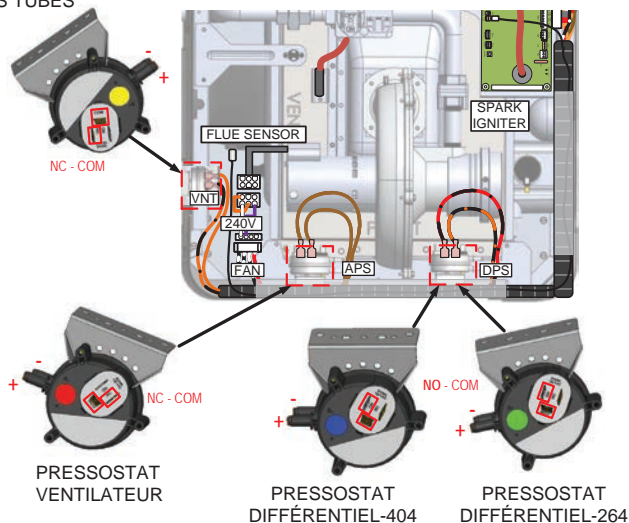


Figure 63. Réglage de pression au distributeur

Pressostats et acheminement des tubes

Consultez l'illustration suivante comme référence pour vous assurer du bon raccordement des pressostats et de leurs tubes.

PRESSOSTATS ET ACHEMINEMENT DES TUBES



# TUBE	ACHEMINEMENT TUBE 1/4 PO	
	À	DE
1	VANNE DE GAZ (ÉVENT)	VENTURI (SUCCION #1)
2	TÉ #1	VENTURI (SUCCION #2)
TÉ #1	TUBE 3 et 4	TUBE #2
3	DIFF (CÔTÉ+)	TÉ #1
4	TÉ #2	TÉ #1
TÉ #2	TUBE 5 et CAP.	TUBE #4
5	VENTILO (CÔTÉ-)	TÉ #2
6	TÉ #3	BLOWER
TÉ #3	TUBE 7 et CAP.	TUBE #6
7	DPS (-SIDE)	TÉ #3
8	VENTILO (CÔTÉ+)	TÉ #4
9	TÉ #4	ÉVACUATION
TÉ #4	TUBE 9 et CAP.	TUBE #8

Retrait de l'orifice

1. Fermez le robinet d'arrêt manuel externe.
2. Desserrez le raccord-union du gaz.
3. Retirez le couvercle de l'appareil.
4. Retirez les quatre boulons et écrous qui maintiennent l'orifice de gaz en place, voir **Figure 64**.
5. Retirez délicatement l'orifice de gaz et n'égarez pas les joints toriques apposés aux brides.
6. Inspectez ou remplacez l'orifice.

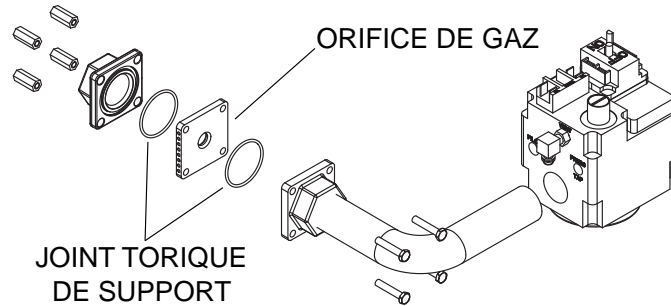


Figure 64. Emplacement de l'orifice

Sélection de l'orifice du gaz

Consultez le **Tableau R** pour sélectionner l'orifice approprié. À noter: le rebord de certains orifices pour gaz propane peut être peint en noir. Il est suggéré d'orienter les encoches vers le haut pour faciliter la détermination du type d'origine.

L'orifice de gaz est situé sur le train de gaz, entre la vanne de gaz et le ventilateur de combustion.

NOTE: les orifices pour le gaz propane ont un fini oxyde noir.

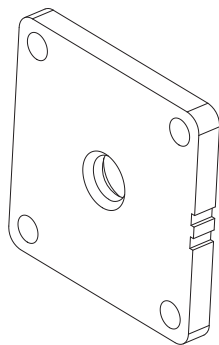


Figure 65. Orifice de gaz

Poches/ encoches	Modèle	Type gaz	Fini
1	264	Naturel	Aucune
2	404		
1	264	Propane	Noir
2	404		

Tableau R. Sélection de l'orifice du gaz

Retrait de l'allumeur.

1. Retirez le couvercle supérieur.
2. Déconnectez le câble de l'allumeur.
3. Utilisez une clé M10 pour retirer les deux écrous retenant l'allumeur.
4. Retirez soigneusement l'allumeur et le joint d'étanchéité.
5. Lors du remplacement de l'allumeur, assurez-vous de réinstaller un joint d'étanchéité neuf.

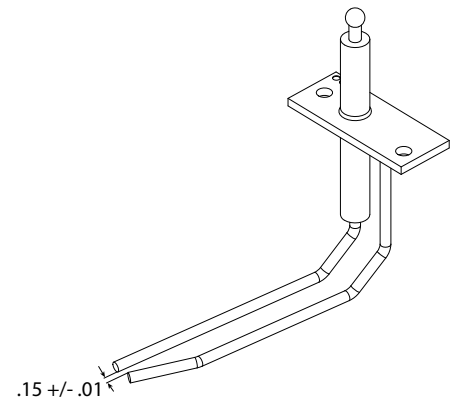


Figure 66. Allumeur

Retrait du brûleur

1. Lire la procédure Retrait du ventilateur de combustion ci-dessous. Il faut retirer le ventilateur pour atteindre le brûleur.
2. Une fois le ventilateur est retiré, utilisez une clé M10 pour enlever les écrous du brûleur.
3. Assurez-vous de réinstaller un joint d'étanchéité neuf lors de la réinstallation du brûleur.

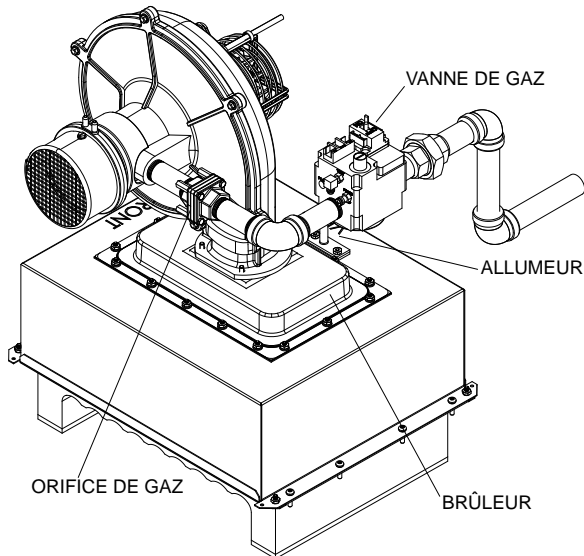


Figure 67. Brûleur/Train à gaz

Retrait du ventilateur de combustion

1. Coupez l'alimentation électrique de l'appareil.
2. Coupez l'alimentation en gaz en amont de l'appareil.
3. Retirez le couvercle supérieur.
4. Déconnectez la conduite de gaz de la vanne de gaz en ouvrant le raccord-union de la conduite d'alimentation en gaz.
5. Déconnectez le connecteur d'alimentation électrique du ventilateur.
6. Déconnectez le câble d'alimentation 24 V de la vanne à gaz.
7. Retirez les tubes d'aspiration du venturi et du ventilateur.
8. Utilisez une clé M10 pour enlever les 4 écrous de la base du ventilateur. Soulevez et retirez le ventilateur.

Retrait de la vanne de gaz

1. Coupez l'alimentation en gaz de l'appareil.
2. Retirez le couvercle supérieur.
3. Ouvrez le raccord-union de la conduite d'alimentation en gaz.
4. Retirez les câbles d'alimentation 24V de la vanne de gaz.
5. Retirez le tub entre la vanne de gaz et le venturi.
6. Utilisez une clé à tuyau pour maintenir l'autre extrémité du train de gaz (tuyau relié au ventilateur), tout en utilisant une autre clé à tuyau pour faire pivoter la vanne de gaz dans le sens antihoraire et la retirer. Il est aussi possible de retirer la bride d'orifice de gaz pour accéder à la vanne de gaz.

Retrait de l'échangeur de chaleur

1. Coupez l'alimentation en eau, gaz et électricité de l'appareil. Libérez la pression dans les conduites d'eau. Ensuite, retirez les conduites d'eau de l'appareil.

2. Retirez le couvercle supérieur. Déconnectez les fils d'alimentation de l'interrupteur à bascule, qui provient de l'interface-utilisateur. Mettez le couvercle de côté. Il est plus facile de travailler sur l'appareil lorsque le couvercle est totalement enlevé, non obligatoire.
3. Effectuez la procédure Retrait du ventilateur de combustion.
4. Utilisez un tournevis Philips pour enlever les vis de tous les panneaux externes.
5. Utilisez un tournevis à tête Philips pour enlever les 8 vis à tôle de la chambre de combustion (il y en a 4 de chaque côté), et les 2 pièces de tôle qui maintiennent la chambre de combustion sur les panneaux latéraux.
6. Soulevez délicatement la chambre de combustion supérieure de la base et retirez-la de l'appareil.
7. Utilisez une clé de 1/2 po pour retirer les 8 écrous des supports latéraux qui maintiennent l'échangeur de chaleur sur la base (2 écrous par support).
8. Utilisez une clé à molette pour retirer les (2) capteurs de température situés sur le côté du distributeur d'entrée/sortie.
9. Retirez les 4 fils connectés aux limiteurs de température.
10. Soulevez l'échangeur de chaleur et retirez-le de l'appareil.

Nettoyage de la tubulure interne

Établissez une routine d'inspection périodique, en fonction de la qualité de l'eau et de l'intensité d'utilisation. Il s'agit d'éviter l'encrassement des tubulures internes; nettoyez les dépôts de plus de 1/16 po (1,6 mm) d'épaisseur.

Il est possible de nettoyer l'appareil depuis le raccord de retour du distributeur d'entrée/sortie. Il est toutefois préférable d'ouvrir les deux raccords pour obtenir un meilleur accès à la tubulure interne et éviter la dispersion du tartre dans le système.

Après la première passe de nettoyage, montez la brosse métallique et nettoyez tout débris restant dans les tubes.

Une autre méthode consiste à enlever l'échangeur de chaleur, nettoyer les tubes et à immerger l'échangeur de chaleur dans une solution de détartrage non inhibée.



Figure 68. Kit de nettoyage du tartre (#052871F)

Procédure de ramonage

⚠ AVERTISSEMENT: la suie est combustible. Procédez avec précaution.

La suie peut obstruer les ailettes et provoquer une surchauffe et causer une défaillance des tubulures internes. La présence de suie à la base des brûleurs ou autour des panneaux externes signale un besoin de nettoyage.

1. Retirez l'échangeur de chaleur comme indiqué dans la section "Retrait de l'échangeur de chaleur".
2. On retrouve sur les parois ou le fond de l'échangeur de chaleur (varie selon le modèle) un déflecteur qui doit être enlevé.
3. Retirez l'échangeur de chaleur de l'appareil et rincez-le avec un boyau d'arrosage, en veillant à éliminer la suie entre les ailettes.
4. Inversez la procédure de retrait de l'échangeur de chaleur pour réinstaller.

NOTE: dans les cas d'extrême encrassement, il peut être nécessaire de nettoyer l'échangeur à la vapeur sous pression. NE PAS UTILISER DE BROSSE MÉTALLIQUE.

Réinstallation de l'échangeur de chaleur

Assurez-vous que le matériau réfractaire de la chambre de combustion supérieure est bien positionné lors de la réinstallation de l'échangeur de chaleur. Une négligence à cet effet risque d'endommager l'appareil et de causer des conditions de fonctionnement potentiellement dangereuses, voir **Figure 69**.

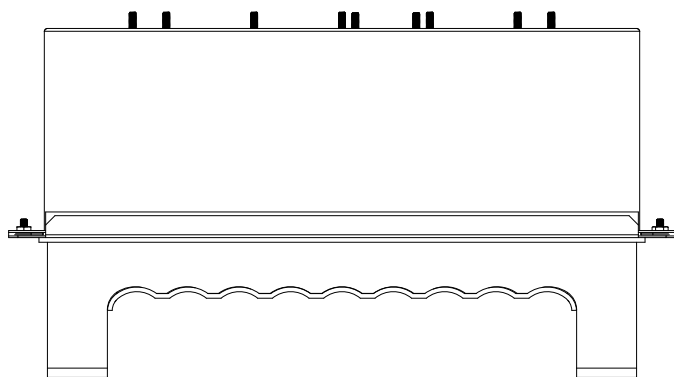


Figure 69. Chambre de combustion supérieure

Remplacement du régulateur Unitherm

1. Coupez l'alimentation en eau, en gaz et en électricité, fermez les vannes et libérez la pression du système.
2. Drainez l'échangeur de chaleur.
3. Retirez le bouchon de drainage situé à côté du raccord de sortie.
4. Retirez l'ancien régulateur pour retirer le bouchon de vidange. Insérez le nouveau régulateur.

5. Réinstallez le bouchon de vidange, en prenant soin de lubrifier le joint d'étanchéité avec une graisse non pétrolière, ex.: AquaLube.

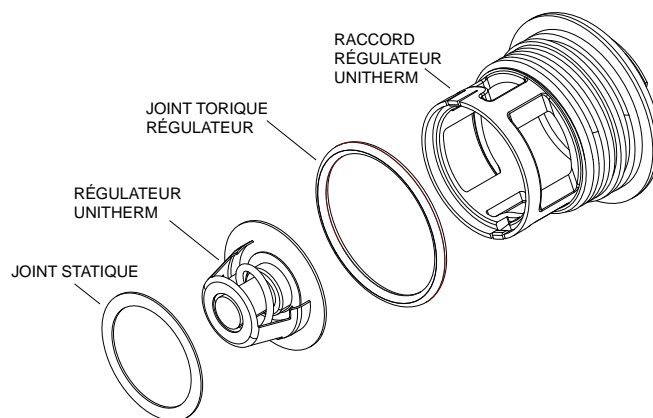


Figure 70. Régulateur Unitherm

Pour vérifier le bon fonctionnement du régulateur Unitherm, placez-le dans de l'eau chaude à plus de 49°C (120 °F) et surveillez le mouvement du ressort. S'il n'y a aucun mouvement, remplacez-le.

⚠ AVERTISSEMENT: lors du retrait du brûleur ou de l'échangeur de chaleur, évitez de soulever de la poussière et d'inhaler d'éventuelles fibres en suspension dans l'air. Pour balayer un dégât, utilisez un balai humide ou un aspirateur muni d'un filtre à haute efficacité (HEPA) pour minimiser la mise en suspension de poussière dans l'air. Utilisez des techniques de contrôle de la poussière, comme l'utilisation d'un ventilateur d'extraction dans la pièce ou d'un système de collecte de la poussière pour minimiser la mise en suspension de poussière. Portez un équipement de protection individuelle approprié, y compris des gants, des lunettes de sécurité à protecteurs latéraux et une protection respiratoire certifiée NIOSH appropriée, afin d'éviter l'inhalation de poussière et de particules de fibres en suspension dans l'air.

8. INSTRUCTIONS D'UTILISATION

Avant la mise en marche

Brûleurs

Assurez-vous que les lieux d'installation de l'appareil sont exempts de matières combustibles, de liquides inflammables et de produits chimiques. NE PAS restreindre l'apport d'air comburant ou de ventilation.

Alimentation en eau

L'eau doit circuler à travers l'appareil pendant son fonctionnement. Assurez-vous que le système est rempli d'eau et que la pompe fonctionne. Le débit minimal assurant le bon fonctionnement de l'appareil est de 40 GPM (151 lpm).

Procédure de mise en marche

Cet appareil a été conçu pour chauffer de façon sûre et fiable l'eau de votre piscine/spa pendant de nombreuses années. Il est équipé d'un système d'allumage électronique. Ce manuel fournit des informations sur l'installation, le fonctionnement, l'entretien et la réparation de cet appareil.

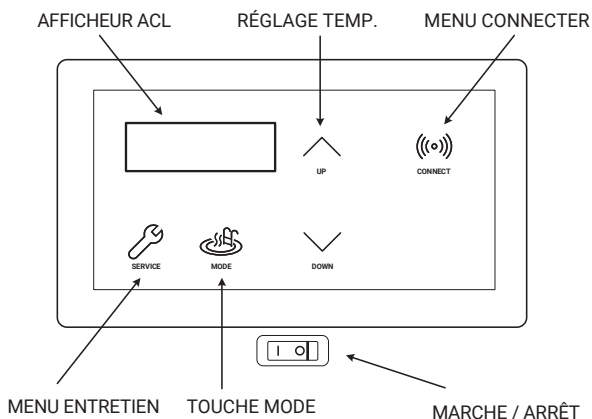


Figure 71. Interrupteur de l'appareil

Si l'appareil est correctement installé, il est très facile de le faire fonctionner. On retrouve au haut du panneau avant une interface de commande qui permet d'allumer ou d'éteindre l'appareil et de sélectionner les paramètres de fonctionnement de la piscine ou du spa. La plage de réglage de la température est définie en usine entre 65°F (18°C) et 104°F (40°C). Voir **Figure 71** pour connaître l'emplacement de l'interrupteur de mise en marche et d'arrêt de l'appareil.

Reportez-vous à la section **Module de commande** de la page 27 pour plus de détails sur son utilisation et ses réglages.

Après la mise en marche

Touchez aux tuyaux d'entrée et de sortie d'eau. Le tuyau de sortie doit être légèrement plus chaud que le tuyau d'entrée. Il ne devrait PAS être chaud au toucher.

⚠ AVERTISSEMENT: en cas de surchauffe ou si l'alimentation en gaz ne se referme pas automatiquement, fermez le robinet d'arrêt manuel situé sur la canalisation d'alimentation en gaz du chauffe-eau.

⚠ AVERTISSEMENT: en cas de surchauffe ou si l'alimentation en gaz n'est pas coupée, fermez le robinet d'arrêt manuel de la conduite d'alimentation en gaz.

Détecteur de pression d'eau

Cet appareil est équipé d'un détecteur de pression permettant d'éteindre les brûleurs en cas d'interruption de l'alimentation en eau. Il est très important de s'assurer que ce détecteur puisse activer ou désactiver la vanne de gaz en fonction du débit qui traverse l'appareil. Un débit insuffisant risque de rapidement et irrémédiablement endommager l'appareil.

Le bon fonctionnement du détecteur de pression d'eau doit être vérifié et réglé par un technicien d'entretien qualifié lors de l'installation et périodiquement par la suite. Reportez-vous à "**Réglage du détecteur de pression d'eau**" à la page 38.

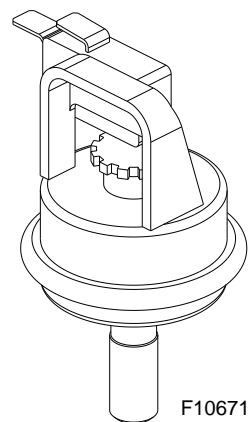


Figure 72. Détecteur de pression d'eau

⚠ AVERTISSEMENT: le fonctionnement de l'appareil en l'absence de circulation d'eau lui causera des dommages rapides et graves, qui ne sont pas couverts par la garantie.

INSTRUCTIONS D'UTILISATION ET D'ARRÊT - SYSTÈMES À ALLUMAGE DIRECT

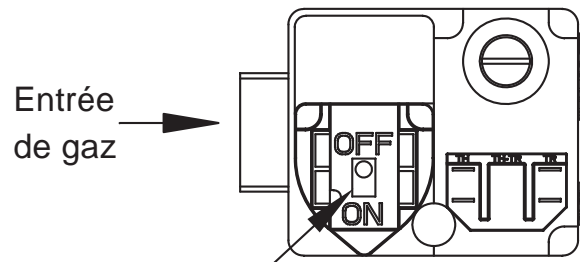
POUR VOTRE SÉCURITÉ, LISEZ AVANT DE METTRE EN MARCHÉ

⚠ AVERTISSEMENT: tout manquement aux présentes directives peut causer un incendie ou une explosion résultant en des dommages matériels, des blessures ou la mort.

- A. Cet appareil n'est pas équipé d'une veilleuse. Le brûleur est plutôt muni d'un dispositif d'allumage automatique. **NE PAS** tenter d'allumer le brûleur manuellement.
- B. **AVANT LA MISE EN MARCHÉ**, humez tout autour de l'appareil afin de déceler une éventuelle odeur de gaz. Sentez aussi près du sol, car certains gaz sont plus lourds que l'air et s'y accumulent.
- WHAT TO DO IF YOU SMELL GAS:
- Do not try to light any appliance.
 - Ne pas toucher à aucun interrupteur; ne pas se servir des téléphones se trouvant dans le bâtiment.
 - Immediately call your gas supplier from a neighbor's phone. Follow the gas supplier's instructions.
- If you cannot reach your gas supplier, call the fire department.
- C. Servez-vous uniquement de vos mains pour faire tourner le bouton de réglage du gaz, n'utilisez jamais d'outils. Si vous n'arrivez pas à le faire tourner à la main, ne tentez pas de le réparer; appelez un technicien d'entretien qualifié. Si vous le forcez ou tentez de le réparer, il a risque d'explosion ou d'incendie.
- D. N'utilisez pas cet appareil même s'il n'a été que partiellement submergé dans l'eau. Appelez immédiatement un technicien d'entretien qualifié afin qu'il inspecte le chauffe-eau et remplace toute composante ayant été plongée dans l'eau.

INSTRUCTIONS D'ALLUMAGE

1. **ARRÊTEZ!** Lisez les directives de sécurité au haut de cette étiquette.
2. Réglez le thermostat à son plus bas point de consigne.
3. Coupez l'alimentation électrique de l'appareil.
4. Cet appareil n'est pas équipé d'une veilleuse. Le brûleur est plutôt muni d'un dispositif d'allumage automatique. **Ne tentez pas d'allumer le brûleur manuellement.**
5. Retirez le panneau supérieur de l'appareil.
6. Poussez sur l'interrupteur vers l'intérieur de l'appareil pour couper le gaz.
7. 5. Attendez cinq minutes afin de laisser se dissiper tout gaz ayant pu s'accumuler. Puis sentez pour tenter de détecter une odeur de gaz, y compris près du sol. Si vous détectez une odeur de gaz, **ARRÊTEZ!** Suivez la directive de sécurité "B" au haut de cette étiquette. Si vous ne détectez pas une odeur de gaz, passez à l'étape suivante.
8. Déplacez l'interrupteur vers vous pour ouvrir le gaz.
9. Remplacez le panneau de l'appareil.
10. Réalimentez le chauffe-eau en électricité.
11. Réglez le thermostat à la température requise.
12. Si l'appareil ne se met pas en marche, suivez la directive "Couper l'alimentation en gaz de l'appareil" ci-dessous et appelez un technicien d'entretien qualifié ou le fournisseur du gaz.



Bouton de réglage du gaz
à la position "OFF" (Arrêt)

COUPER L'ALIMENTATION EN GAZ DE L'APPAREIL

1. Réglez le thermostat à son plus bas point de consigne.
2. Coupez l'alimentation électrique de l'appareil lors de tout entretien.
3. Retirez le panneau supérieur de l'appareil.
4. Poussez sur l'interrupteur vers l'intérieur de l'appareil pour couper le gaz.
5. Remplacez le panneau de l'appareil.

**INSTRUCTIONS D'UTILISATION ET D'ARRÊT - SYSTÈMES À ALLUMAGE DIRECT
MODÈLES NUMÉRIQUES À ALLUMAGE ÉLECTRONIQUE
SYSTÈME À ALLUMAGE DIRECT**

POUR VOTRE SÉCURITÉ, LISEZ AVANT DE METTRE EN MARCHÉ

AVERTISSEMENT: tout manquement aux présentes directives peut causer un incendie ou une explosion résultant en des dommages matériels, des blessures ou la mort.

A. Cet appareil n'est pas équipé d'une veilleuse. Le brûleur est plutôt muni d'un dispositif d'allumage automatique. Ne pas tenter d'allumer le brûleur manuellement.

B. AVANT LA MISE EN MARCHÉ, humez tout autour de l'appareil afin de déceler une éventuelle odeur de gaz. Sentez aussi près du sol, car certains gaz sont plus lourds que l'air et s'y accumulent.

SI VOUS DÉTECTEZ UNE ODEUR DE GAZ:

- Ne mettez aucun appareil en marche. Ne pas toucher à aucun interrupteur; ne pas se servir des téléphones se trouvant dans le bâtiment.
- Appelez immédiatement votre fournisseur de

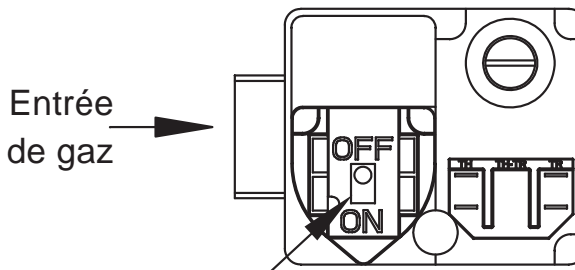
service du gaz de chez un voisin et suivez ses directives.

- Si vous ne pouvez communiquer avec votre fournisseur de gaz, appelez le Service des incendies.
- C. Servez-vous uniquement de vos mains pour faire tourner le bouton de réglage du gaz, n'utilisez jamais d'outils. Si vous n'arrivez pas à le faire tourner à la main, ne tentez pas de le réparer; appelez un technicien d'entretien qualifié. Si vous le forcez ou tentez de le réparer, il a risque d'explosion ou d'incendie.
- D. N'utilisez pas cet appareil même s'il n'a été que partiellement submergé dans l'eau. Appelez immédiatement un technicien d'entretien qualifié afin qu'il inspecte le chauffe-eau et remplace toute composante ayant été plongée dans l'eau.

INSTRUCTIONS D'ALLUMAGE

1. ARRÊTEZ! Lisez les directives de sécurité au haut de cette étiquette.
2. Réglez le thermostat à son plus bas point de consigne.
3. Coupez l'alimentation électrique de l'appareil.
4. Cet appareil n'est pas équipé d'une veilleuse. Le brûleur est plutôt muni d'un dispositif d'allumage automatique. Ne tentez pas d'allumer le brûleur manuellement.
5. Retirez le panneau supérieur de l'appareil.
6. Poussez sur l'interrupteur vers l'intérieur de l'appareil pour couper le gaz.
7. Attendez cinq minutes afin de laisser se dissiper tout gaz ayant pu s'accumuler. Puis sentez pour tenter de détecter une odeur de gaz, y compris près du sol. Si vous détectez une odeur de gaz, ARRÊTEZ! Suivez la directive de sécurité "B" au haut de cette étiquette. Si vous ne détectez pas une odeur de gaz, passez à l'étape suivante.
8. Déplacez l'interrupteur vers vous pour ouvrir le gaz.

9. Remplacez le panneau de l'appareil.
10. Réalimentez l'appareil en électricité.
11. Réglez le thermostat à la température requise.
12. Si l'appareil ne se met pas en marche, suivez la directive "Couper l'alimentation en gaz de l'appareil" ci-dessous et appelez un technicien d'entretien qualifié ou le fournisseur du gaz.



**Bouton de réglage du gaz
à la position "OFF" (Arrêt)**

COUPER L'ALIMENTATION EN GAZ DE L'APPAREIL

1. Réglez le thermostat à son plus bas point de consigne.
2. Coupez l'alimentation électrique de l'appareil lors de tout entretien.
3. Retirez le panneau supérieur de l'appareil.
4. Poussez sur l'interrupteur vers l'intérieur de l'appareil pour couper le gaz.
5. Remplacez le panneau de l'appareil.

9. MAINTENANCE ET ENTRETIEN

⚠ AVERTISSEMENT: inspectez l'appareil pour détecter d'éventuels nids de rongeurs après de longues périodes d'inutilisation.

Effectuez les opérations de maintenance suivantes un an après le démarrage initial, puis aux six mois par la suite.

1. Inspecter et faites fonctionner toutes les commandes, la vanne de gaz et la soupape de surpression (si équipé).
2. Dans le cas d'une installation intérieure, dégagez toutes les ouvertures d'admission d'air pour assurer un apport adéquat d'air comburant et de ventilation.

⚠ ATTENTION: l'air comburant ne doit pas être contaminé par des vapeurs corrosives pouvant causer à l'appareil des dommages non couverts par la garantie. De tels dommages ne sont pas couverts par la garantie.

3. Les environs de l'appareil doivent être libres de tout matériau combustible, d'essence, ainsi que de liquides et vapeurs inflammables.

Si l'appareil ne s'allume pas:

Si l'appareil n'est pas alimenté en électricité, il se peut que le disjoncteur du circuit se soit déclenché. Tentez de le réenclencher.

Si l'appareil est alimenté en électricité, mais qu'il ne se met pas en marche, vérifiez les éléments suivants ou consultez "**Guide de dépannage**" à la page 48:

1. La minuterie doit être active.
2. La crépine de la pompe de filtration peut être pleine. Le cas échéant, retirez les débris.
3. Le filtre peut être encrassé. Le cas échéant, effectuez un lavage à contre-courant (backwash). Pour savoir si le filtre est sale, vérifiez si la pression du filtre est plus élevée que d'habitude.
4. La pompe peut s'être désamorçé et tourner à sec. Vérifiez la pression au filtre. S'il n'y a pas de pression, le débit est inexistant ou le manomètre est défectueux. Tentez de faire fonctionner la pompe à son débit normal.

Utilisation par temps froid

Renseignements importants à propos du gel

CLIMAT TEMPÉRÉ: laissez l'appareil fonctionner pendant un court épisode de temps froid. Lorsque la température est comprises entre 0°F (-18°C) et 32°F (0°C), laissez la pompe fonctionner.

⚠ ATTENTION: ne pas utiliser l'appareil pour maintenir la température de l'eau juste au-dessus du point de congélation ou pour la protection contre le gel. Lorsque l'appareil est utilisé pendant le temps glacial, il ne doit jamais geler. Pour ce faire, laissez la pompe tourner en continu. Des mesures de protection supplémentaire peuvent être requises. L'appareil n'est pas garanti contre les dommages causés par le gel.

CLIMAT FROID: un fonctionnement prolongé à une température d'eau inférieure à 50°F (10°C) n'est pas recommandé. Si vous faites démarre l'appareil à une température d'eau inférieure à 50°F (10°C), faites fonctionner l'appareil en continu jusqu'à l'atteinte d'une température supérieure à cette valeur. L'utilisation prolongée de l'appareil lorsque la température de l'eau est inférieure à 50°F (10°C) peut sérieusement l'endommager l'appareil. De tels dommages ne sont pas couverts par la garantie. Pour les zones à climat froid, veuillez suivre les procédures d'hivernage décrites ci-dessous.

Hivernage de l'appareil

Les appareils installés à l'extérieur dans les régions à climat glacial doivent être fermés pour l'hiver. Procédure d'hivernage de l'appareil:

1. Fermez la vanne à gaz, le robinet d'arrêt manuel et l'alimentation électrique de l'appareil.
2. Fermez les vannes d'isolement (conduites d'eau) pour isoler l'appareil. Retirez le panneau d'accès inférieur droit pour atteindre le côté droit du distributeur d'entrée/sortie. Le drain est situé sous le distributeur d'entrée/sortie. Desserrez et retirez le bouchon de vidange, voir **Figure 73**.

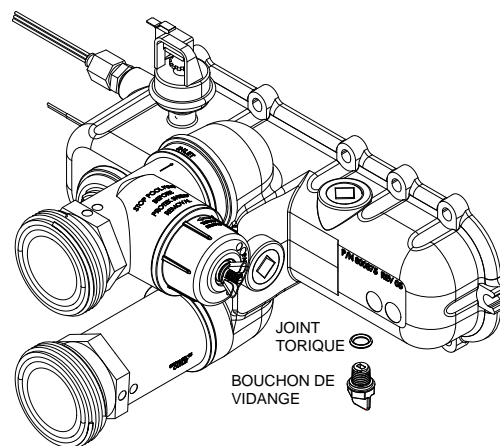


Figure 73. Distributeur d'entrée/sortie avec bouchon de vidange.

10. GUIDE DE DÉPANNAGE

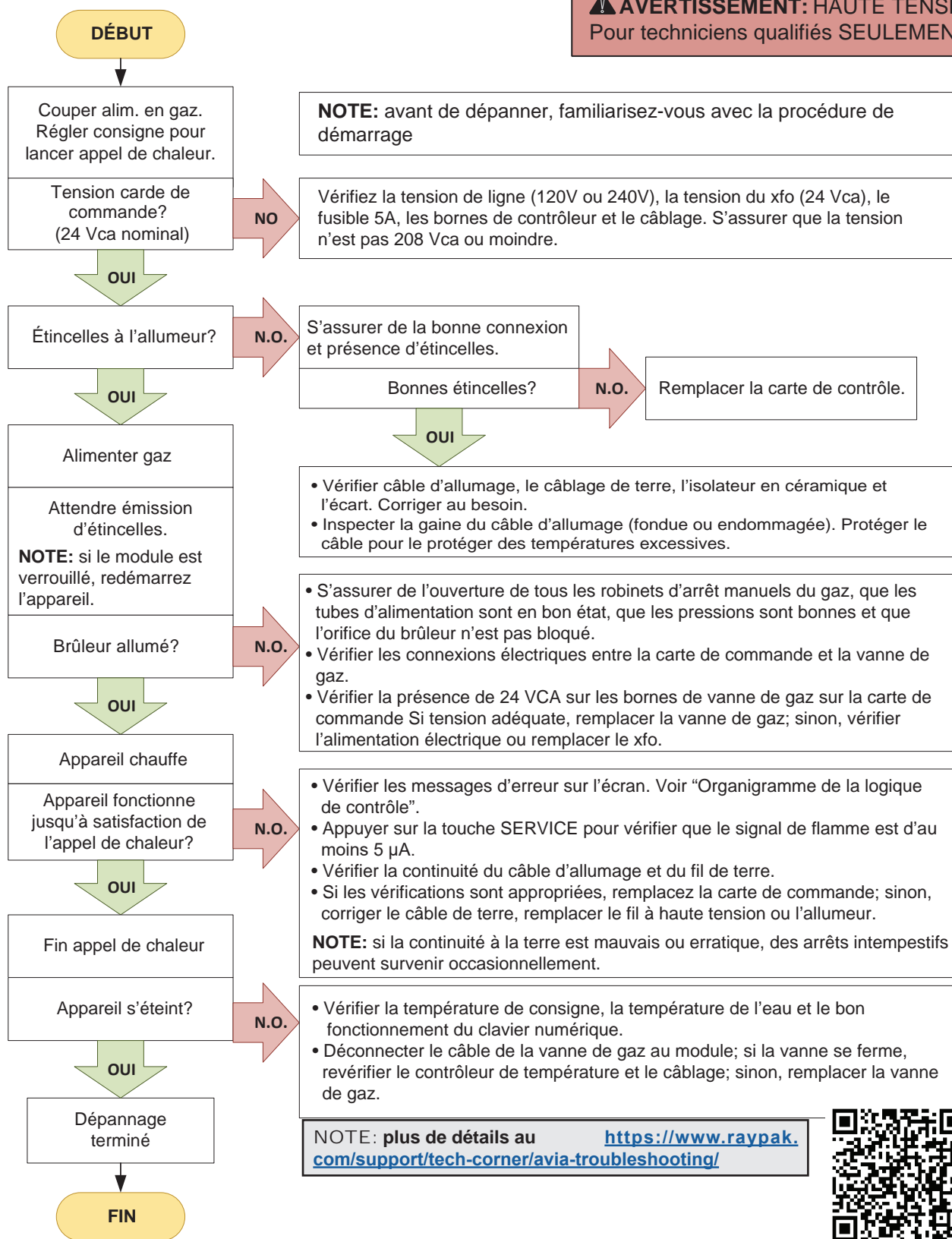
NOTE :IMPORTANTE: les présentes instructions sont destinées à des personnes qualifiées, spécialement formées et expérimentées dans l'installation et l'entretien de ce type d'appareil et de ses composants connexes. Dans certaines régions, les techniciens d'entretien pour ce type d'équipement doivent détenir une licence. Les personnes non qualifiées ne doivent pas tenter de réparer l'appareil ni d'effectuer les réparations décrites au présent manuel.

Problème	Cause possible	Mesures correctives
Interface-utilisateur clignote ou vide	Tension faible ou nulle à la carte de commande.....	S'assurer de la présence de 24 Vca au connecteur P6 de la carte de commande. S'assurer que le transformateur produit 240 V ou 120 V.
Harmoniques ou scintillement	Régulateur Unitherm ne fonctionne pas..... *Débris ou restriction dans le système *Débris dans la conduite de gaz..... Débit insuffisant	Vérifier fonctionnement en le plongeant dans l'eau chaude >120°F (49°C) Localiser et éliminer la restriction. Rincer et nettoyer système. Éliminer les débris (souffler dans la conduite). Tartre dans l'échangeur de chaleur: nettoyer l'échangeur, vérifier le pH et l'alcalinité totale.
Appareil s'allume et s'éteint à répétition	Filtre sale Faible niveau d'eau Dérèglement vanne de dérivation externe..... Détecteur de pression d'eau déréglé.....	Nettoyer ou remplacer filtre. Ajouter de l'eau. Régler la vanne de dérivation. Régler le détecteur de pression d'eau.
Accumulation de tartre dans l'échangeur	Qualité de l'eau..... Dérivation d'eau excessive..... Régulateur Unitherm ne fonctionne pas.....	Voir Paramètres d'eau, p. 5 Inspecter la vanne de dérivation; si bloquée, remplacer. Remplacer si ne s'allonge pas lorsque chauffé.
Formation de suie	Débit élevé..... Régulateur Unitherm ne fonctionne pas..... *Manque d'air *Mauvaise ventilation..... *Insectes ou débris obstruant les ports d'admission du brûleur	Réduire en ajoutant une vanne de dérivation manuelle. Régler la vanne de dérivation manuelle jusqu'à ce que la température de l'eau de sortie soit comprise entre 105°F et 120°F (40°C et 49°C). Vérifier fonctionnement en le plongeant dans l'eau chaude >120°F (49°C) Si ne s'allonge pas, remplacer. Lire instructions d'installation. Lire instructions d'installation. Nettoyer les brûleurs
Brûleur éteint ou signal de flamme inférieure à 2 µA	Faible pression de gaz Allumeur endommagé ou encrassé.....	Régler la pression du gaz Nettoyer l'allumeur et les brûleurs
Chauffage d'eau trop lent	Appareil sous-dimensionné Système ne fonctionne pas suffisamment..... Filtre sale Alimentation en gaz insuffisante.....	Calculer la capacité de l'appareil: $\frac{\text{Puissance (BTU/h)}}{\text{Volume d'eau} \times 8,33} = \text{hausse approx. degF/h}$ ou consulter tableau de dimensionnement Ne considère pas perte de chaleur dans l'atmosphère Allonger la minuterie. Nettoyer le filtre. Lire instructions d'installation, voir 18page .
Fuites à l'échangeur de chaleur	Exposition excessive aux acides.....	Remplacer l'échangeur de chaleur et ajuster les paramètres d'eau.
Joint ébréché et fuit - (surchauffe)	Appareil fonctionne après l'arrêt de la pompe. Enduit réfractaire endommagé Appareil encrassé par la suie	Voir Réglage du détecteur de pression d'eau, à la page 38 . Remplacer les panneaux réfractaires Déterminer l'origine de la suie et corriger
Ventilateur ne tourne pas, message: "Diff Sw Open" ou "Fan Lockout"	Cavalier de ventilateur mal positionné..... Relais ventilateur..... Connexion du ventilateur.....	S'assurer que la position du cavalier du ventilateur correspond à l'alimentation de 240 V ou 120 V. Sur la carte de commande, vérifier les terminaux « Power » et « Blower » du relais du ventilateur. Si le relais est bloqué en position ouverte ou fermée, remplacer la carte de commande. Connexion lâche ou moteur défectueux. L'alimentation du ventilateur à la mauvaise tension risque fortement de l'endommager.

*Symptôme habituellement détecté au démarrage initial.

Organigramme de fonctionnement et de dépannage

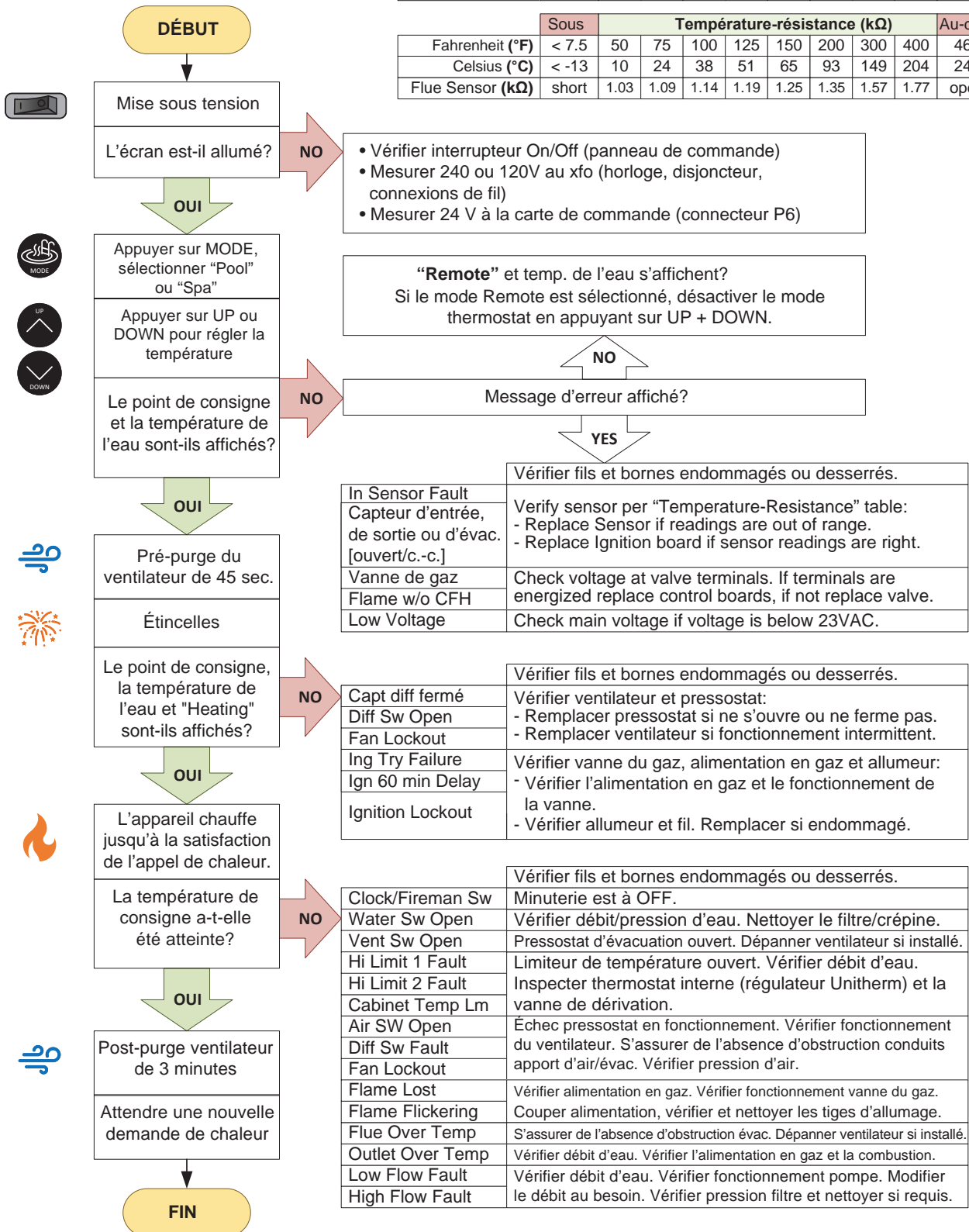
⚠ AVERTISSEMENT: HAUTE TENSION
Pour techniciens qualifiés SEULEMENT



Organigramme de la logique de contrôle

	Sous	Température-résistance (kΩ)									Au-delà
Fahrenheit (°F)	6.3	40	50	60	70	80	90	100	110	187	
Celsius (°C)	-14	4	10	15	21	27	32	38	43	86	
Sonde Entrée (kΩ)	open	261	199	153	119	93	73	58	46	short	
Sonde Sortie (kΩ)	open	26	20	15	12	9.3	7.3	5.8	4.6	short	

	Sous	Température-résistance (kΩ)									Au-delà
Fahrenheit (°F)	< 7.5	50	75	100	125	150	200	300	400	464	
Celsius (°C)	< -13	10	24	38	51	65	93	149	204	240	
Flue Sensor (kΩ)	short	1.03	1.09	1.14	1.19	1.25	1.35	1.57	1.77	open	



11. CONNECTIVITÉ WI-FI

RAYMOTE

Avant de lancer la configuration, assurez-vous de la présence d'un point d'accès Wi-Fi fiable à proximité de l'appareil et que vous en connaissez le mot de passe.

Date: _____
Nom réseau Wi-Fi (SSID): _____
Mot de passe Wi-Fi: _____

Enregistrement d'utilisateur Raymote

Inscrivez-vous depuis votre appareil mobile avec l'application Raymote. Entrez votre adresse courriel pour créer un nouveau compte. Vous recevrez un courriel de confirmation, voir **Figure 74**.

NOTE: vérifiez votre courrier indésirable si vous ne recevez pas le courriel dans les 5 minutes.

Entrez votre adresse courriel Raymote, puis créez un mot de passe sécurisé, voir **Figure 75**.

Une fois l'enregistrement de l'utilisateur effectué, commencez à ajouter vos appareils de chauffage AVIA via l'application mobile Raymote, voir **Figure 80**.

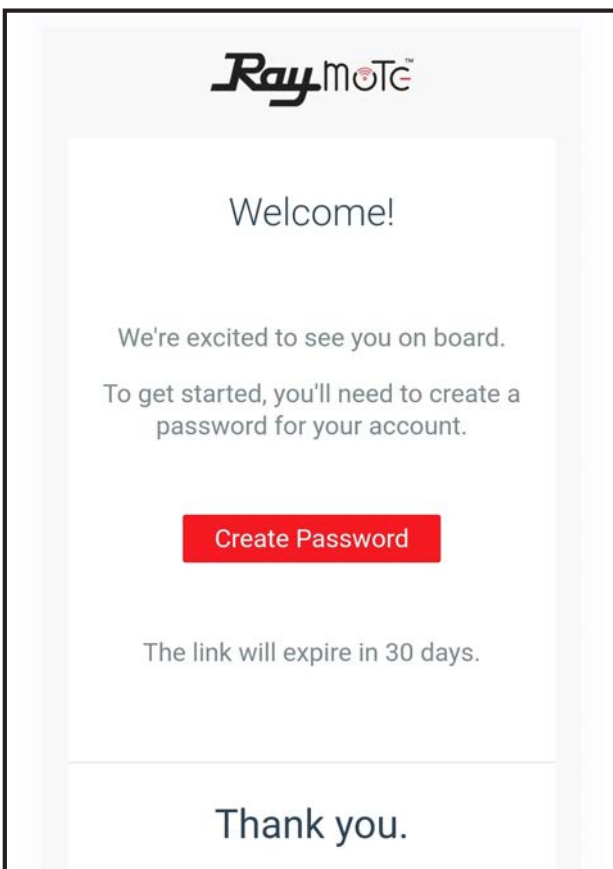


Figure 74. Écran d'accueil Raypak

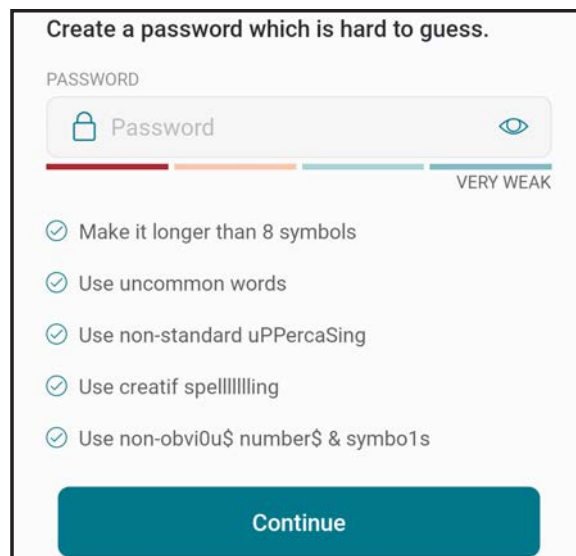


Figure 75. Créer mot de passe

Télécharger l'appli mobile Raymote

1. Téléchargez et installez l'application mobile Raymote depuis Google Play ([Android](#)) ou App Store ([iOS](#)) sur votre appareil mobile.
2. Trouvez l'icône de l'application mobile Raymote sur votre appareil, voir **Figure 76**.

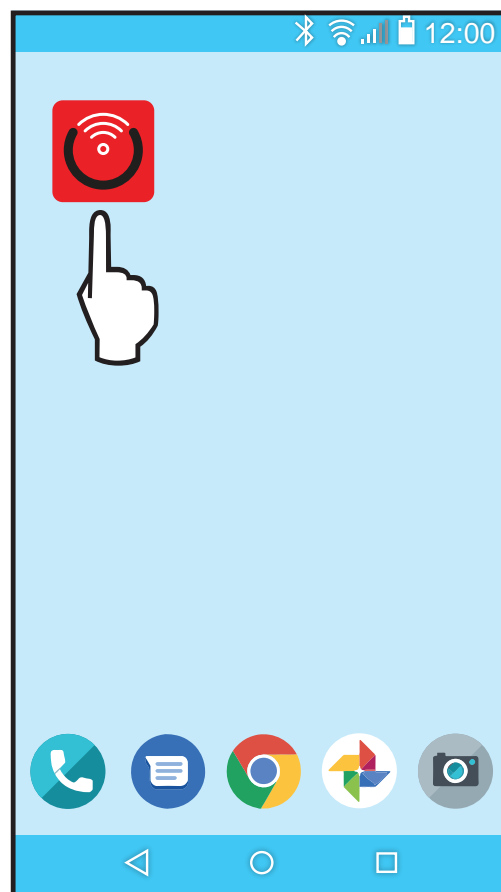


Figure 76. Localisez l'icône de l'appli mobile Raymote

- Ouvrez l'appli mobile Raymote et connectez-vous avec votre nom d'utilisateur et votre mot de passe, voir **Figure 77**.

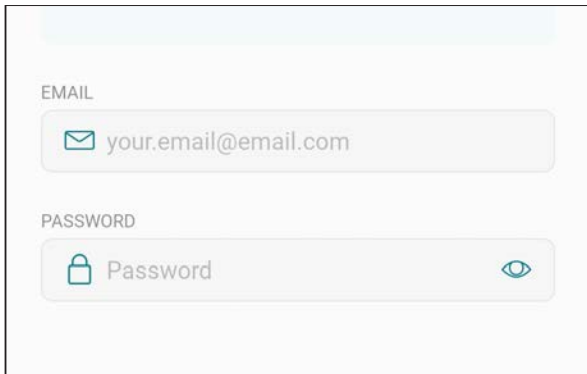


Figure 77. Connexion à l'appli mobile Raymote

Connecter un appareil au réseau Raymote

- Dans l'application Raymote, appuyez sur le bouton de menu ☰ situé dans le coin supérieur gauche de l'écran, puis appuyez sur "+ Add new device", voir **Figure 80**.

Préparatifs avant la connexion

- Tenez-vous près de l'affichage de l'appareil AVIA. Appuyez sur la touche CONNECT, voir **Figure 78**.



Figure 78. Touche CONNECT

- Le menu CONNECT affiche l'état de l'interface Wi-Fi, indiquant "Ready to Config", ainsi que l'identifiant du réseau, voir **Figure 79**.



Figure 79. Wi-Fi prêt à être configuré et identifiant du réseau

3. Votre appareil est prêt à être connecté.

NOTE: les sections suivantes incluent les instructions pour Android et iPhone.

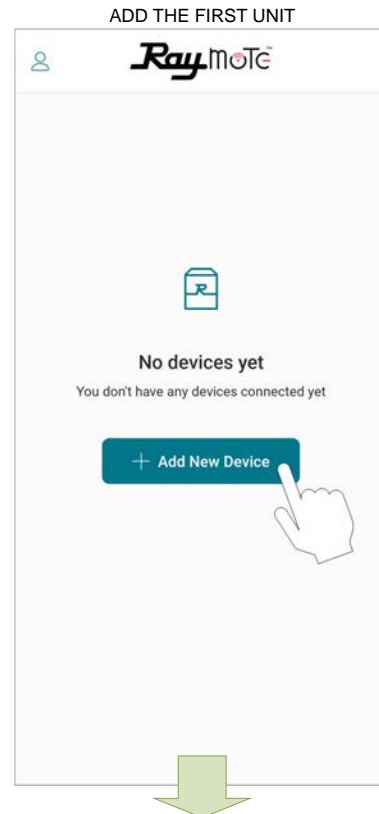


Figure 80. Ajouter un dispositif mobile

LORS de la première installation sur un téléphone, l'appli mobile Raymote demande d'autoriser l'accès aux données, voir Figure 81.

2. L'écran "Check your Device" s'affiche. Assurez-vous que l'appareil AVIA est sous tension et que le signal Wi-Fi est présent, puis appuyez sur le bouton "START", voir Figure 82.

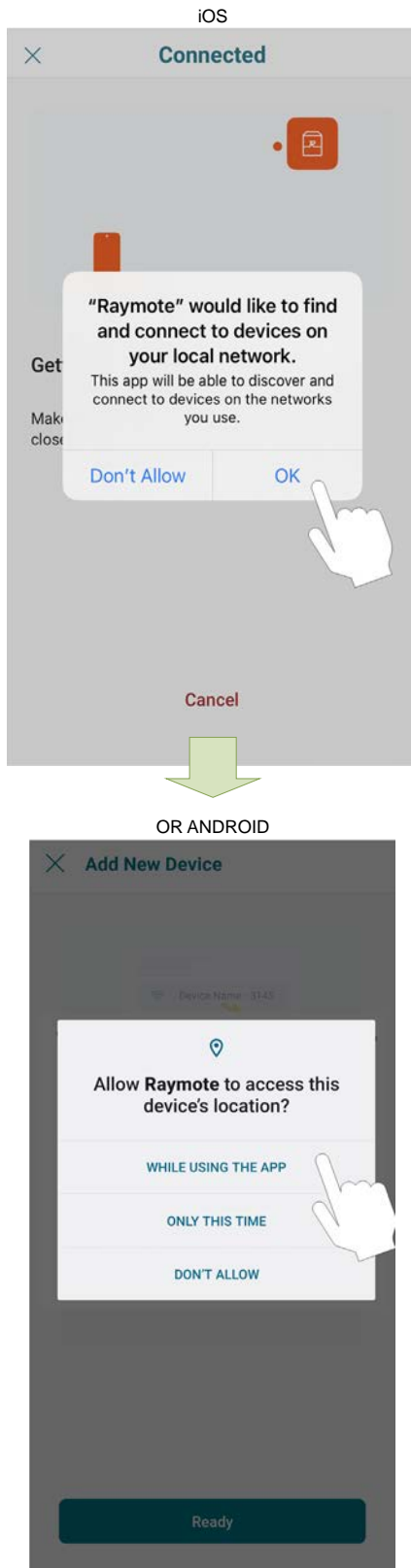


Figure 81. Accorder permissions

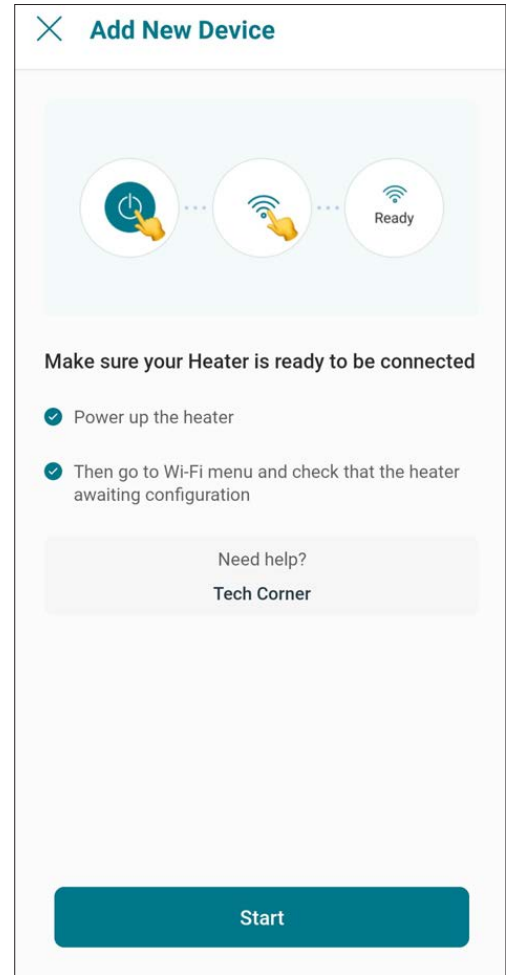


Figure 82. Écran de vérification

3. **Sous Android:** selon l'état de votre configuration actuelle, un ou plusieurs appareils s'affichent sur l'écran de l'appli. Sélectionnez le réseau sans fil auquel vous souhaitez l'associer, comme illustré à la **Figure 83**.

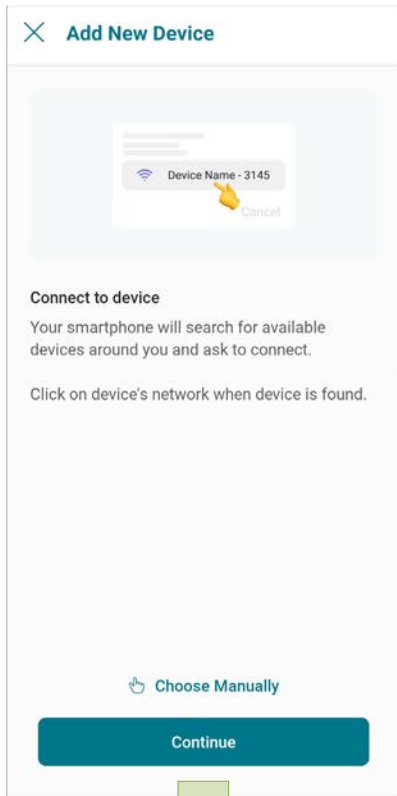


Figure 83. Connecter un téléphone Android

4. **iPhone:** l'application Raymote recherche les appareils à proximité. Si plusieurs unités sont prêtes à être connectées, placez-vous près de celui que vous souhaitez connecter en premier. Sélectionnez l'appareil que vous souhaitez connecter au réseau sans fil puis appuyez sur Join (Rejoindre) ou sur Annuler (Cancel) pour sélectionner au autre appareil, voir **Figure 84**.

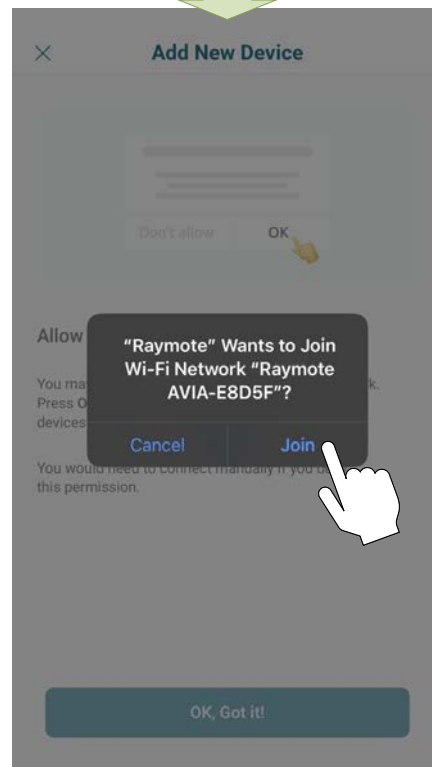
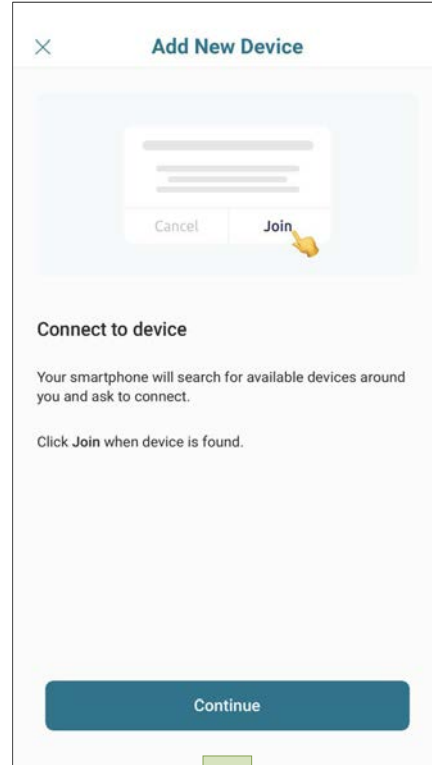


Figure 84. Connecter un téléphone iPhone

- L'écran Configuration Wi-Fi (Wi-Fi Setup) s'affiche. Sélectionnez ou entrez le réseau Wi-Fi auquel vous souhaitez connecter votre appareil et saisissez le mot de passe réseau, voir **Figure 85**.
- Appuyez sur le bouton Continue pour poursuivre.

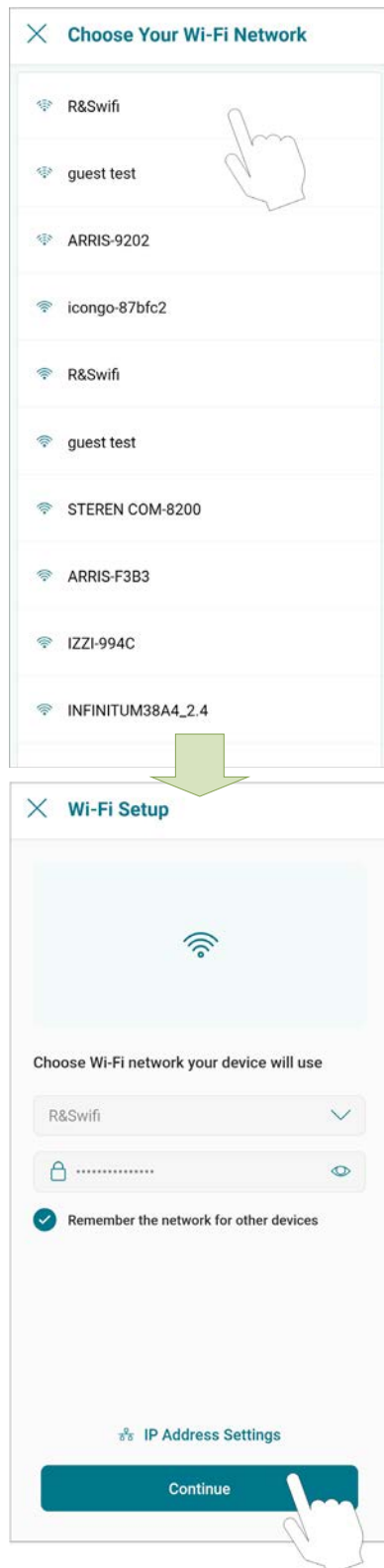


Figure 85. Configuration Wi-Fi

IMPORTANT: le module Wi-Fi Raymote fonctionne uniquement à une fréquence Wi-Fi de 2,4 GHz.

Autres préalables d'utilisation: signal fort à proximité de l'appareil, mot de passe du réseau Wi-Fi et la fréquence Wi-Fi doit être de 2,4 GHz

(IEEE 802.11, 802.11b/g/n/ax).

- L'appli Raymote transmet les identifiants réseau Wi-Fi à votre appareil. Cela pourrait nécessiter quelques secondes, voir **Figure 86**.

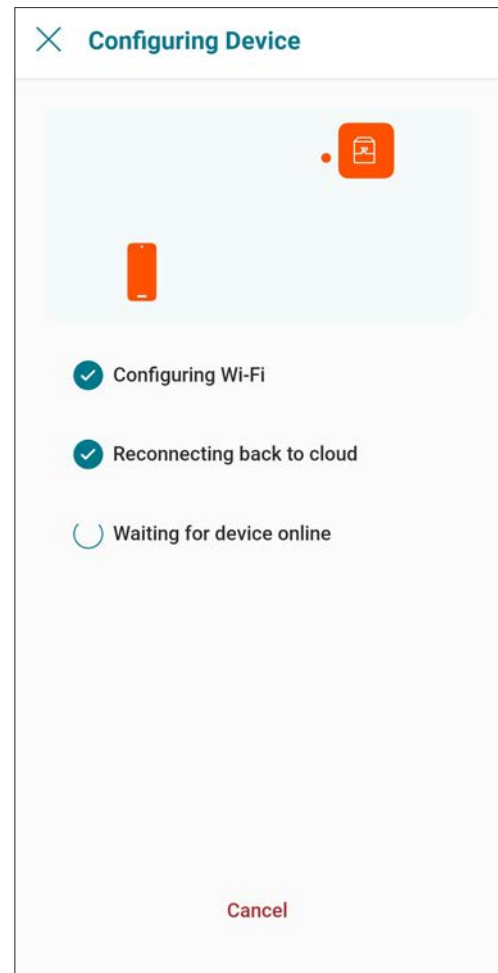


Figure 86. Configuration de l'appareil

- Voir page **58** pour la configuration du module de commande AVIA.

iPhone 6 et versions antérieures

1. L'écran "Wi-Fi setup" s'affiche. Sélectionnez ou entrez le réseau Wi-Fi auquel vous souhaitez connecter votre appareil et saisissez le mot de passe réseau, voir **Figure 87**.
2. Appuyez sur le bouton "Continue".

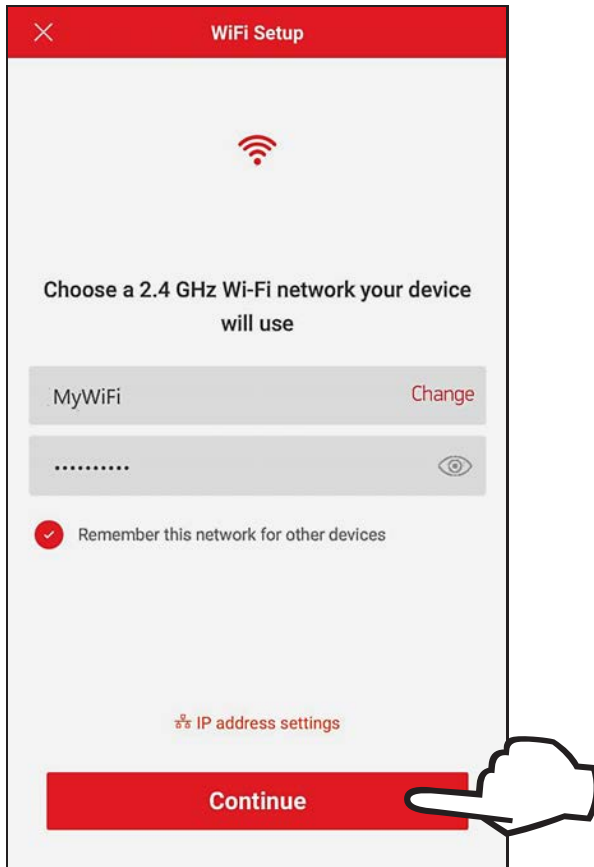


Figure 87. Configuration Wi-Fi

3. L'écran "Check your Device" s'affiche. Assurez-vous que l'appareil AVIA est sous tension et que le signal Wi-Fi est présent, puis appuyez sur le bouton "Ready".

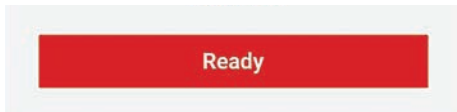


Figure 88. Écran de vérification

NOTE: lors de la première installation sur un téléphone, l'appli Raymote demande d'autoriser l'accès aux données, voir Figure 89.

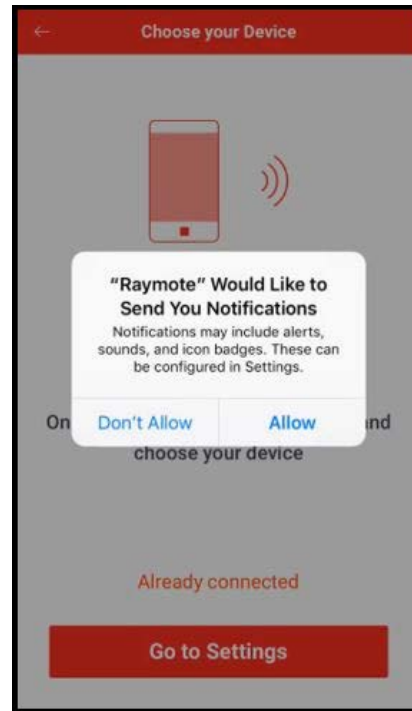


Figure 89. Accorder permissions

4. Appuyez sur le bouton "Go to Settings" sur l'écran "Choose your Device", voir **Figure 90**.

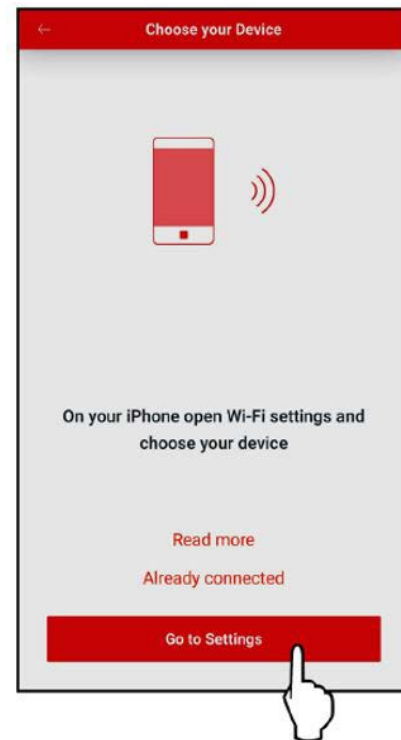


Figure 90. Appuyer sur Go To Settings

5. Appuyez sur Paramètres pour afficher le menu des paramètres, voir **Figure 91**.

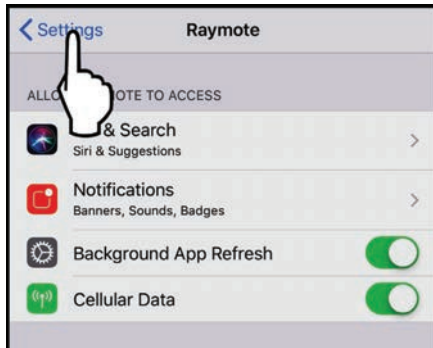


Figure 91. Sélectionnez menu "Settings"

6. Sélectionnez le réseau Wi-Fi dans le menu paramètres,

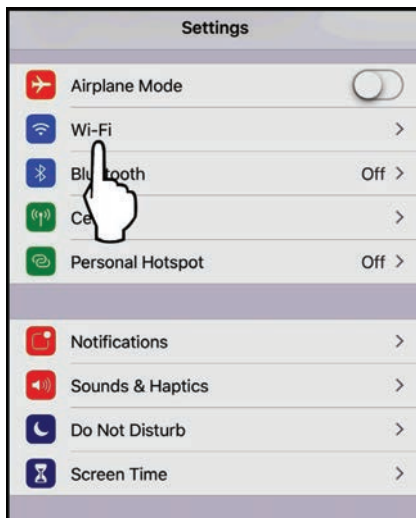


Figure 92. Sélection des paramètres Wi-Fi

7. Sélectionnez le réseau auquel l'appareil est connecté (voir sur l'écran de l'appareil), comme indiqué à la **Figure 93**



Figure 93. Sélectionnez le réseau sans fil

8. Un onglet de notification confirmera que l'iPhone est maintenant connecté à l'appareil. Appuyez sur l'onglet de notification ou retournez manuellement à l'appli mobile Raymote pour iPhone, voir **Figure 94**.



Figure 94. Notification de connexion

9. L'appli mobile Raymote transmet les identifiants réseau Wi-Fi à votre appareil,

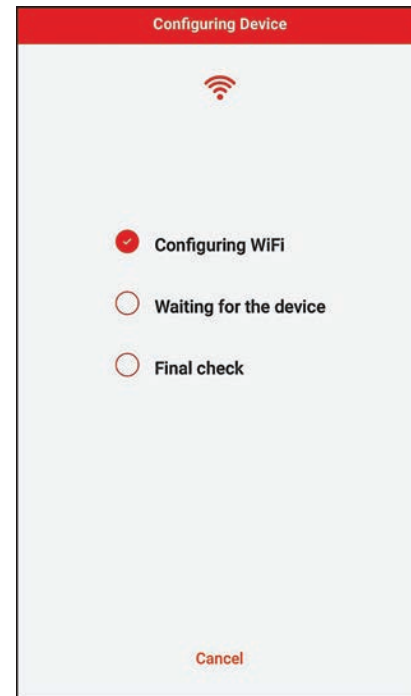


Figure 95. Configuration de l'appareil

Configuration du module de commande AVIA

1. Votre appareil est maintenant connecté au Wi-Fi. Vous pouvez modifier le nom de l'appareil ici, voir **Figure 96**.



Figure 96. Nommer l'appareil

2. Appuyez sur "Set up as new" pour entrer l'emplacement de l'appareil et ses renseignements descriptifs. Appuyez sur "Apply recently used profile" pour appliquer un ensemble de renseignements déjà appliqué à un autre appareil.
3. Pour configurer l'appareil, entrez les données signalétiques de l'appareil, puis le nom de l'installateur, l'emplacement d'installation, puis le volume de la piscine et du spa, voir **Figure 97**.

NOTE: ces renseignements peuvent être ajoutés en tout temps depuis l'appli mobile Raymote. Nous recommandons fortement de les entrer dans les meilleurs délais.

4. Après avoir terminé la configuration Raymote, l'appareil lance la transmission des données vers le nuage Raymote.

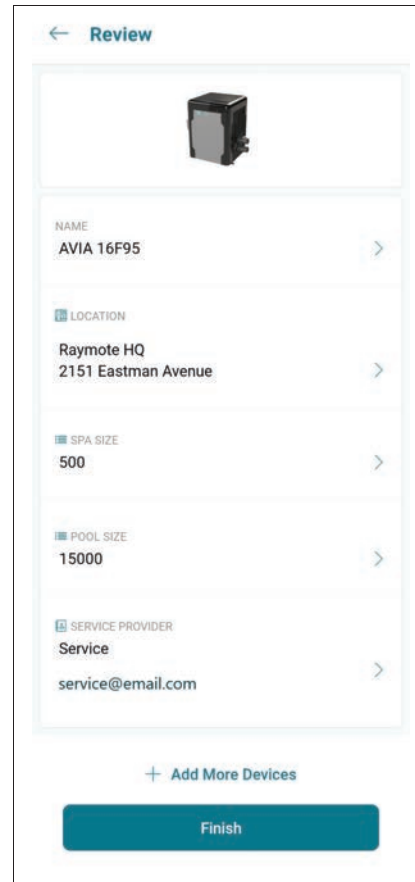
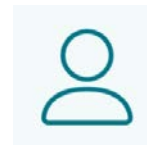


Figure 97. Revue de configuration

12. APPLI MOBILE RAYMOTE



Paramètres d'utilisateur et d'organisation

1. Profil d'utilisateur
 - Entrez votre nom d'utilisateur, courriel et mot de passe.
 - Modifiez ou supprimez votre compte Raymote.
2. Paramètres de l'appli Raymote
 - Réglez les préférences de notification et d'apparence de l'appli.
3. Paramètres d'organisation
 - Vérifiez et mettez à jour les paramètres de votre organisation Raymote.
 - Ajoutez, modifiez ou supprimez des membres ayant accès à votre organisation Raymote.
 - Relier un entrepreneur disposant d'un Compte partenaire Raymote actif avec votre Organisation Raymote, ce qui permet à cet entrepreneur d'accéder à un Compte client Raymote.

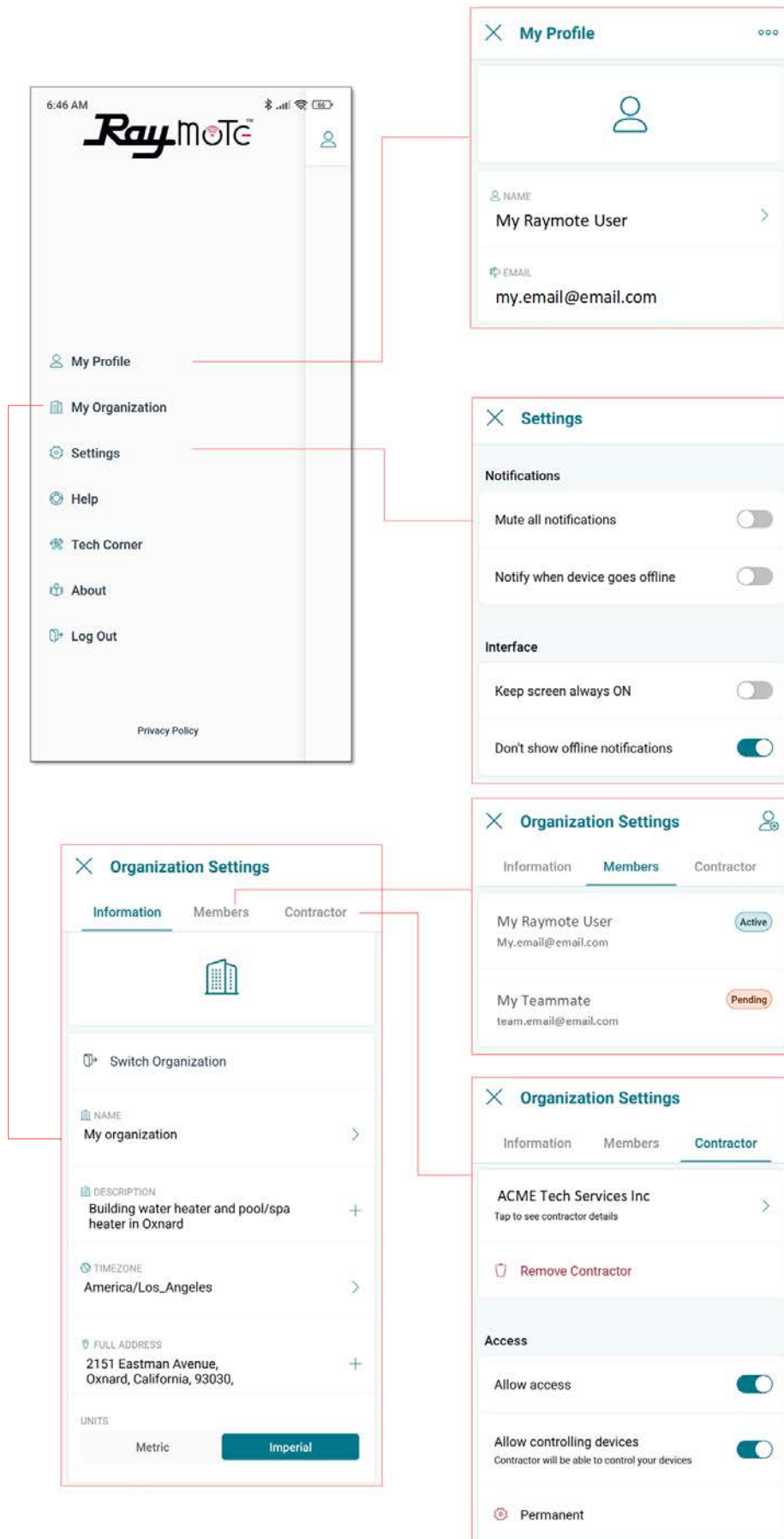


Figure 98. Paramètres - Comptes clients

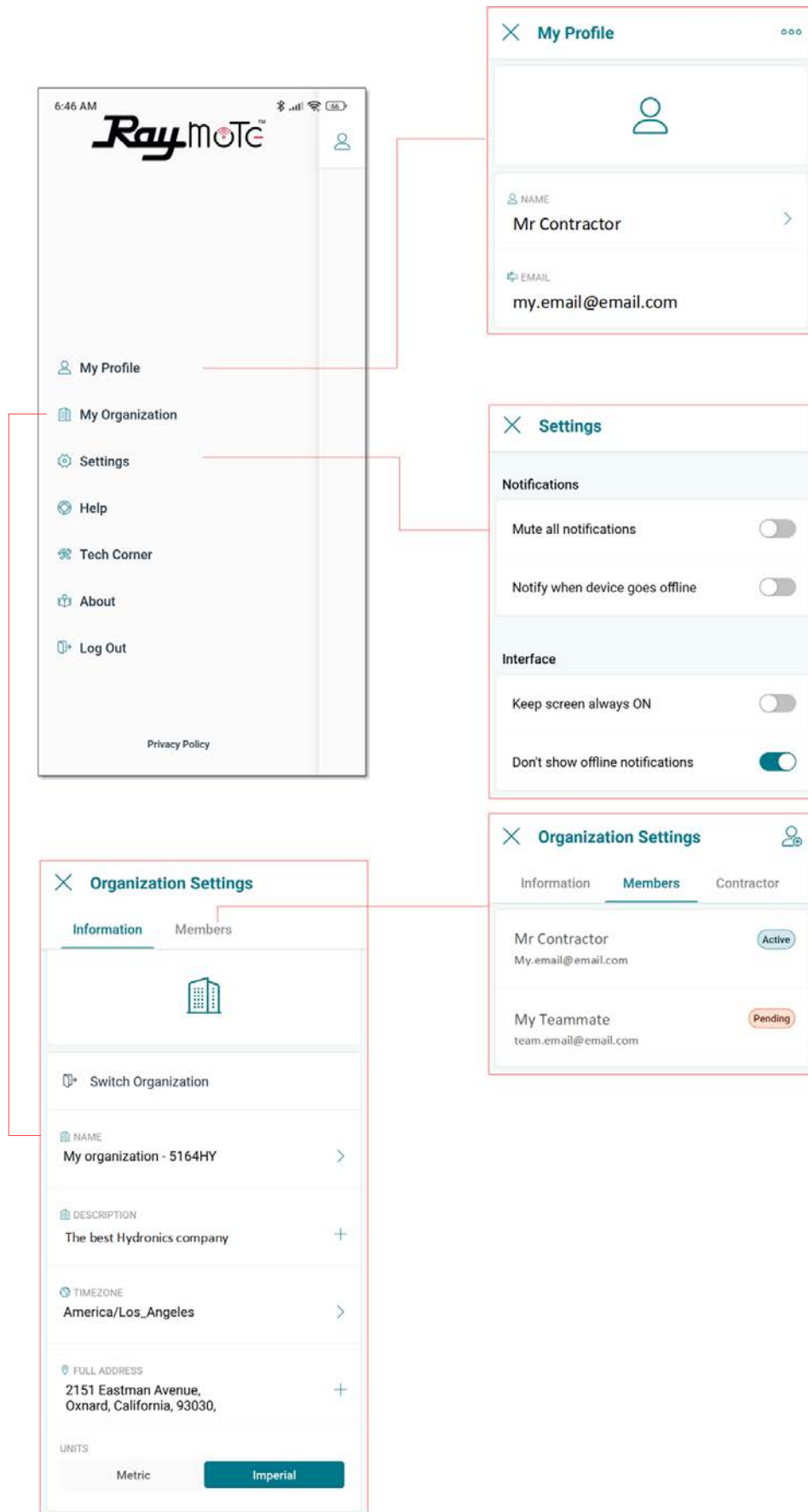


Figure 99. Paramètres - Compte partenaire

Aide et soutien technique

L'appli Raymote permet de directement communiquer avec l'équipe du soutien technique Raypak, de découvrir les kits d'entretien, de consulter les manuels d'installation et d'utilisation de l'appareil et diverses rubriques d'aide Raymote.

1. Aide Raymote

- Accès au ressources en ligne depuis l'appli Raymote.

2. Le coin technique (Tech Corner)

- L'appli permet d'accéder au contenu Raypak Tech Corner, où l'on retrouve une multitude d'informations techniques sur les produits et kits Raypak.

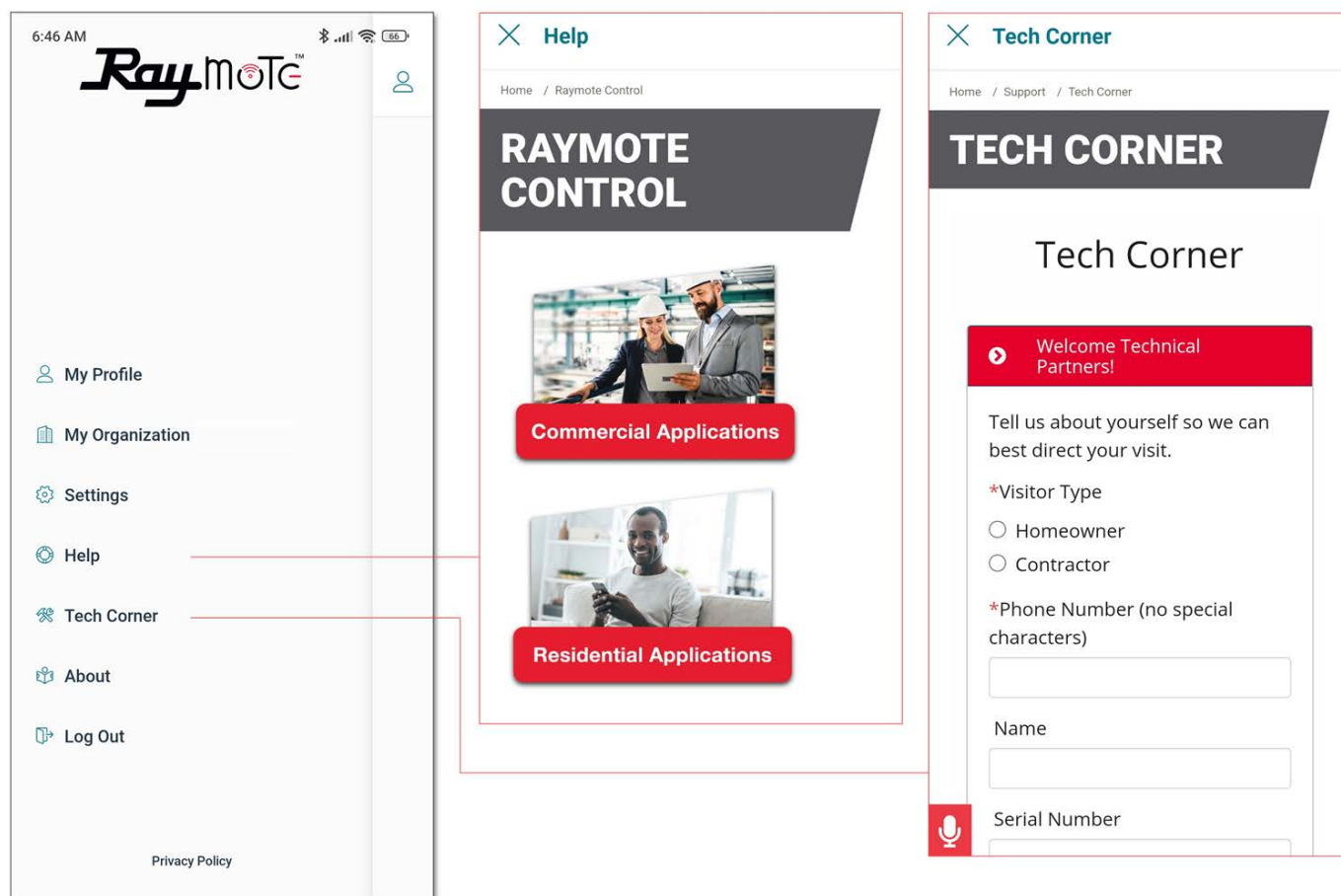


Figure 100. Aide et soutien technique

Écran principal

- L'écran principal du module Raymote affiche la liste des appareils associés à votre organisation Raymote.
- Chaque appareil est représenté par une tuile affichant son nom et ses principaux paramètres de fonctionnement.

- Une organisation Raymote peut inclure plusieurs appareils commerciaux et résidentiels Raypak équipés d'un module Raymote.

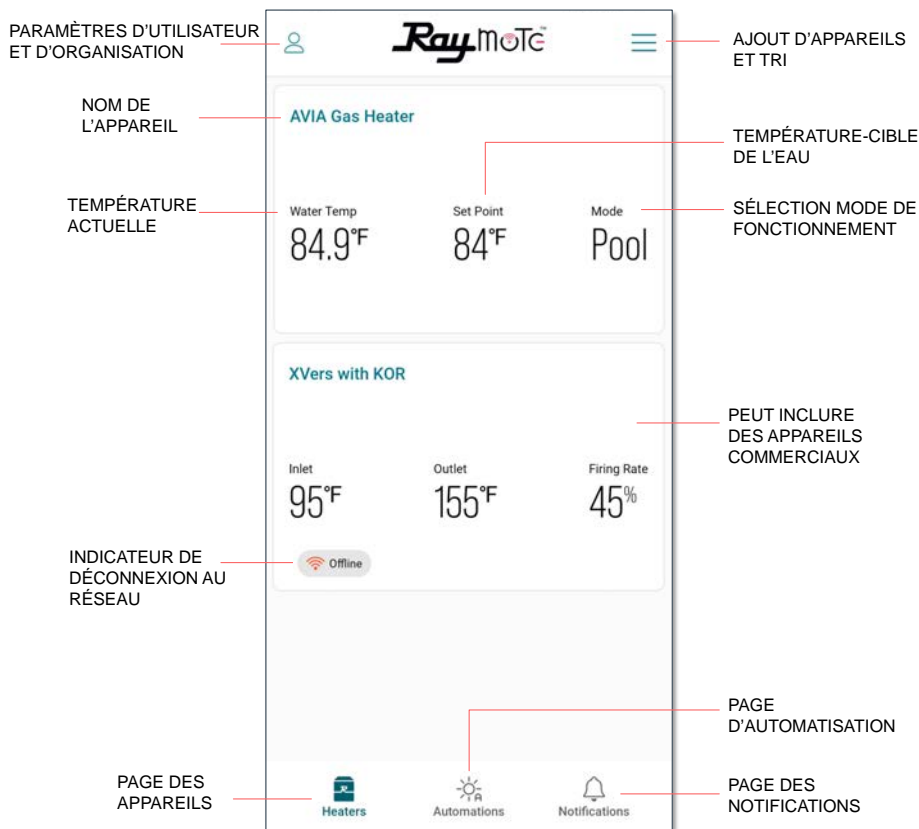


Figure 101. Écran principal - Liste des appareils

Nom de l'appareil

- Le nom de l'appareil peut être défini lors du raccordement au réseau, à l'étape de configuration ou à tout autre dans l'écran de paramétrage de l'appareil.

Water Temp

- Température de l'eau mesurée par l'appareil. La température de l'eau varie en fonction de la température ambiante, ainsi que lors du fonctionnement de la pompe et de l'appareil.

Setpoint

- Le point de consigne correspond à la température cible de l'appareil. Cette valeur peut être réglée depuis la carte de commande AVIA ou l'appli Raymote.
- L'appareil lance un appel de chaleur lorsque la température de l'eau est d'au moins 1 degré Fahrenheit inférieure à la température de consigne et que le mode de fonctionnement est POOL ou SPA.
- Le cycle de chauffage arrête lorsque la température de l'eau est égale ou supérieure à la température de consigne, ou lorsque le mode est réglé à OFF.

Mode

- Le champ Mode affiche le mode de fonctionnement actuellement sélectionné.
- Le mode POOL est régulé par un point de consigne indépendant.
- Le mode SPA est régulé par un point de consigne indépendant.
- En mode OFF, l'appareil reste en veille jusqu'à ce jusqu'à une éventuelle sélection du mode POOL ou SPA.

Indicateur de déconnexion

- S'allume lorsque l'appareil n'est pas connecté au réseau sans fil.
- L'indicateur de déconnexion s'allume lorsque l'appareil n'est plus alimenté en électricité, lorsque la puissance du signal Wi-Fi est insuffisante ou lors d'un changement de nom ou du mot de passe du réseau Wi-Fi.
- Consultez la section Dépannage de la connectivité pour obtenir les directives de reconnexion d'un appareil à un module Raymote.

Automatisation (Automation)

L'écran d'automatisation permet d'attribuer à divers paramètres des valeurs de déclenchement d'actions, comme l'envoi d'une notification la modification d'un autre paramètre, voir **Figure 102** et **Figure 103**.

NOTE: balayez le code ci-dessous avec la caméra de votre téléphone intelligent pour accéder aux instructions détaillées de programmation d'une sortie auxiliaire avec Raymote.
<https://www.raypak.com/support/tech-corner/raymote-automation/>

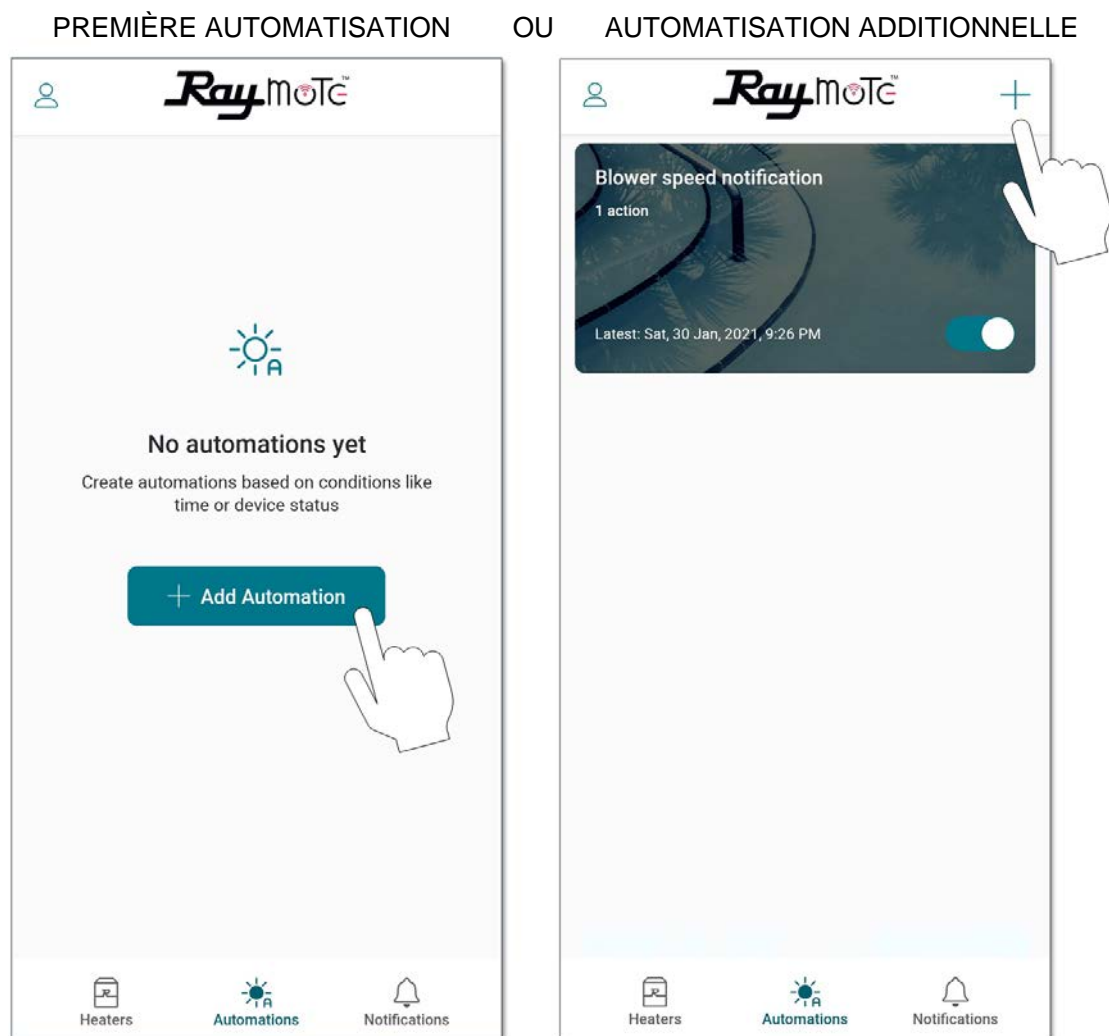
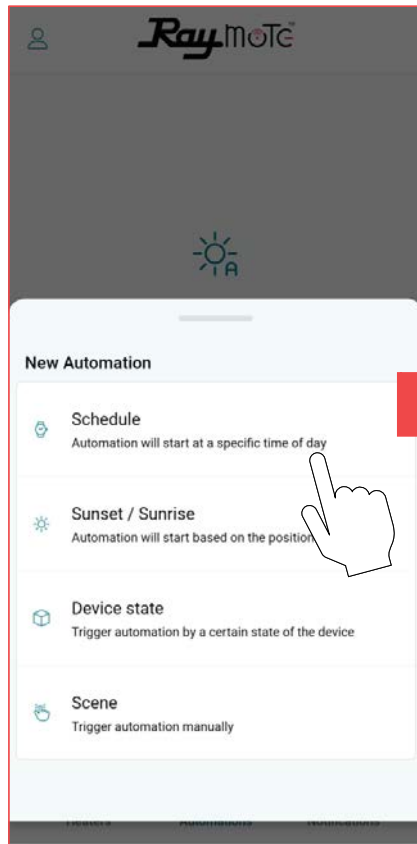
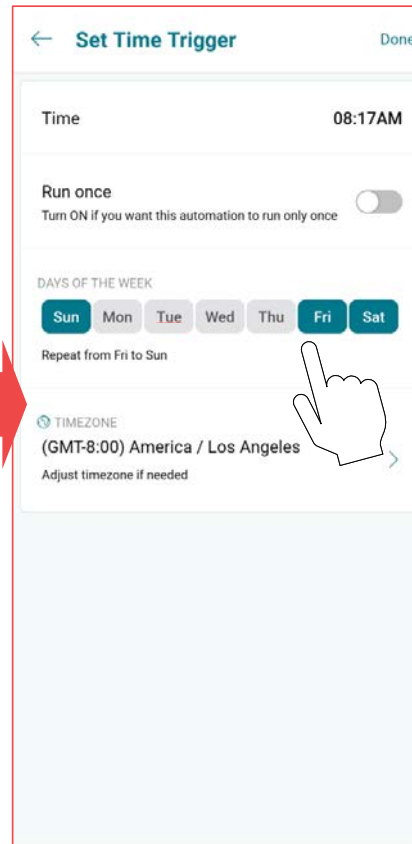


Figure 102. Automatisation (Automation)

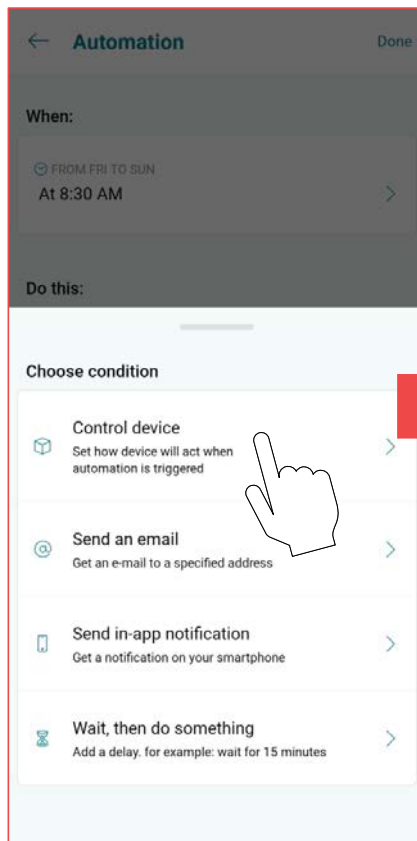
SÉLECTION DÉCLENCHEUR



CONFIGURER DÉCLENCHEUR



SÉLECTIONNER UNE ACTION



CONFIGURATION UNE ACTION

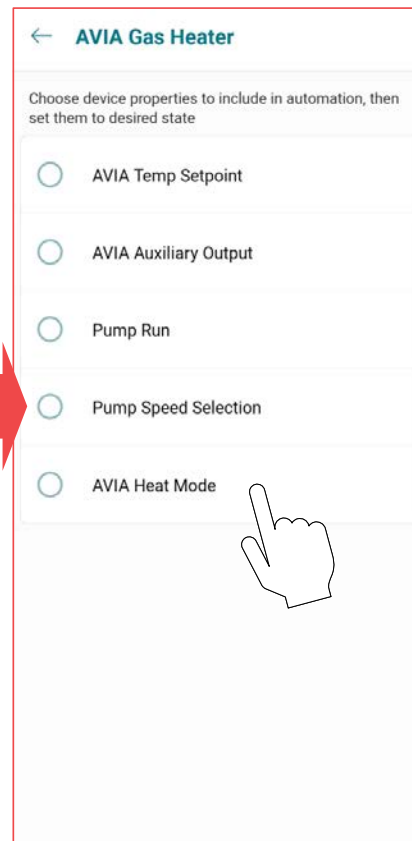


Figure 103. Définir une nouvelle automatisation

Écran Mode Piscine-Spa

L'écran Mode inclut les principales commandes de l'appareil. Le mode de fonctionnement et le point de consigne peuvent être sélectionnés sur cet écran.

Cet écran fournit également la température de l'eau détectée par l'appareil, ainsi que l'état de fonctionnement actuel, voir **Figure 104**.

NOTE: lorsque OFF est sélectionné, le curseur de température de consigne est désactivé.

NOTE: lorsque l'appareil est commandé par un thermostat externe, les options OFF, POOL et SPA sont désactivées dans l'appli.

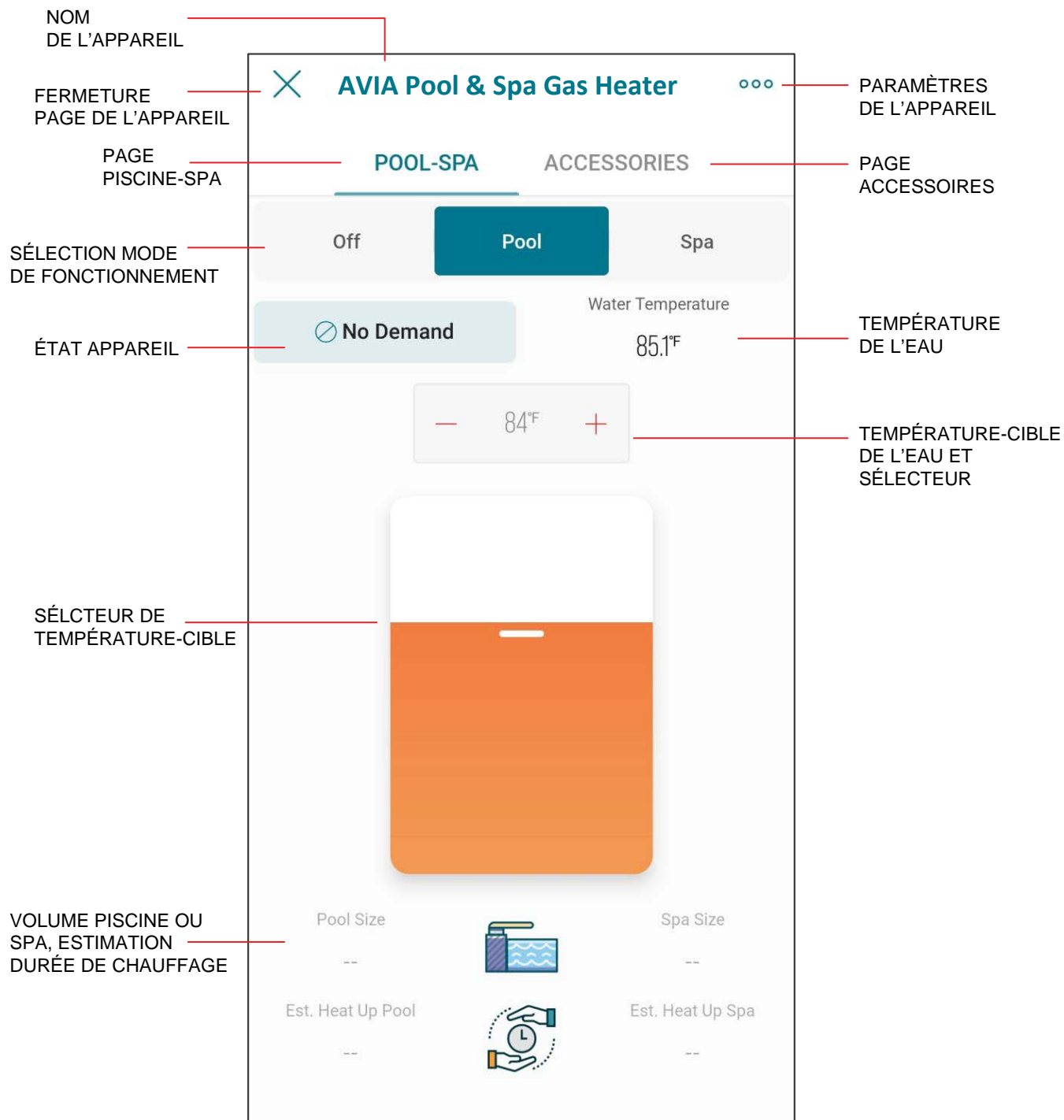


Figure 104. Interface de commande AVIA

Nom de l'appareil

- Le nom de l'appareil peut être défini lors de la connexion au réseau, de la configuration initiale de l'appareil et en tout temps par la suite.

Fermeture de la page de l'appareil

- Appuyez sur X pour fermer la page de l'appareil et revenir à la liste des appareils.

Paramètres de l'appareil

- L'icône à 3 points permet d'accéder aux paramètres de l'appareil.
- Appuyez sur cet icône pour modifier les paramètres de l'appareil.

Page POOL-SPA

- Affiche la page permettant de sélectionner le mode de fonctionnement et la température cible de l'eau.

Page ACCESSOIRES

- Affiche la page de commande des accessoires de l'appareil.

Bouton de sélection du mode de fonctionnement

- Sélecteur du mode de fonctionnement de l'appareil.
- Sélectionnez OFF pour mettre l'appareil à l'arrêt. En mode OFF, l'appareil reste en veille jusqu'à ce jusqu'à une éventuelle sélection du mode POOL ou SPA.
- Sélectionnez le mode POOL ou SPA pour définir la température-cible de l'eau.
- Les modes POOL et SPA sont réglés par des points de consigne indépendants.

Statut de l'appareil

- Indique l'état de fonctionnement actuel ds l'appareil.
- Aucune demande ne s'affiche lorsque le mode OFF est sélectionné ou lorsque la température de l'eau est égale ou supérieure à la température-cible.
- L'indication de pré-purge s'affiche à la suite d'un appel de chaleur et lors de la phase préparatoire d'allumage.

- Une étincelle s'affiche pendant un essai d'allumage.
- L'indication de chauffage s'affiche lorsque l'appareil chauffe.
- L'indication de post-purge s'affiche après que l'appareil ait cessé de chauffer et lors de la phase de refroidissement de l'appareil.

Température de l'eau

- La température de l'eau mesurée par l'appareil s'affiche ici.

Température de consigne

- La valeur de la température-cible de l'eau s'affiche ici.
- L'appareil lance un appel de chaleur lorsque la température de l'eau est d'au moins 1 degré Fahrenheit inférieure à la température de consigne et que le mode de fonctionnement est POOL ou SPA.

Sélecteur de température à glissière

- Ce sélecteur peut être utilisé pour rapidement modifier la température-cible de l'eau.
- Utilisez le sélecteur à glissière ou les boutons [+] et [-] pour régler la température de consigne.

Volume de la piscine ou du spa

- Indique le volume de piscine ou de spa configuré.
- Ces valeurs peuvent être mises sur la page Paramètres.

Estimation de la durée de chauffage, piscine et spa

- Valeur estimative de la durée de chauffage pour atteindre la température de consigne. Considère le volume de la piscine ou du spa, la température actuelle de l'eau et la valeur de la température-cible de l'eau.
- Diverses restrictions techniques peuvent faire varier la précision de cette estimation.

Écran Accessoires

L'écran des accessoires comprend les commandes des accessoires auxiliaires et les fonctionnalités étendues. Ces commandes permettent de commander un relais auxiliaire (ex.: allumer et éteindre une pompe, des lumières ou des jets d'eau).

Cet écran permet également de contrôler une pompe à vitesse variable Raypak Protege lorsqu'elle est connectée à l'appareil, voir **Figure 105**.

⚠ AVERTISSEMENT: seuls les utilisateurs autorisés peuvent régler à distance l'appareil, ne divulguez pas les identifiants aux utilisateurs non autorisés.

⚠ AVERTISSEMENT: consulter la section "Auxiliary Output Control" pour plus de détails sur le câblage et les caractéristiques du relais auxiliaire intégré.

Certaines commandes varient selon l'application et peuvent ne pas être disponibles sur tous les appareils. Les champs correspondants et leurs valeurs sont alors grisés.

Les commandes Raymote correspondent à la configuration réelle de votre appareil. Lorsqu'une modification est appliquée à un élément pouvant être commandé, la position du sélecteur reflète la valeur du paramètre, voir **Figure 105**.

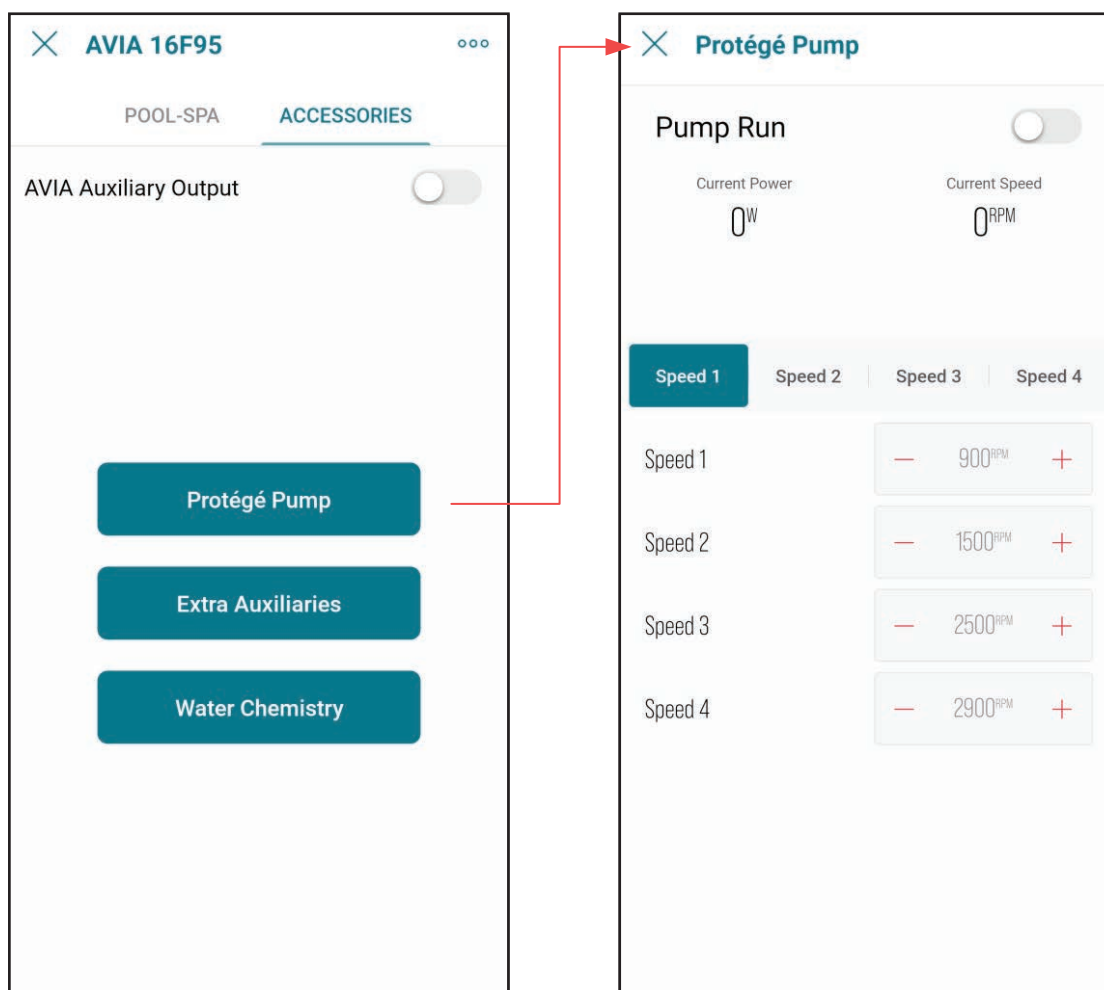


Figure 105. Accessoires AVIA

NOTE: utilisez l'appareil photo de votre smartphone pour ouvrir le lien QR ci-dessous pour accéder aux plus récentes instructions et au soutien technique détaillé Raymote et AVIA. <https://www.raypak.com/support/tech-corner/raymote/>



Réinitialisation Wi-Fi

Une réinitialisation Wi-Fi est utile lorsque l'appareil tente de se connecter à un signal Wi-Fi qui n'est plus disponible ou qui a été modifié.

NOTE: après avoir réinitialisé les identifiants Wi-Fi, l'appareil doit être connecté manuellement au Wi-Fi pour fonctionner avec la configuration Raymote. Assurez-vous de reconnecter un appareil existant dans l'application Raymote ou ajoutez-le en tant que nouvel appareil.

1. Appuyez sur la touche CONNECT et maintenez-la enfoncée pendant 5 secondes.



Figure 106. Réinitialisation Wi-Fi – Appuyez sur CONNECT

2. L'écran affiche "Reset Wi-Fi?" dans la rangée supérieure et "No" dans la deuxième.
3. Pour annuler et quitter, appuyez sur MODE.

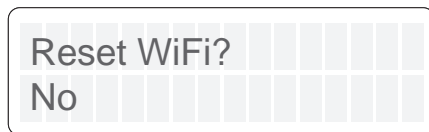


Figure 107. Réinitialisation Wi-Fi

4. Pour procéder, appuyez sur la touche UP.
5. La deuxième rangée affiche maintenant "Yes".

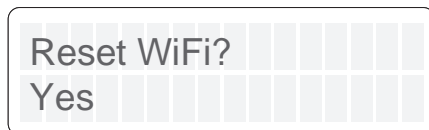


Figure 108. Confirmation de réinitialisation

6. Appuyez sur la touche Mode pour réinitialiser.
7. "Wi-Fi Initialized" s'affiche.



Figure 109. Réinitialisation Wi-Fi terminée

8. Connectez à nouveau ou reconfigurez un appareil de chauffage existant.

Reconnexion au Wi-Fi

Suivez les étapes suivantes pour reconnecter un appareil de chauffage déjà enregistré dans Raymote à un nouveau réseau Wi-Fi ou après un changement de mot de passe Wi-Fi.

1. Sélectionnez l'appareil qui doit être reconfiguré.
2. Appuyez sur les 3 points dans le coin supérieur droit pour ouvrir la page des paramètres.

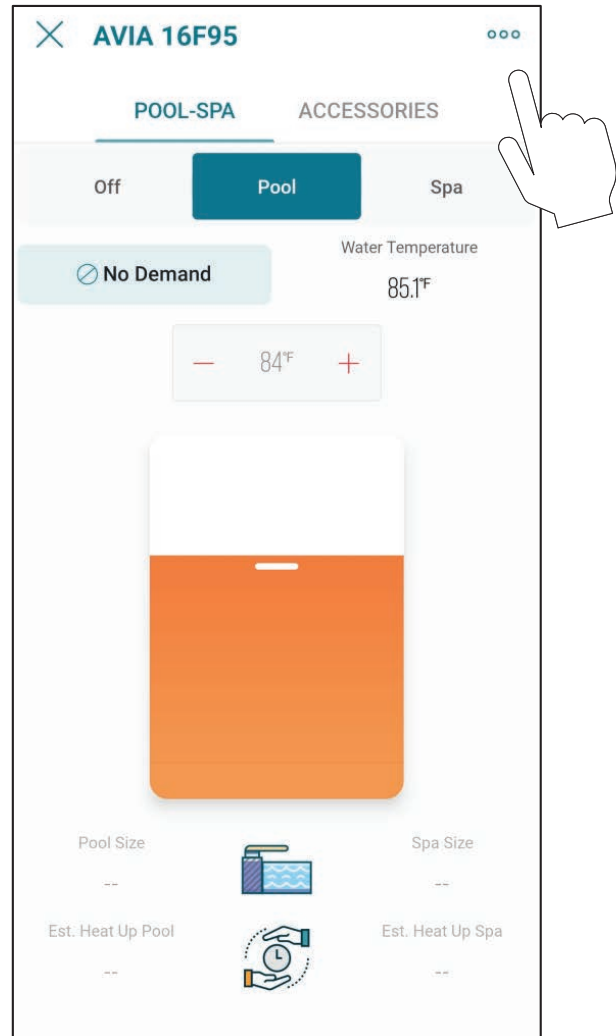


Figure 110. Ouverture de la page des paramètres

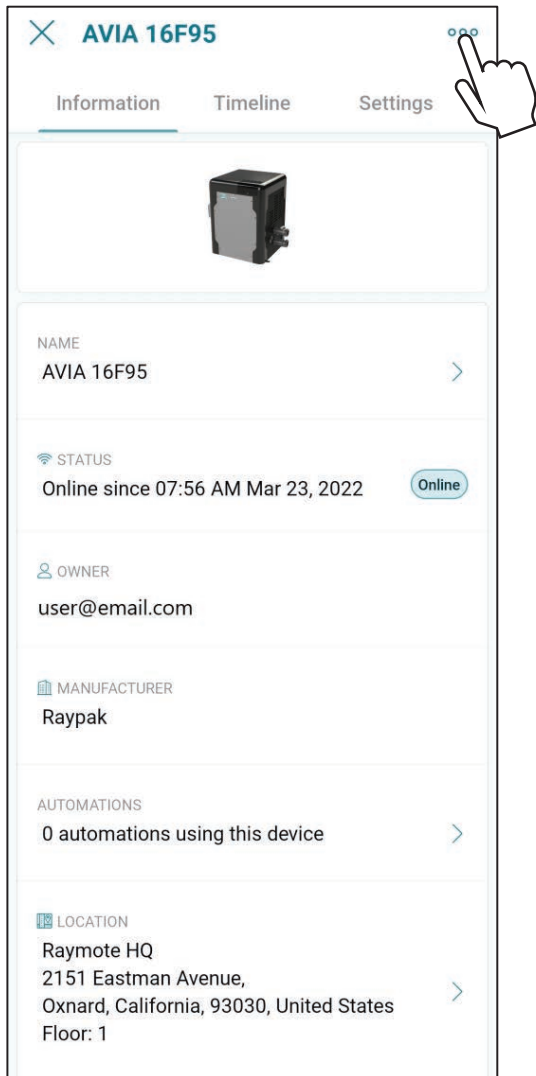


Figure 111. Page des paramètres de l'appareil

3. Cliquez à nouveau sur l'icône des 3 points. La glissière des Actions s'affiche. Dans le menu "Actions", sélectionnez l'option "Reconfigure".

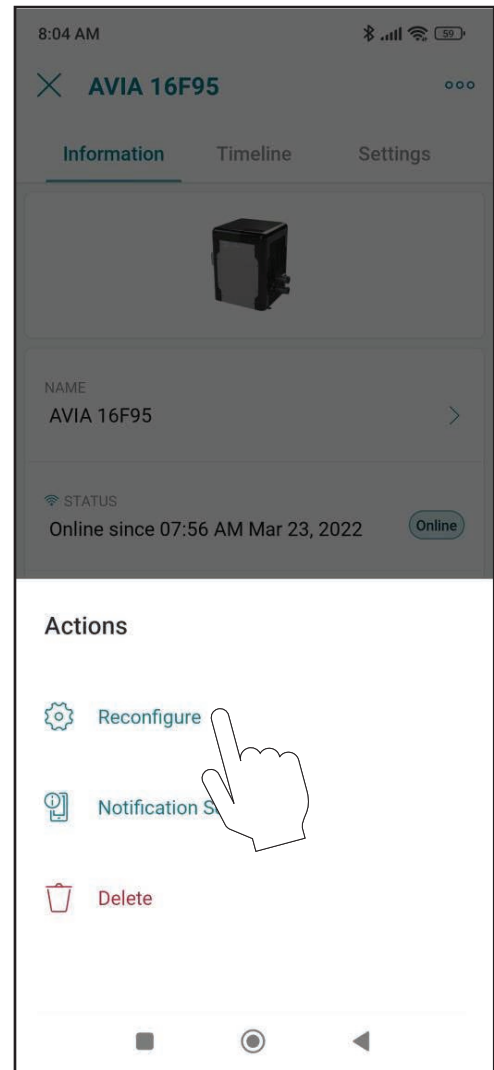


Figure 112. Sélectionner reconfigurer

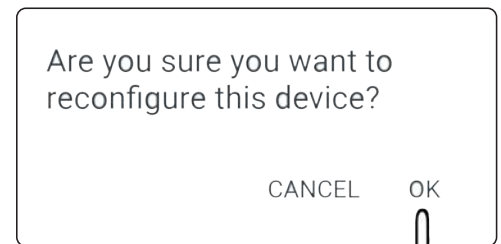


Figure 113. Confirmer la sélection

4. L'écran "Check your Device" s'affiche. Assurez-vous que l'appareil est sous tension et que le signal Wi-Fi est présent, puis appuyez sur le bouton "Ready", voir **Figure 114**.

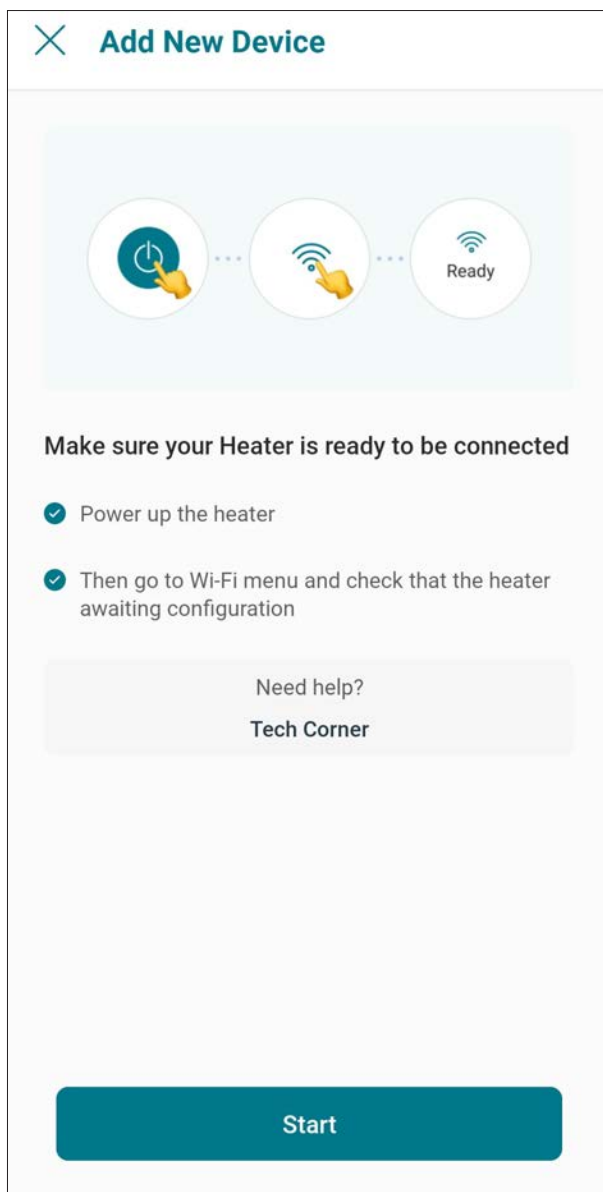


Figure 114. Vérification des préalables

5. **Sous Android:** selon l'état de votre configuration actuelle, un ou plusieurs appareils s'affichent sur l'écran de l'appli. Sélectionnez le réseau sans fil auquel vous souhaitez l'associer, comme illustré à la **Figure 115**.

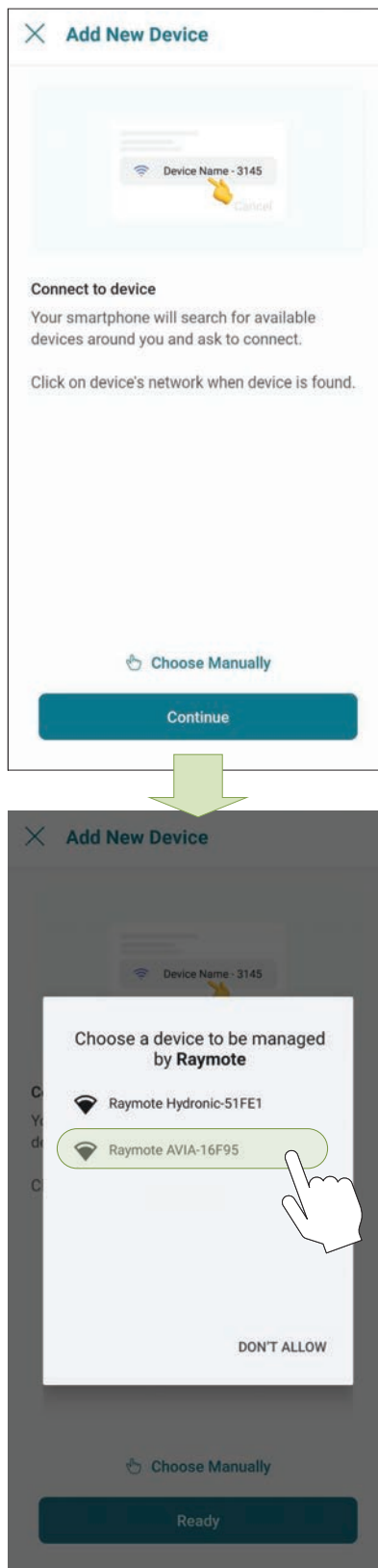


Figure 115. Connecter un téléphone Android

6. **iPhone:** l'application Raymote recherche les appareils à proximité. Si plusieurs unités sont prêtes à être connectées, placez-vous près de celui que vous souhaitez connecter en premier.

Sélectionnez l'appareil que vous souhaitez connecter au réseau sans fil puis appuyez sur Join (Rejoindre) ou sur Annuler (Cancel) pour sélectionner un autre appareil, voir **Figure 116**.

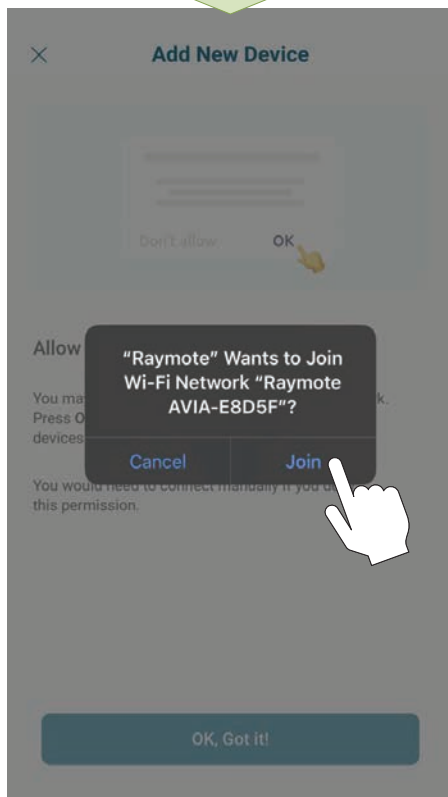
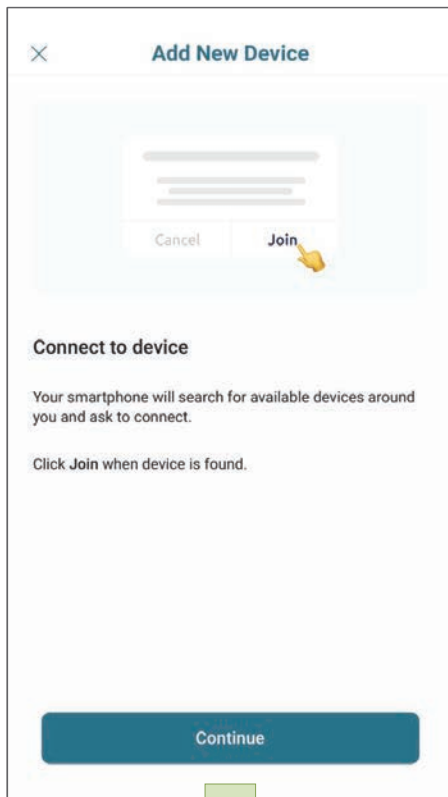


Figure 116. Clonner un téléphone iPhone

7. L'écran Configuration Wi-Fi (Wi-Fi Setup) s'affiche. Sélectionnez ou entrez le réseau Wi-Fi auquel vous souhaitez connecter votre appareil et saisissez le mot de passe réseau, voir **Figure 117**.
8. Appuyez sur le bouton Continue pour poursuivre.

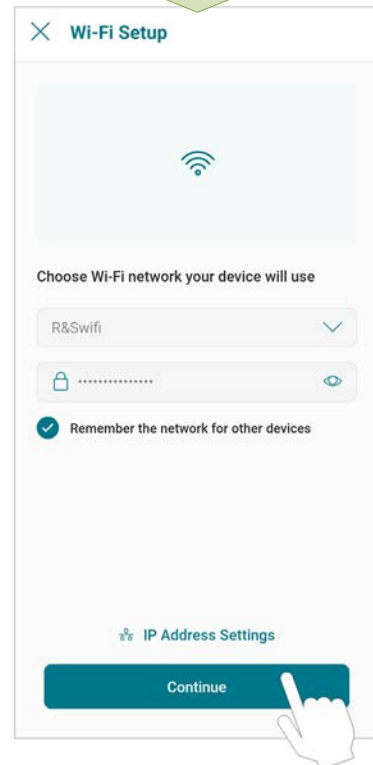
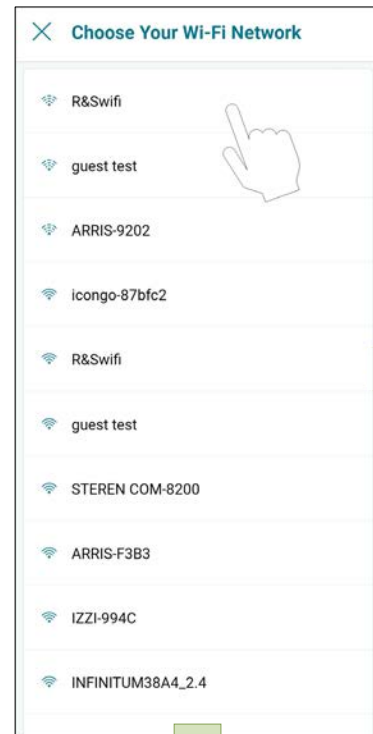


Figure 117. Configuration Wi-Fi

IMPORTANT: le module Wi-Fi Raymote fonctionne uniquement à une fréquence Wi-Fi de 2,4 GHz.

Autres préalables d'utilisation: signal fort à proximité de l'appareil, mot de passe du réseau Wi-Fi et la fréquence Wi-Fi doit être de 2,4 GHz

(IEEE 802.11, 802.11b/g/n/ax).

9. L'appli Raymote transmet les identifiants réseau Wi-Fi à votre appareil. Cela pourrait nécessiter quelques secondes, voir **Figure 118**.

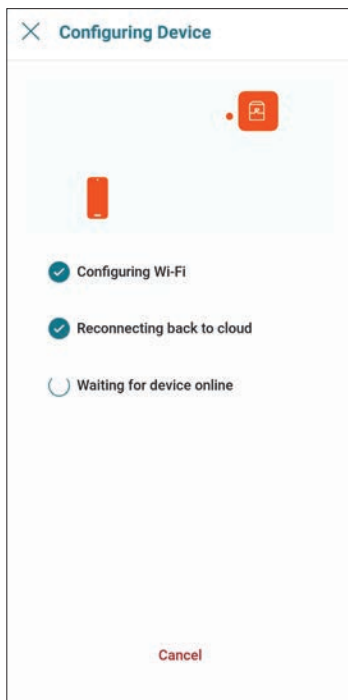


Figure 118. Configuration de l'appareil

10. Votre appareil est maintenant connecté au Wi-Fi.

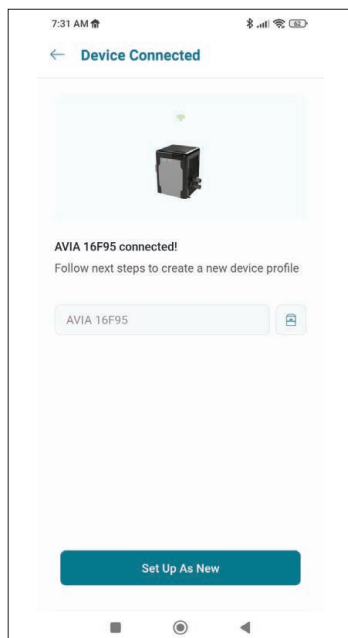


Figure 119. Nommer l'appareil

11. Appuyez sur "Set up as new" pour entrer l'emplacement de l'appareil et ses renseignements descriptifs. Appuyez sur "Apply recently used profile" pour appliquer un ensemble de renseignements déjà appliqué à un autre appareil.

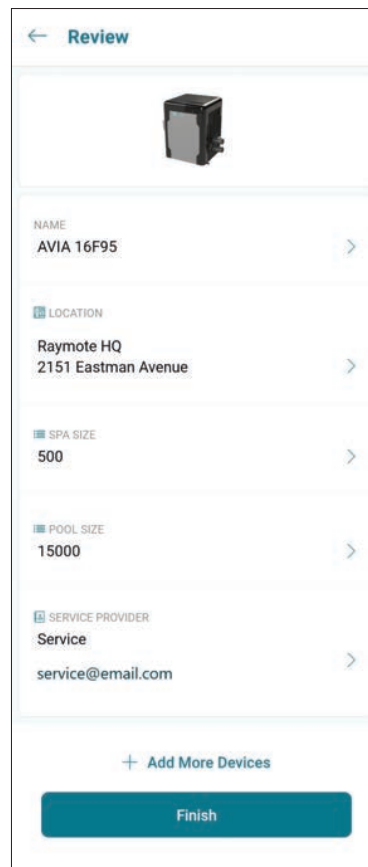


Figure 120. Revue de configuration

12. Après avoir terminé la configuration Raymote, l'appareil lance la transmission des données vers le nuage Raymote.

Ajouter un nouvel utilisateur à l'organisation

- Le responsable de l'organisation peut ajouter des membres (parents, amis et autres), qui pourront

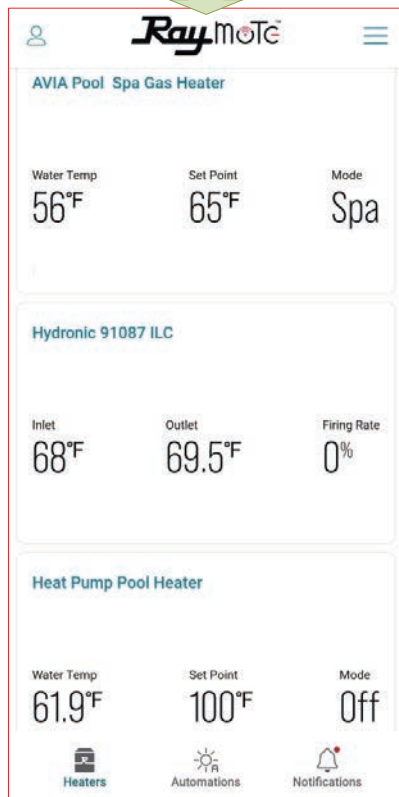
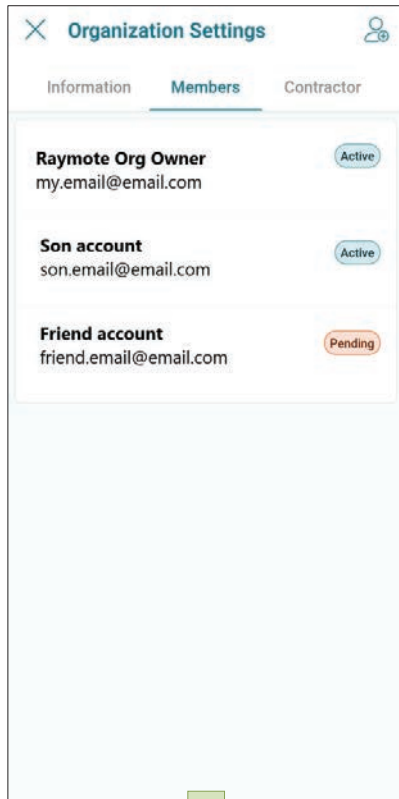


Figure 121. Page d'un membre de l'organisation

interagir avec les appareils de chauffage de l'organisation.

- Dans Compte partenaire Raymote, ajouter des membres partenaires à votre Organisation afin qu'ils puissent accéder aux Appareils et Clients de votre Organisation.

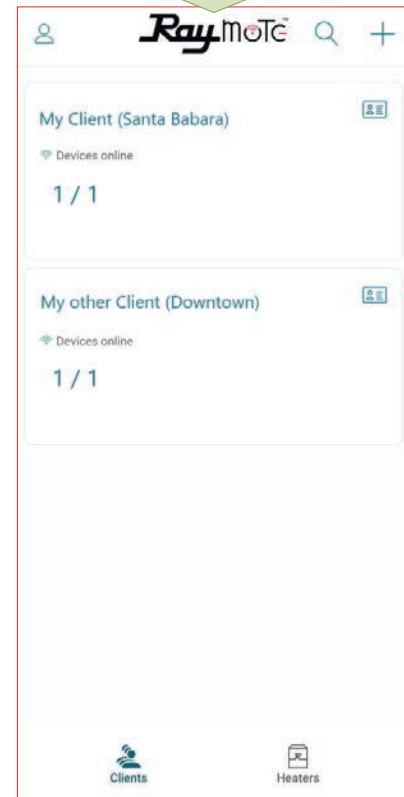
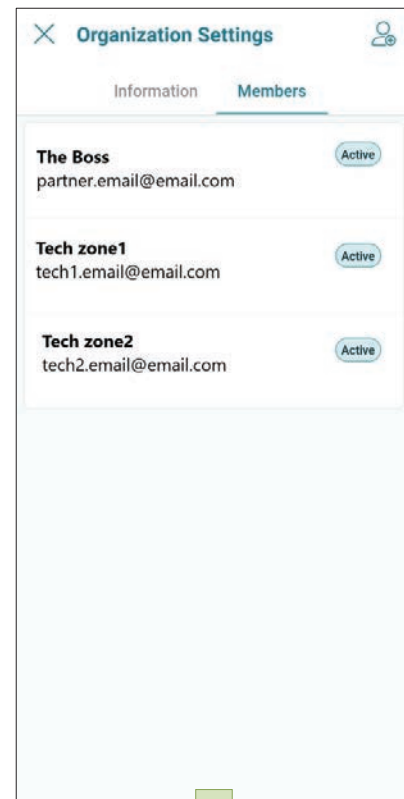


Figure 122. Compte partenaire lié à plusieurs clients

Ajouter un membre à l'organisation

1. Ouvrez l'appli Raymote de votre téléphone.
2. En haut à gauche, cliquez sur "User Menu" (Menu Utilisateur), puis sur "My Organization" (Mon organisation).

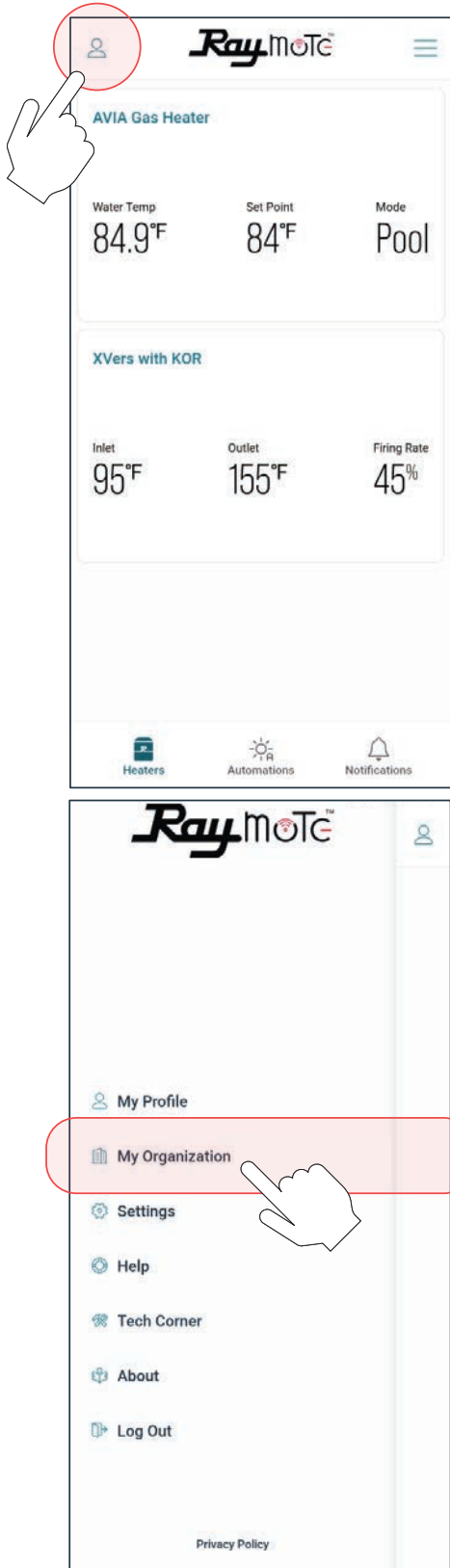


Figure 123. Mise à jour des options de l'organisation

3. Cliquez sur l'onglet "Members" (Membres). La liste des membres s'affiche.
4. Cliquez sur l'icône en haut à droite pour [Invite a New Member] (Inviter un nouveau membre).

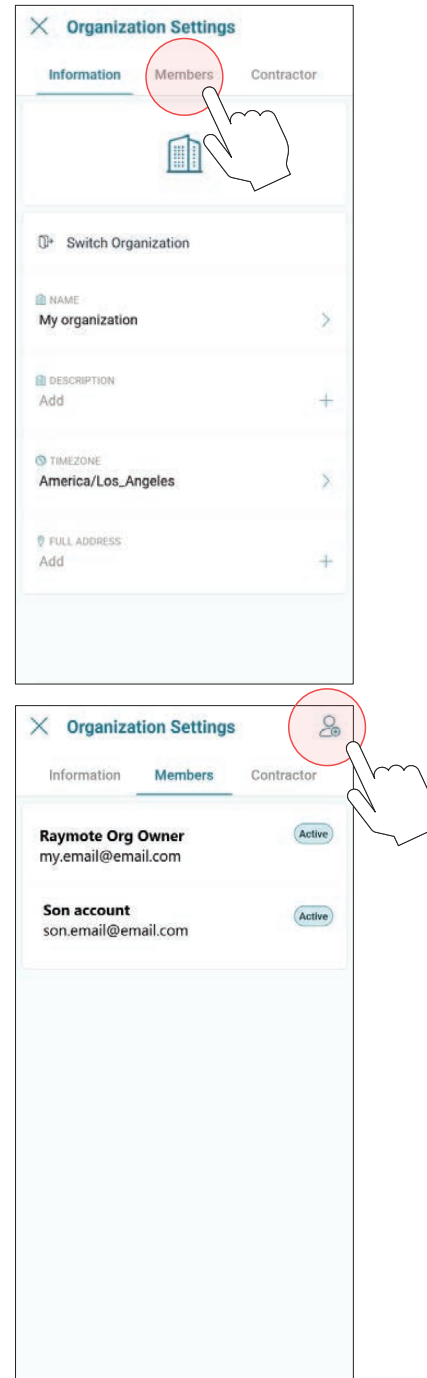


Figure 124. Inviter un nouveau membre à l'organisation

5. Entrez les renseignements demandés pour inviter le nouveau membre. Sélectionnez les permissions du nouveau membre.
6. Cliquez sur l'icône en haut à droite pour sauvegarder les sélections et envoyer l'invitation. Un courriel est envoyé au nouveau membre pour l'inviter à se créer un nouvel utilisateur Raymote associé à votre organisation.

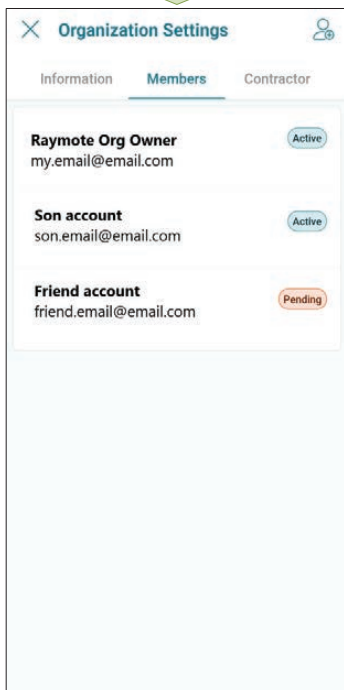
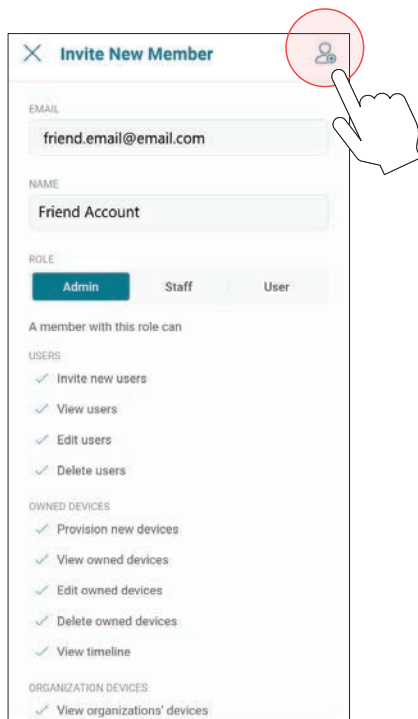


Figure 125. Inviter un nouveau membre

- IMPORTANT:** à la réception de l'invitation par courriel, le nouveau membre doit créer un mot de passe qui lui permettra d'accéder à votre organisation Raymote.

Comptes clients: inviter un entrepreneur

Vous pouvez inviter un entrepreneur ou un distributeur et lui donner accès aux appareils de votre organisation.

Cet accès peut être conditionné selon une variété de permissions, comme:

- Accès de surveillance seulement.
- Surveillance et commande à distance,
 - o Accès permanent ou limité dans le temps.

1. Ouvrez l'appli Raymote de votre téléphone.
2. En haut à gauche, cliquez sur "User Menu" (Menu Utilisateur),
3. puis sur "My Organization" (Mon organisation).

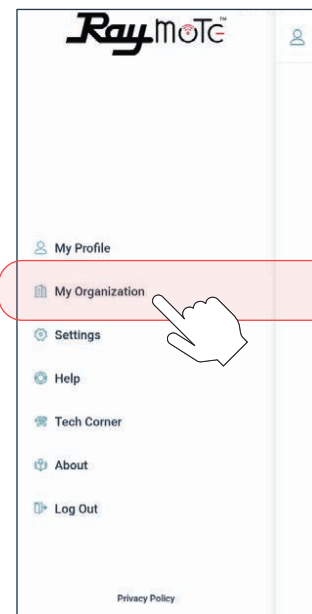
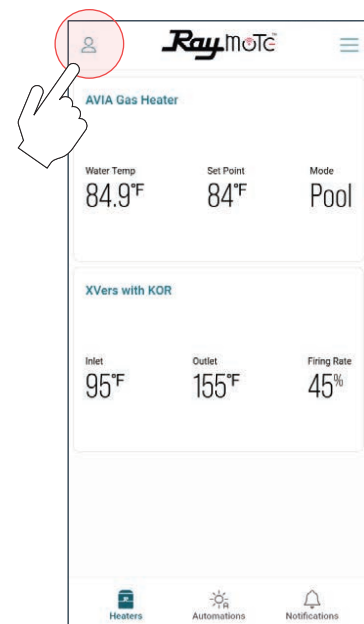


Figure 126. Mise à jour des options de l'organisation

- La page Paramètres de l'organisation (Organization Settings) s'affiche.
- Allez à l'onglet **[Contractor]** (Entrepreneur) et appuyez sur **[Invite Contractor]** (Inviter entrepreneur).

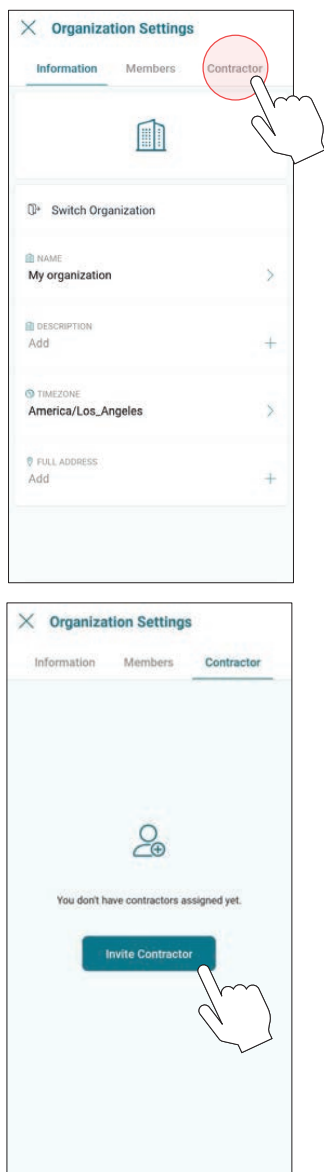


Figure 127. Cliquer sur "Invite Contractor" (Inviter entrepreneur)

IMPORTANT: seuls les entrepreneurs disposant d'un Compte partenaire Raymote actif peuvent être invités à faire partie de votre Organisation.

- Entrez le courriel de l'entrepreneur et sélectionnez les permissions d'accès comme requis:
 - Allow access** (Autoriser accès) - Permission de surveillance des appareils.
 - Allow controlling device** (Permettre commande des appareils) - L'entrepreneur peut modifier la configuration de l'appareil et créer des routines d'automatisation.
 - Access Period** (Durée d'accès) - Durée de validité de l'autorisation d'accès.

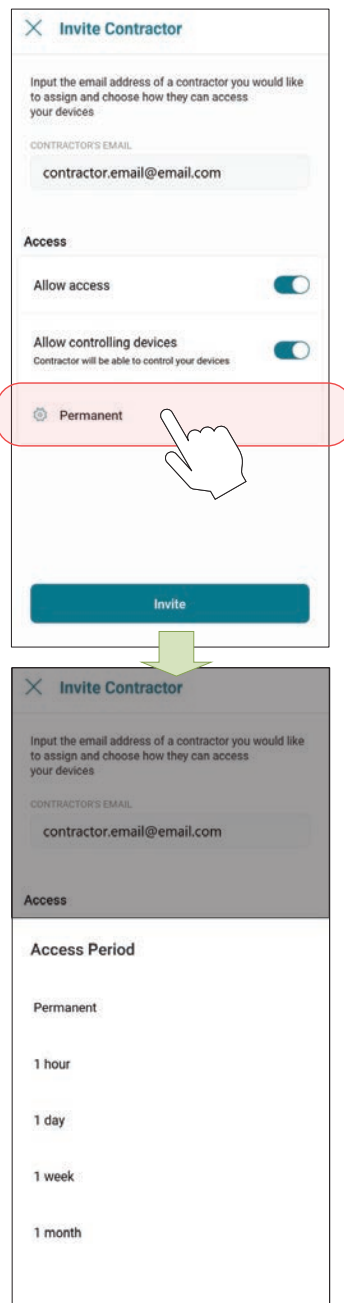


Figure 128. Entrer le courriel de l'entrepreneur et définir les permissions

- Lorsque vous êtes prêt, appuyez sur **[Invite]** (Inviter). Une invitation est envoyée à l'entrepreneur. Lorsque vous êtes prêt, appuyez sur **[Invite]** (Inviter). Une invitation est envoyée à l'entrepreneur.
- IMPORTANT:** l'entrepreneur doit accepter l'invitation depuis l'appli Raymote, sa session d'utilisateur étant ouverte.
- Il est possible d'annuler une invitation non acceptée, de modifier les permissions ou même de rétracter l'autorisation d'accès dans la page des paramètres de l'organisation, page **[Contractor]** (Entrepreneur).

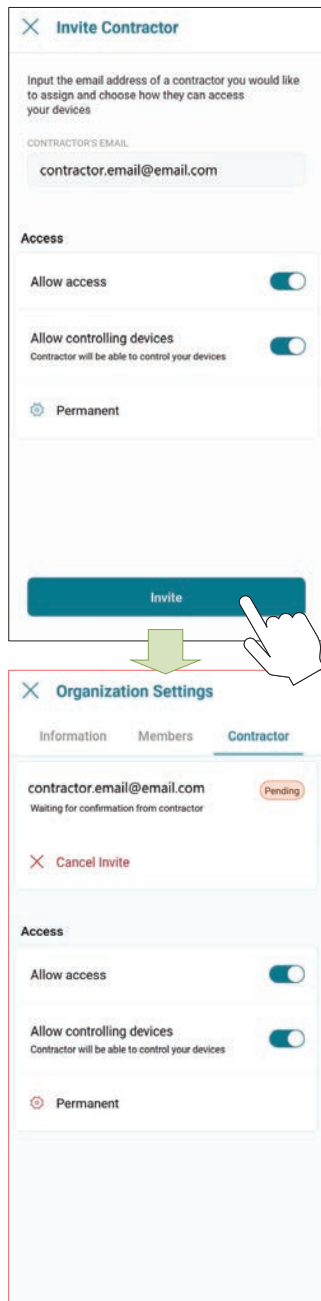


Figure 129. Envoyer une invitation

NOTES:

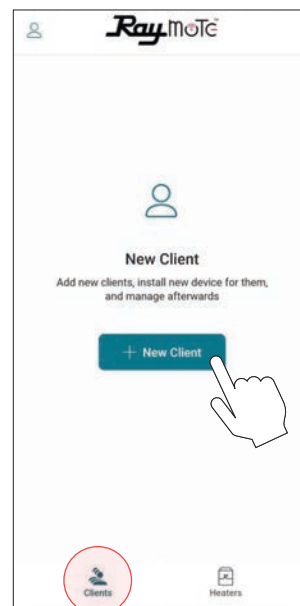
- L'option "Invite a contractor" (Inviter un entrepreneur) est uniquement disponible pour un compte client Raymote.
- L'Entrepreneur doit posséder un Compte partenaire Raymote pour recevoir une demande de la part d'un compte client.
- UN Compte partenaire Raymote peut uniquement inviter des nouveaux clients via Raymote. Si le client possède déjà un compte Raymote, demandez-lui d'envoyer une demande à partir de l'onglet « Entrepreneur ».

Compte partenaire: inviter de nouveaux clients

Un Compte partenaire Raymote pour entrepreneur sert à:

- Inviter de nouveaux clients et gérer leurs accès
- Se connecter et configurer les appareils de clients
- Surveiller et commander à distance les appareils de clients
- Créer des routines d'automatisation et des alertes pour les clients
- Inviter de nouveaux membres à votre organisation

1. Ouvrez l'appli Raymote de votre téléphone.
2. Cliquez sur l'icône [Clients] en bas à gauche.
3. Appuyez sur [New Client] (Nouveau client) ou sur l'icône [+] en haut à droite.



OU



Figure 130. Inviter un client à s'ouvrir un compte Raymote et à rejoindre votre organisation

4. Remplissez le formulaire "New Client" (Nouveau client): courriel, nom et adresse.
5. Appuyez ensuite sur **[Create New Client]** (Créer un nouveau client). Un courriel d'invitation sera envoyé au client.

New Client

CLIENT EMAIL
client.email@gmail.com

CLIENT NAME (ONLY YOU WILL SEE IT)
Enter Client name (Only you will see it)

ADDRESS
Start typing...

NOTES (OPTIONAL)
Enter Notes

Create New Client

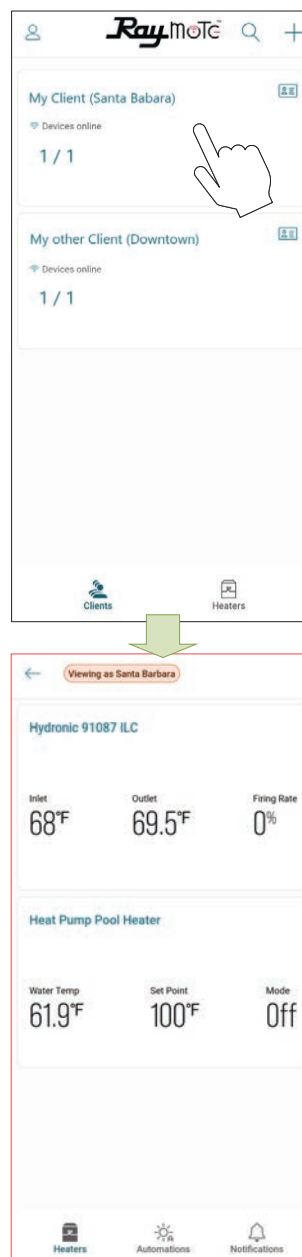


Figure 132. Accès à l'appareil d'un client

Figure 131. Entrer les renseignements du client

6. Demandez à votre **client** de se créer un nouveau compte Raymote à partir de l'invitation qu'il a reçue par courriel.
7. Il suffit de cliquer sur l'appareil à surveiller ou à commander pour y accéder.

NOTES:

- L'OPTION "Add New Client" (Ajouter nouveau client) est uniquement visible depuis un Compte partenaire Raymote.
- UN Compte partenaire Raymote peut uniquement inviter des nouveaux clients via Raymote. Si le client possède déjà un compte Raymote, demandez-lui d'envoyer une demande à partir de l'onglet « Entrepreneur ».

Transfert à une autre organisation

Si votre réseau comporte plus d'une organisation, vous pouvez passer à une autre via la fonction de recherche ou l'écran Organisation:

1. Depuis le menu principal, cliquez sur l'icône indiqué, en haut à gauche, voir **Figure 133**.
2. Dans le menu principal, cliquez sur l'option Organisation, voir **Figure 134**.

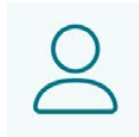


Figure 133. Menu utilisateur

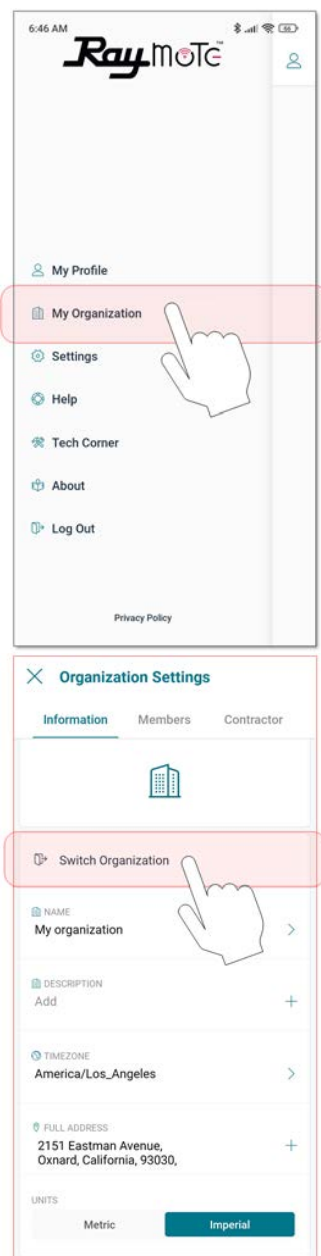
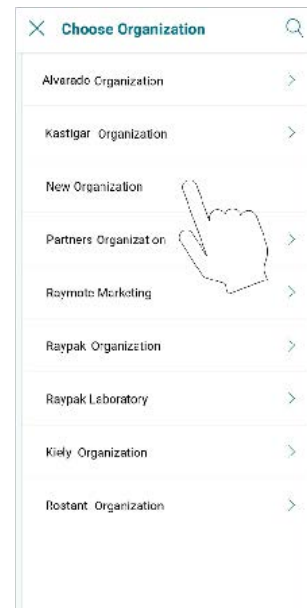


Figure 134. Sélectionner une autre organisation

3. Dans la page Paramètres de l'organisation (Organization Settings), sélectionnez l'option Changer d'organisation (Switch Organization).
4. L'écran affichera toutes les organisations existantes. Sélectionnez l'organisation ou la sous-organisation désirée, voir **Figure 135**.



OU

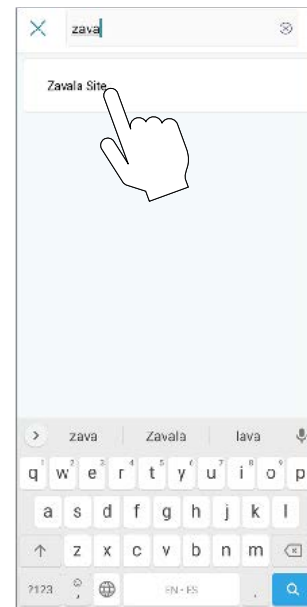


Figure 135. Sélectionner une organisation

Dépannage: connectivité

1. Avec votre téléphone cellulaire, assurez-vous qu'un signal Wi-Fi est présent à proximité de l'appareil. Le réseau Wi-Fi doit avoir les caractéristiques suivantes:
 - Normes Wi-Fi admissibles - Wi-Fi **2,4 GHz** (802.11 b/g/n).
 - Chiffrement de mots de passe - WEP, WPA, WPA2.
 - La puissance du signal Wi-Fi doit atteindre -60 dB ou mieux.

	Signal [dB]	Quality
	≥ -30	Excellent
	-50	Very Good
	-60	Good
	-70	Limited
	-80	Bad
	-90	Unreliable

Figure 136. Signal Wi-Fi

2. Pour vérifier la puissance du signal, vérifiez l'icône de puissance Wi-Fi sur votre téléphone cellulaire ou utilisez une application conçue à cet effet, comme **Fing Network Scanner** sur iPhone ou **Wi-Fi Analyzer** sur Android.

Si vous avez de la difficulté à connecter l'appareil à l'application Raymote, essayez comme suit:

- Assurez-vous de vous connecter au bon réseau Wi-Fi, avec le bon mot de passe.
- Si le nom ou le mot de passe du réseau Wi-Fi changent, modifiez les identifiants de connexion au réseau Wi-Fi depuis le menu Appareil (Device).



Figure 137. Réinitialisation Wi-Fi

3. Assurez-vous que la puissance du signal Wi-Fi est suffisante à proximité de l'appareil.
 - Réduisez la distance entre le routeur Wi-Fi et l'appareil.
 - Installez un prolongateur de réseau Wi-Fi pour améliorer la puissance du signal à proximité de l'appareil, ou connectez-vous à un autre réseau Wi-Fi plus puissant.

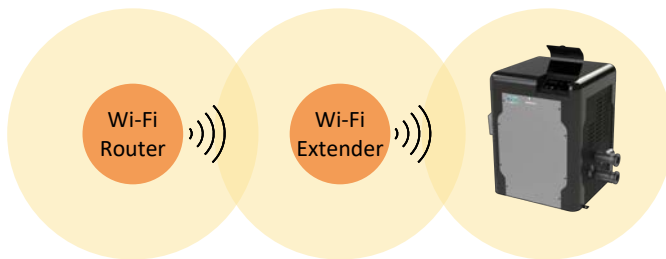


Figure 138. Prolongateur de réseau Wi-Fi

4. Mettez à jour l'application Raymote.



Figure 139. Mettre à jour l'application

5. Mettez brièvement l'appareil à l'arrêt et redémarrez l'appli Raymote.



Figure 140. Redémarrer l'appareil

6. Vérification des paramètres de votre routeur ou point d'accès Wi-Fi.
 - Assurez-vous d'utiliser un réseau 2,4 GHz, car les signaux de 5 GHz ne sont pas compatibles avec l'appareil.
 - Au besoin, assurez-vous d'obtenir les autorisations d'accès appropriées auprès du gestionnaire du réseau Wi-Fi.
 - Vérifiez si votre adresse MAC doit être ajoutée à une liste d'appareils autorisés.
 - Vérifiez si une adresse IP statique est requise.



Figure 141. Paramètres de point d'accès Wi-Fi

13. SORTIE DE CONTRÔLE AUXILIAIRE

NOTE: balayez le code ci-dessous avec la caméra de votre téléphone intelligent pour accéder aux instructions détaillées de programmation d'une sortie auxiliaire avec Raymote. <https://www.raypak.com/support/tech-corner/raymote-automation/>



Cet appareil inclut un relais à contacts secs permettant la mise en marche ou l'arrêt local ou à distance des divers dispositifs, ex.: pompes, fontaine, vannes, éclairage.

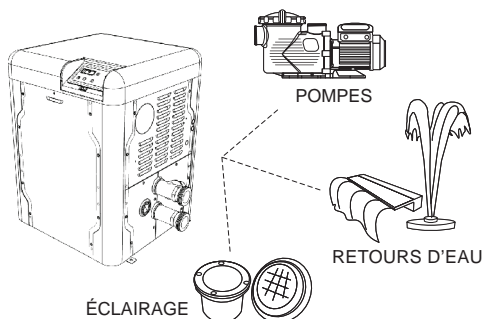


Figure 142. Relais d'intégration d'accessoires

La sortie auxiliaire est disponible au terminal P9 "AUX". Utilisez le harnais fourni pour contrôler les fonctions ON/OFF ou commuter l'alimentation.

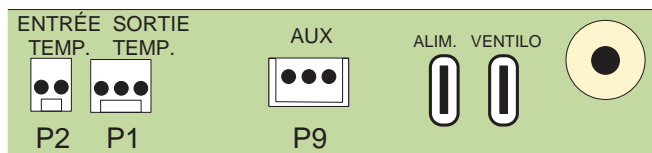
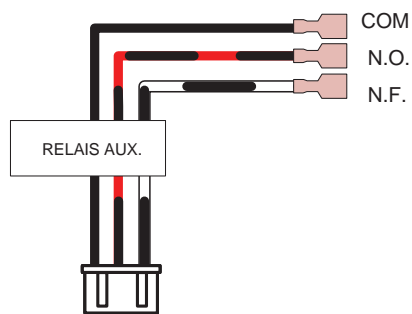


Figure 143. Terminal auxiliaire

Le terminal AUX peut être utilisé comme commande directe ou comme relais d'un relais ou d'un contacteur de puissance. **Table S** décrit les bornes et caractéristiques des sorties auxiliaires.

Terminal	Câble	Cote CA	Cote CC
Neutre	Noir	250V max., 3A	30V max., 3A
Norm. ouvert	Noir et rouge		
Normalement fermé	Noir et blanc		

Table S. Terminaux auxiliaires et cotes

ATTENTION: ne pas dépasser la capacité du relais auxiliaire. Vérifiez les exigences de puissance de tout composant électrique connecté à cet appareil, en suivant les normes et exigences d'installation applicables.

Utilisez les ouvertures défonçables situées à côté du panneau d'entrée d'eau pour acheminer le harnais auxiliaire à l'intérieur du boîtier vers la carte contrôleur, voir **Figure 144**.

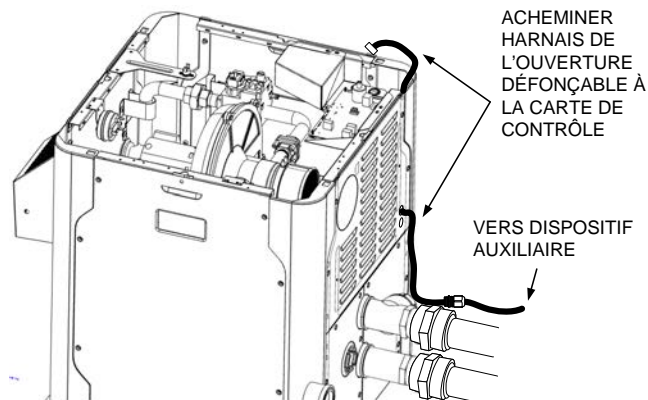


Figure 144. Acheminement du harnais de communication

Il est recommandé d'installer un passe-fils étanche de 1/2 po NPT.

NOTE:

- le relais auxiliaire P9 est à contact sec (nécessite source externe pour alimenter les dispositifs raccordés), voir Figure 145.
- La charge au relais P9 doit être inférieure à 3 A. Pour une charge supérieure à 3 A, utilisez le signal de sortie du relais auxiliaire P9 pour commander un contacteur de puissance supérieure (non fourni), voir Figure 147.

Le relais auxiliaire intégré (P9) est à contact sec; il peut être utilisé pour commuter de la robinetterie motorisée, les lumières et autres dispositifs.

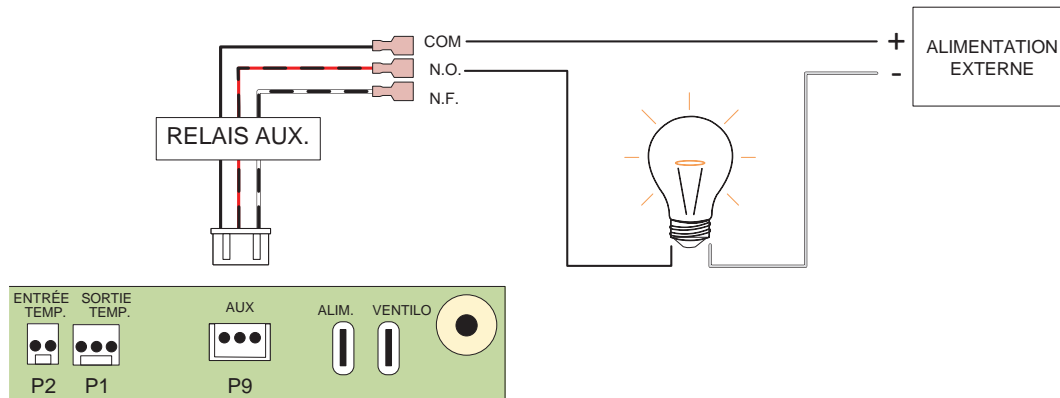


Figure 145. Relais auxiliaire

Les terminaux normalement fermés (NC) et normalement ouverts (NO) peuvent commuter une vanne à 3 voies. Ces dispositifs sont habituellement alimentés à 24 V ou moins.

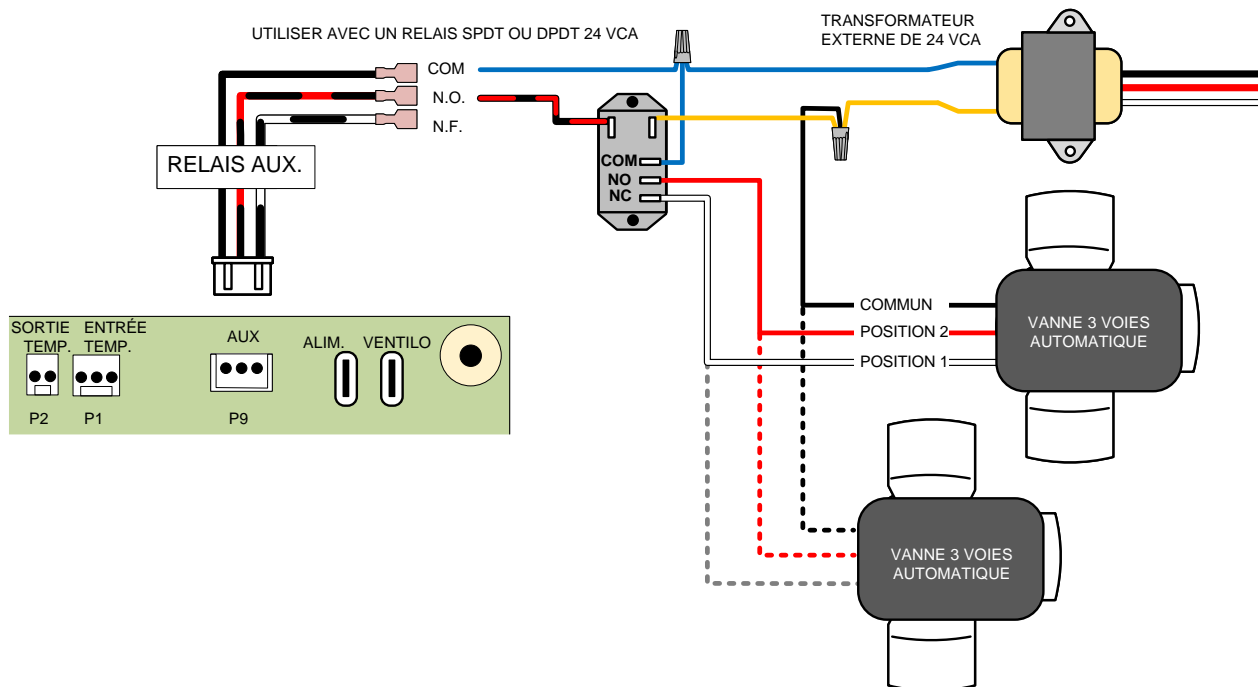


Figure 146. Vanne à 3 voies

NOTE: assurez-vous de sélectionner des relais et contacteurs dont les valeurs nominales correspondent aux exigences de votre application.

Pour commander une pompe, un ventilateur ou tout autre accessoire de plus de 3 A, utilisez un relais SPDT externe (non fourni).

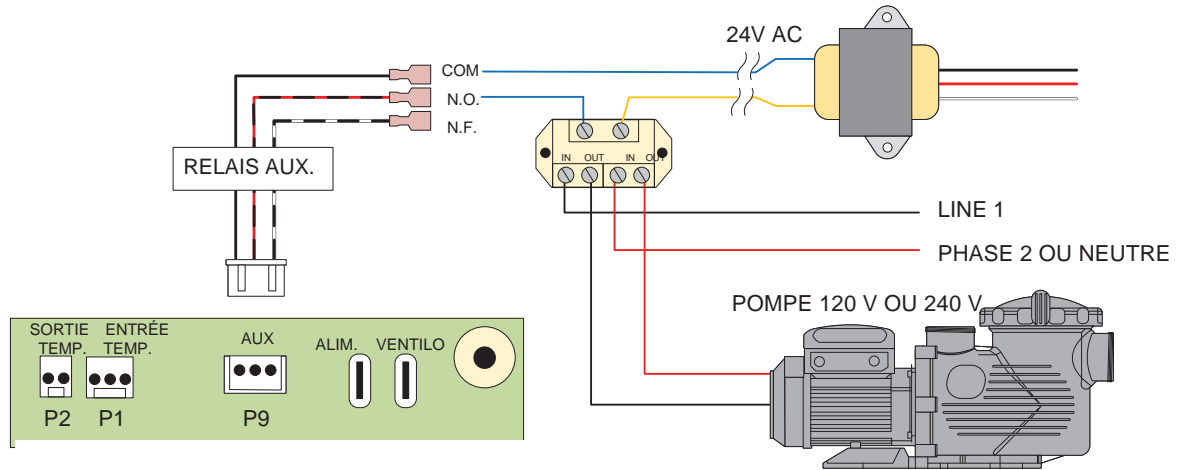


Figure 147. Application haute puissance avec relais SPDT (non fourni)

14. PIÈCES DE RECHANGE

NOTE: pour vous assurer de recevoir la bonne pièce, il est important de fournir le numéro de modèle, le numéro de série et le type de gaz (si appareil à combustible).

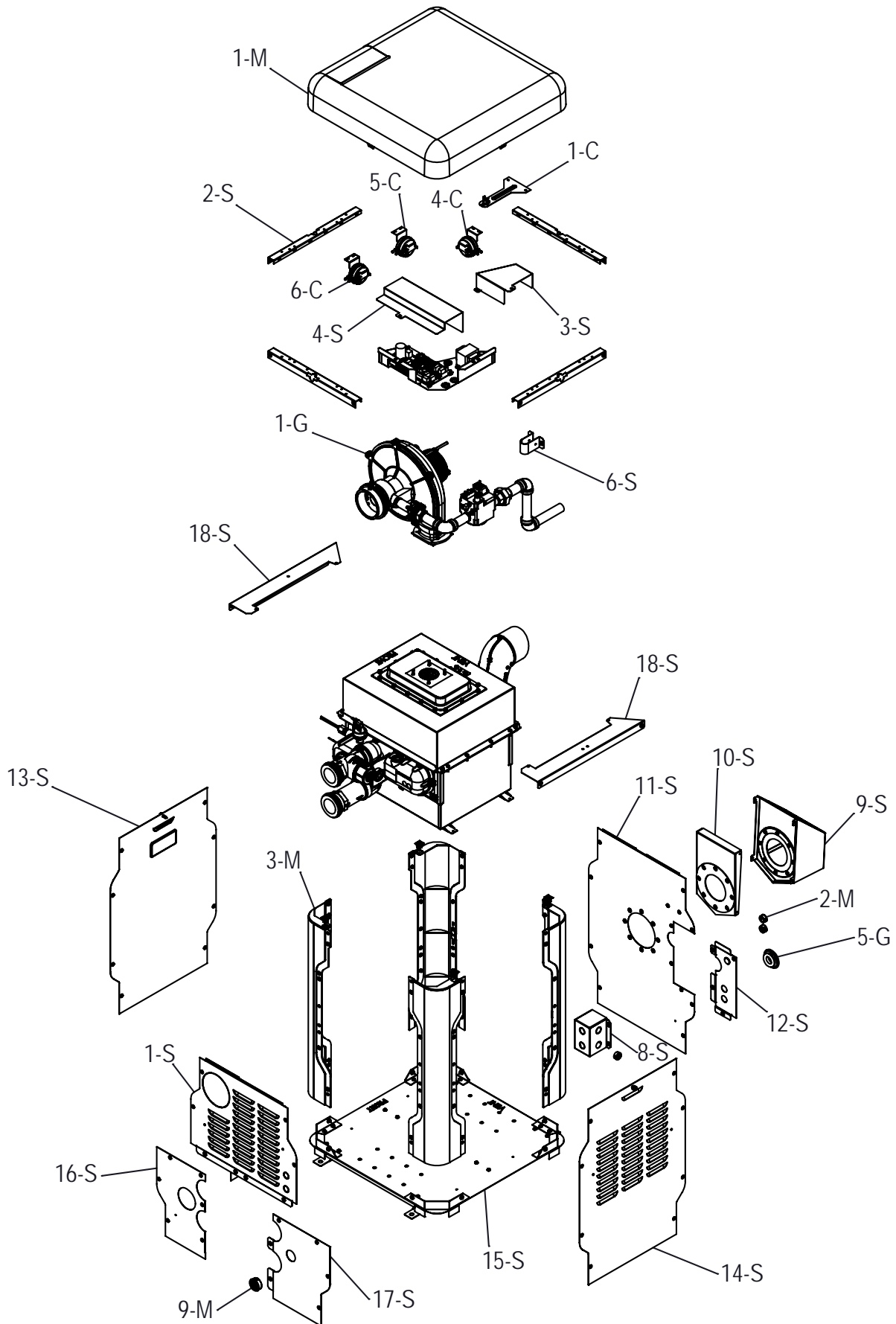
Toute pièce retournée pour remplacement au titre de la garantie standard doit porter l'étiquette de retour Raypak complètement remplie, notamment le numéro de série du chauffe-eau, le numéro de modèle, etc. et expédiée à Raypak en port prépayé.

Si nous déterminons que la pièce est défectueuse dans les limites de la garantie, une pièce identique ou équivalente vous sera envoyée, port dû. Nous n'émettons pas de note de crédit.

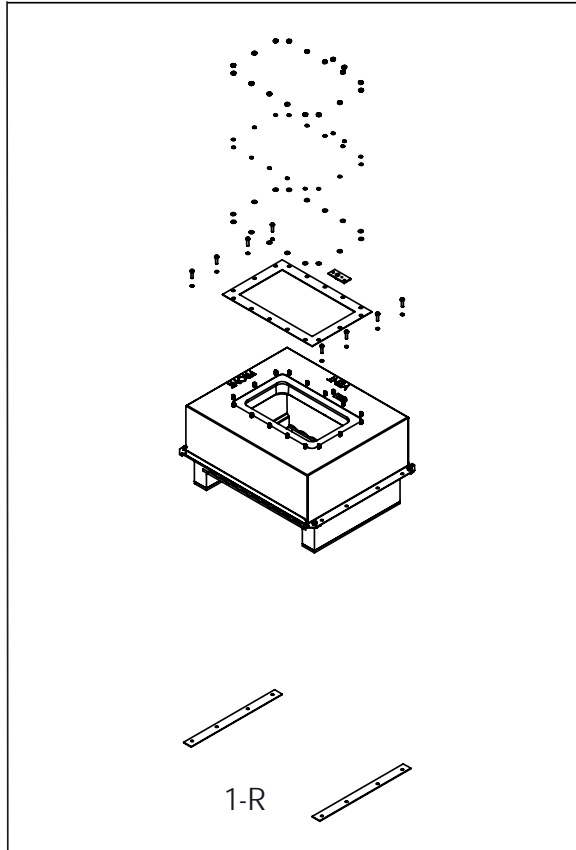
FABRICANT:

Av. New York 207, Parque Industrial Oradel, C.P. 88285
Nuevo Laredo Tamps. Mexico

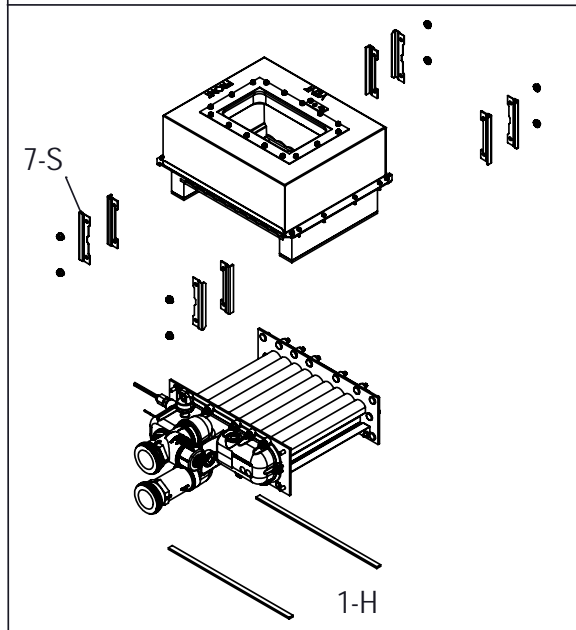
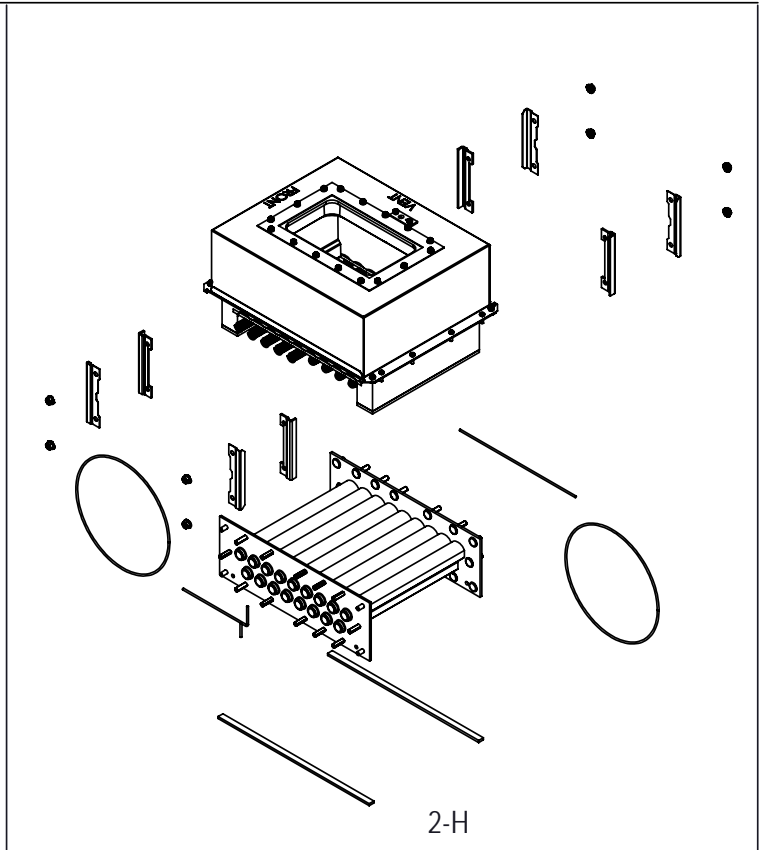
15. LISTE DE PIÈCES ILLUSTRÉES



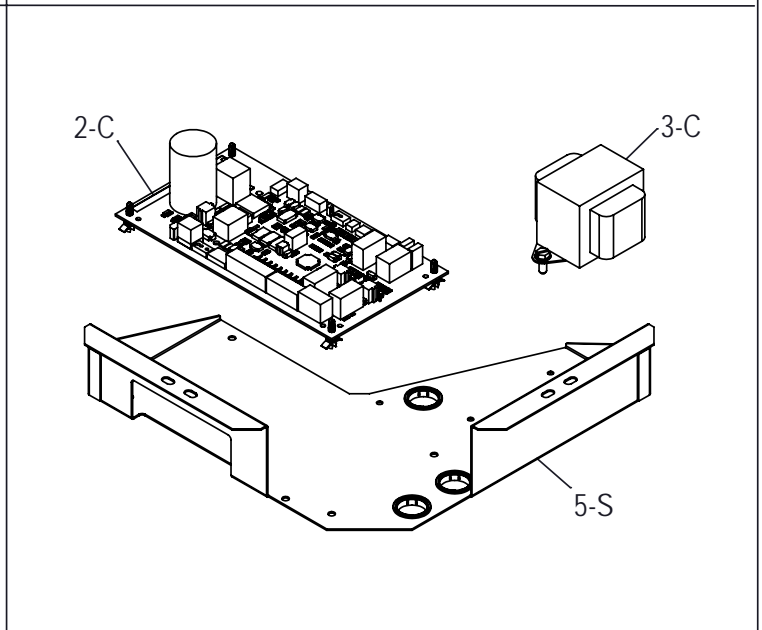
ASS. RÉFRACTAIRE



FAISCEAU DE TUBES



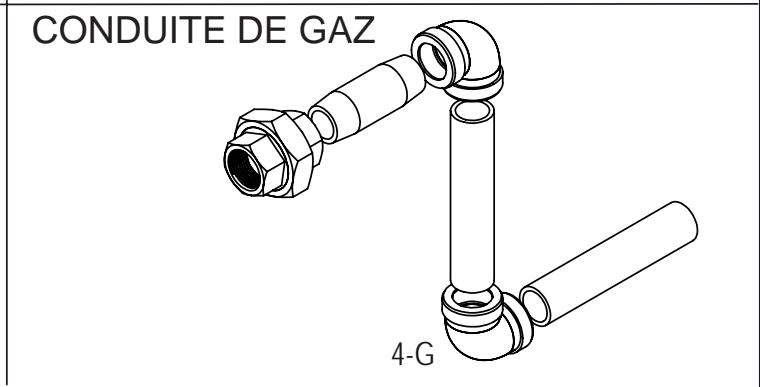
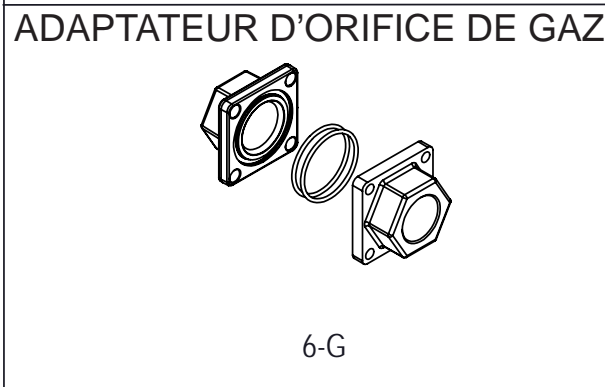
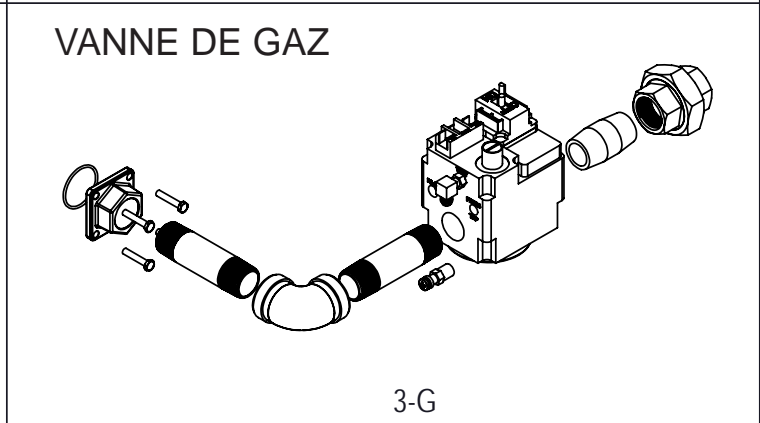
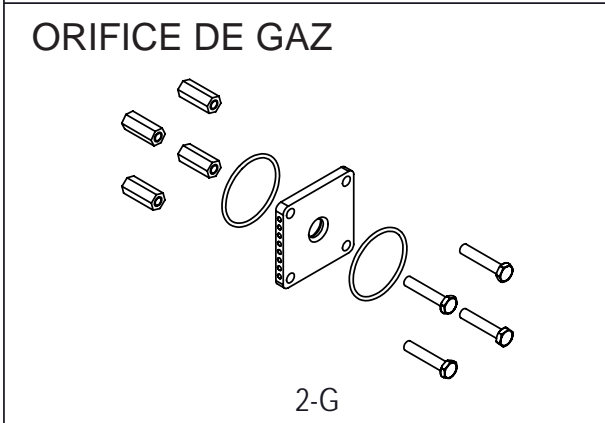
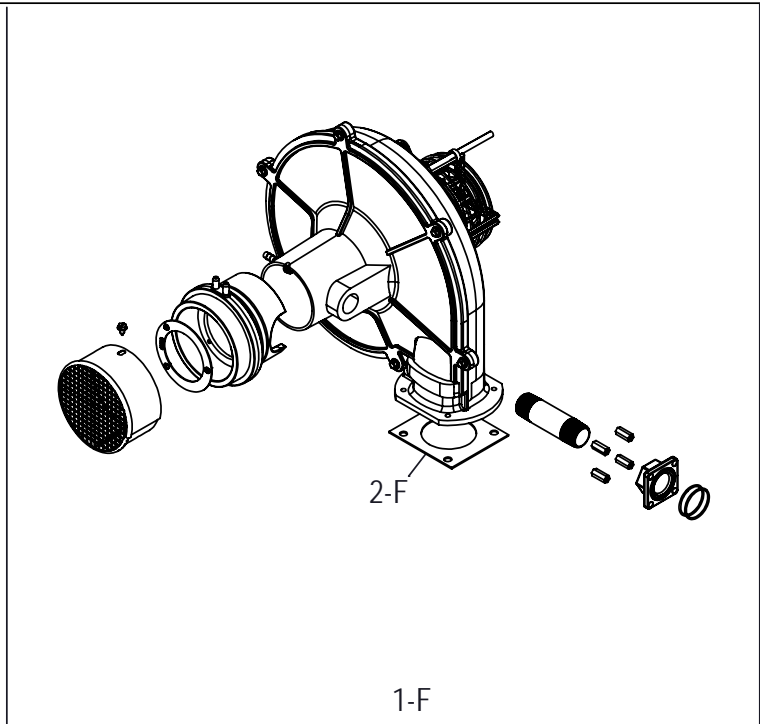
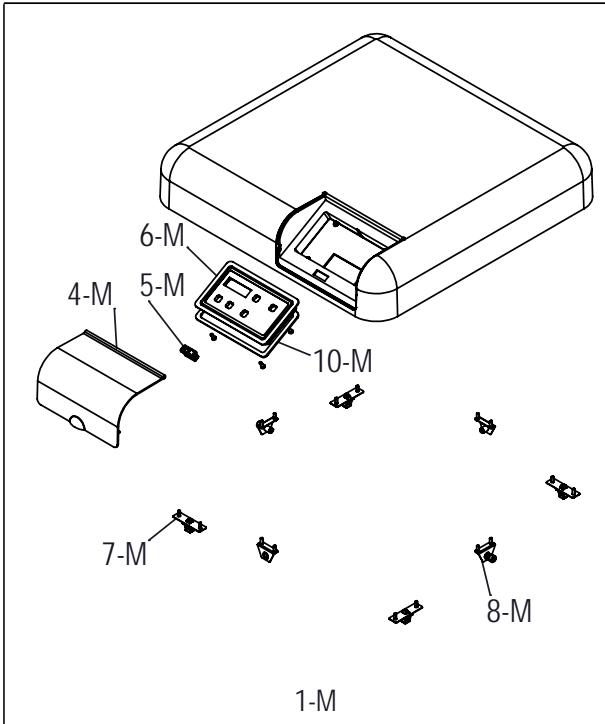
ÉCHANGEUR DE CHALEUR



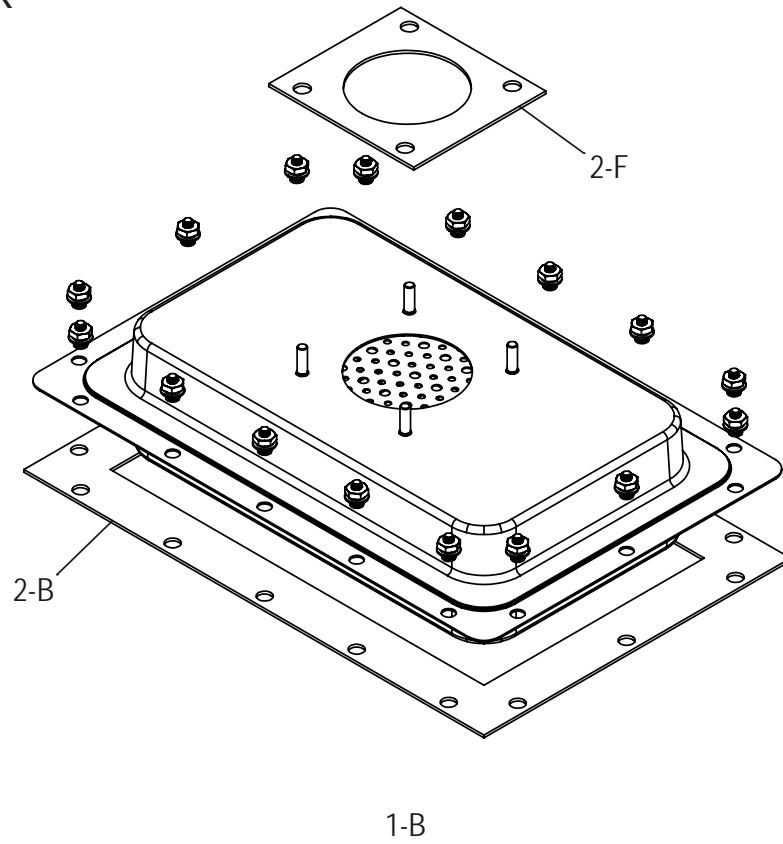
CARTE XFO D'ALLUMAGE

COUVERCLE SUPÉRIEUR

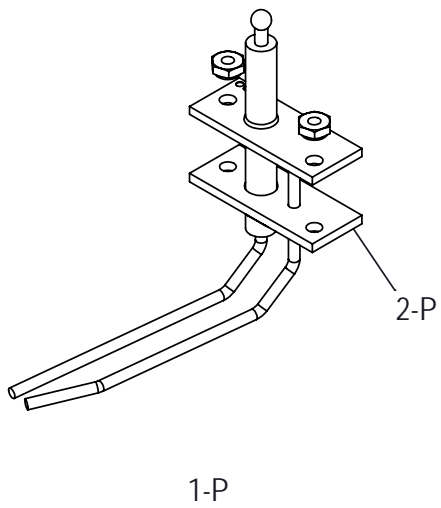
ASS. VENTILATEUR



ASS. BRÛLEUR



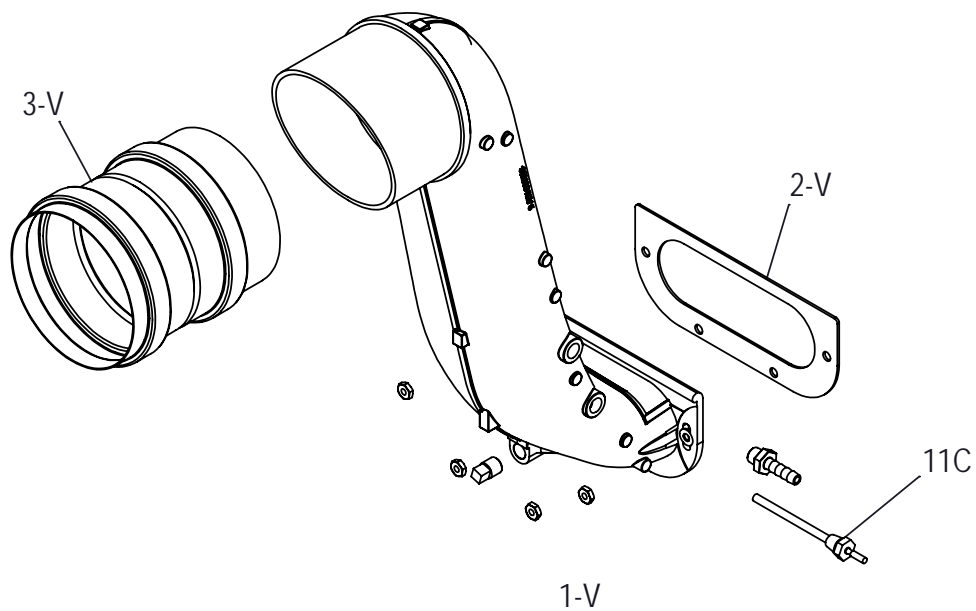
ALLUMEUR



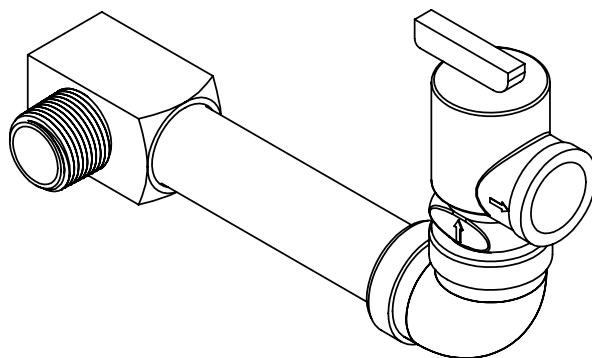
FIL D'ALLUMEUR



RACCORD D'ÉVACUATION, ADAPTATEUR ET CAPTEUR DE TEMP.

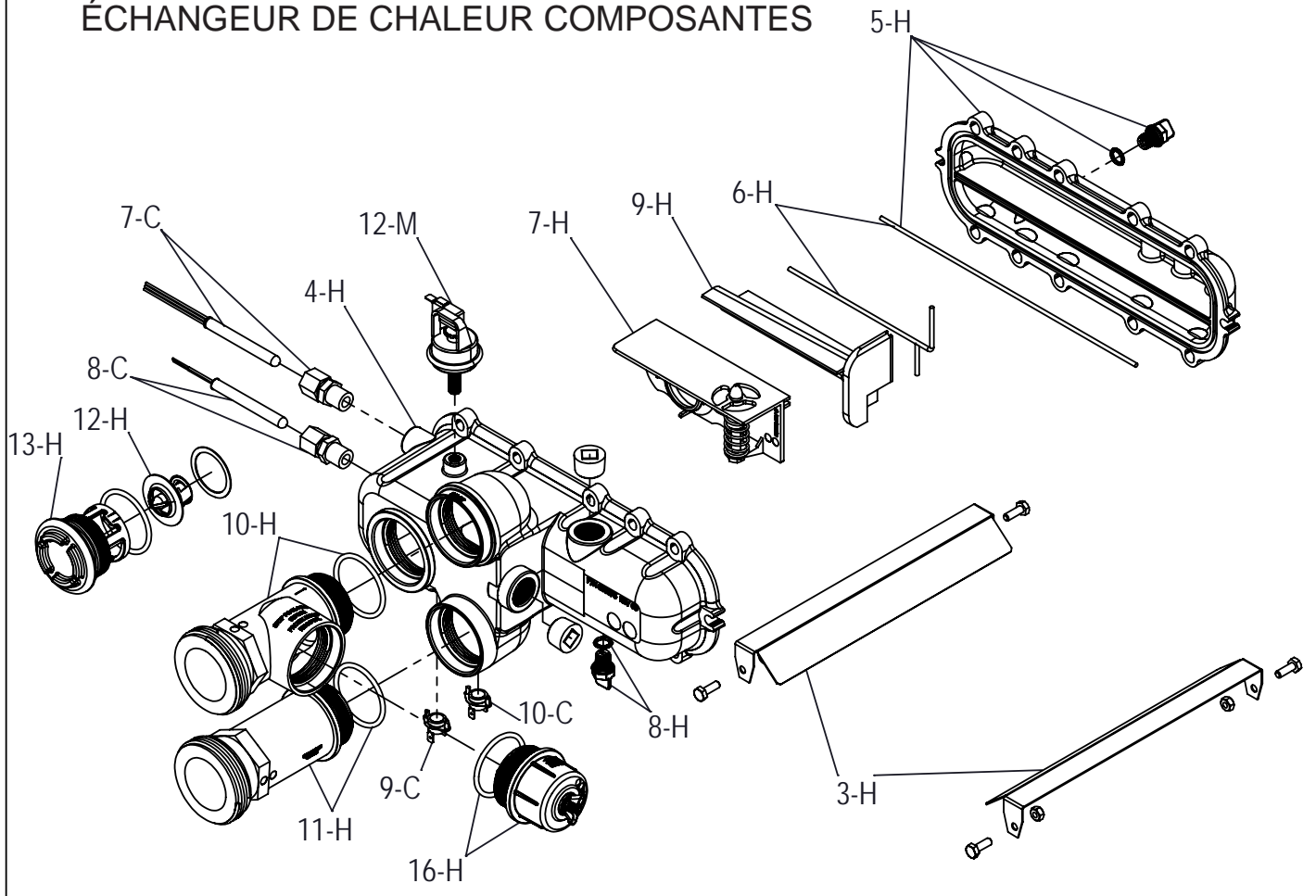


SOUPAPE DE
SURPRESSION

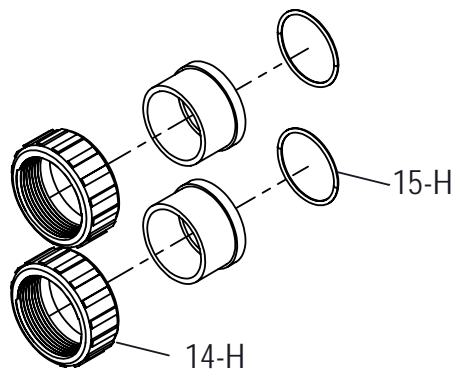


11-M (OPTIONAL)

ÉCHANGEUR DE CHALEUR COMPOSANTES



RACCORDS CPVC



APPELEZ	DESCRIPTION	264A	404A
B BRÛLEUR			
1-B	Kit-Brûleur	018873F	018873F
2-B	Kit-Joint Brûleur	018878F	018878F
C LES CONTRÔLES			
1-C	Limite du capteur de température du kit	018853F	018853F
2-C	Kit-Allumage Conseil	018857F	018933F
3-C	Kit-Transformateur 120/240/24V	018858F	018858F
4-C	Trousse d'évent à pression	018928F	018928F
5-C	Kit-Pression Air	018929F	018929F
6-C	Différentiel Kit-Pression	018930F	018931F
7-C	Kit-Capteur de température d'entrée	009577F	009577F
8-C	Kit-Sonde de sortie de température	019043F	019043F
9-C	Kit-High Limit 2-HL2-Montage en surface	019044F	019044F
10-C	Kit-High Limit 1-HL1-Montage en surface	019045F	019045F
11-C	Kit-Capteur de température d'évent	019046F	019046F
F VENTILATEUR			
1-F	Kit-Blower Peigne Air	018865F	018961F
2-F	Kit-Joint de soufflante	018898F	018898F
G ROBINET DE GAZ			
1-G	Assemblage de ventilateur/train de gaz Kit-Blower/Gaz Train Naturel (0-4500 Pi) Kit-Blower/Gaz Train Propane (0-4500 Ft)	018861F 018863F	018862F 018864F
2-G	Orifice de gaz Kit-Gaz Orifice Naturel (0-4500 Ft) Trousse d'orifice de gaz propane (0-4500 pi)	018866F 018868F	018867F 018869F
3-G	Kit-vanne à gaz avec demi-conduite de gaz	018870F	018870F
4-G	Kit-extrémité de ligne de gaz	018871F	018871F
5-G	Kit-passe-fil de conduite de gaz	010778F	010778F
6-G	Orifice de gaz Kit-adaptateur	018926F	018926F
H ÉCHANGEUR DE CHALEUR			
1-H	Kit-échangeur de chaleur (comprend le réfractaire)	018900F	018901F
2-H	Kit-Echangeur de Chaleur Plastique Nickelé Ensemble Kit-Tube (comprend le réfractaire)* Kit-Tube Bundle Nickel Coated	019383F 018849F 019387F	019384F 018850F 019388F
3-H	Kit-Échangeur de Chaleur Déflecteur	019047F	019048F
4-H	Kit-En-tête d'entrée/sortie complet Kit-En-tête d'entrée/sortie	019049F 019050F	019049F 019050F
5-H	En-tête de retour de kit	019051F	019051F
6-H	Kit de joint de culasse (2)	019052F	019052F
7-H	Kit-Bypass Assy	019054F	019056F
8-H	Kit Bouchon Vidange Piscine	006721F	006721F
9-H	Barrage d'en-tête Kit-Entrée/Sortie	019059F	019059F
10-H	Kit d'adaptateur d'en-tête d'entrée	019060F	019060F
11-H	Adaptateur d'en-tête de sortie de kit	019061F	019061F
12-H	Kit-Unitherm Gouverneur	019062F	019062F
13-H	Kit-Unitherm Régulateur Bouchon Polymère	006720F	006720F
14-H	Trousse de connecteur et écrou en CPVC de 2 po (2)	006723F	006723F
15-H	Kit-O Ring Entrée/Sortie Piscine (2)	006724F	006724F
16-H	Kit-ProTek Shield Assy	017960F	017960F

*AVERTISSEMENT: Les conditions hydrauliques ou la chimie de l'eau qui ont provoqué la défaillance du faisceau de tubes ont très probablement également endommagé la vanne de dérivation. Nous recommandons d'inspecter l'ensemble de dérivation. Le non-respect de cette consigne pourrait entraîner une défaillance prématurée de cette pièce de rechange.

APPELEZ	DESCRIPTION	264A	404A
M COMPOSANTS DIVERS			
1-M	Kit-Top Cover Assy	018852F	018852F
4-M	Couvercle Kit-Top	018902F	018902F
5-M	Kit-Interrupteur à bascule SPST	009493F	009493F
6-M	Kit-Lunette	018904F	018904F
7-M	Kit-Top Clip Assy	018905F	018905F
8-M	Ensemble de vis moletées Kit-Top	018906F	018906F
10-M	Kit-Joint Lunette	018921F	018921F
2-M	Kit-passe-câble d'alimentation	018884F	018884F
3-M	Kit-poteau d'angle	018891F	018891F
9-M	Kit-Passe-fil PRV	018920F	018920F
11-M	Kit-Ligne PRV	018936F	018936F
12-M	Kit-Pressostat 1.75 PSI	006737F	006737F
22-M	Kit-Pressostat 11 PSI Special-See Water Pressure Switch Adj. (Pas montré)	009133F	009133F
13-M	Connecteur Kit-Wire Bonding 14/6	007155F	007155F
14-M	Kit-Tube d'échantillonnage d'air (ventilateur/ventilateur/pressostat d'air)	010348F	010348F
15-M	Kit de fil/faisceau (non illustré)	019064F	019064F
16-M	Peinture de retouche (non illustrée)		
	Gris foncé froid	750256	750256
	Gris foncé chaud	750258	750258
	Bordeaux	750265	750265
17-M	Kit de détartrage (non illustré)	052871F	052871F
18-M	Scellant RTV 2,8 oz (non illustré)	008924F	008924F
19-M	Scellant RTV 10 oz (non illustré)	005755F	005755F
20-M	Kit-Elevation Propane (non illustré)	018762F	018762F

APPELEZ	DESCRIPTION	264A	404A
P	PILOTE		
1-P	Kit-Allumeur Direct Spark	018874F	018874F
2-P	Kit-Joint Allumeur	018879F	018879F
3-P	Fil de tension Kit-Hi	018875F	018875F
R	RÉFRACTAIRE		
1-R	Kit-Réfractaire Assy	018848F	018848F
S	TÔLE / ARMOIRE		
1-S	Ensemble de panneau supérieur droit du kit Raypak/Rheem/Ruud (gris foncé froid) Jacuzzi (Beige)	018851F 018973F	018851F 018973F
2-S	Kit-Cabinet Top Support	018854F	018854F
3-S	Kit-Transformateur Couverture	018855F	018855F
4-S	Kit-Couvercle de la carte d'allumage	018856F	018856F
5-S	Kit de montage sur carte d'allumage	018859F	018859F
6-S	Kit-Anti Rotation Vanne Gaz Support	018860F	018860F
7-S	Joint de chambre Kit-Peigne	018872F	018872F
8-S	Kit-boîte de jonction	018876F	018876F
9-S	Ensemble de couvercle de ventilation	018881F	018881F
10-S	Panneau de montage Kit-Vent Raypak/Rheem/Ruud (gris foncé froid) Jacuzzi (Beige)	018882F 018977F	018882F 018977F
11-S	Évent latéral gauche du panneau de kit Raypak/Rheem/Ruud (gris foncé froid) Jacuzzi (Beige)	018883F 018976F	018883F 018976F
12-S	Couvercle de boîte de jonction Kit-Panel Raypak/Rheem/Ruud (gris foncé froid) Jacuzzi (Beige)	018885F 018975F	018885F 018975F
13-S	Kit-Panneau Avant Raypak (marron) Rheem (gris foncé chaud) Ruud (gris foncé froid) Jacuzzi (Beige)	018888F 018889F 018887F 018890F	018888F 018889F 018887F 018890F
14-S	Kit-Panneau Arrière Raypak (marron) Rheem/Ruud (gris foncé froid) Jacuzzi (Beige)	018893F 018894F 018895F	018893F 018894F 018895F
15-S	Ensemble de base de kit	018892F	018892F
16-S	Kit-Bas Droit Panneau UG Raypak/Rheem/Ruud (gris foncé froid) Jacuzzi (Beige)	018896F 018978F	018896F 018978F
17-S	PRV du panneau inférieur droit du kit Raypak/Rheem/Ruud (gris foncé froid) Jacuzzi (Beige)	018897F 018974F	018897F 018974F
18-S	Support de chambre Kit-Peigne	018899F	018899F
V	VENTILATION		
1-V	Kit d'évacuation des fumées	018877F	018877F
2-V	Joint d'échappement Kit-Flue	018880F	018880F
3-V	Kit-Adaptateur de conduit 4" SS	018932F	018932F
TROUSSES DE CONVERSION*			
	Nat. à Pro.	018866F	018867F
	Pro. à Nat.	018868F	018869F

* Les conversions de gaz ne doivent être effectuées que par un organisme qualifié.

16. INSTRUCTIONS IMPORTANTES POUR LE COMMONWEALTH DU MASSACHUSETTS

Le Commonwealth of Massachusetts exige que l'installation d'appareils à évacuation directe dont le conduit traverse un mur soit conforme au 248 CMR 4,00 et 5,00, comme ci-après:

(a) Tout appareil au gaz à évacuation murale, dont le conduit d'évacuation est installé à l'horizontale et qui est installé dans tout logement, bâtiment ou structure utilisé en tout ou en partie à des fins résidentielles, y compris ceux qui sont la propriété de l'État du Massachusetts, et où la terminaison du conduit d'évacuation se trouve à moins de 7 pi au-dessus du niveau du sol, y compris notamment une terrasse ou un porche, les conditions qui suivent doivent être respectées:

1. **INSTALLATION DE DÉTECTEURS DE MONOXYDE DE CARBONE** Au moment de l'installation d'équipement au gaz dont le conduit d'évacuation est installé à l'horizontale, le plombier ou le technicien de gaz chargé de l'installation doit s'assurer qu'un détecteur de monoxyde de carbone à raccordement électrique fixe et muni d'une alarme ainsi que d'une pile de secours est installé à l'étage où se trouve l'équipement au gaz. De plus, le plombier ou le technicien de gaz chargé de l'installation doit s'assurer qu'un détecteur de monoxyde de carbone à pile où à raccordement électrique fixe et muni d'une alarme, est installé sur tous les autres étages d'un logement, d'un bâtiment ou d'une structure où se trouve l'équipement au gaz dont le conduit d'évacuation est installé à l'horizontale et se termine sur un mur extérieur. Il incombe au propriétaire de s'assurer les services de professionnels licenciés et qualifiés pour l'installation des détecteurs de monoxyde de carbone à raccordement électrique fixe.

a. Si l'équipement au gaz dont le conduit d'évacuation est installé à l'horizontale est installé dans un vide sanitaire ou un grenier, le détecteur de monoxyde de carbone à raccordement électrique fixe et muni d'une alarme ainsi que d'une pile de secours peut être installé à l'étage adjacent.

b. Si les conditions de ce règlement ne sont pas remplies au moment de la fin des travaux d'installation, le propriétaire bénéficie d'une période de grâce de 30 jours pour se conformer aux conditions énumérées ci-dessus, à la condition qu'un détecteur de monoxyde de carbone à pile muni d'une alarme soit installé pendant toute ladite période.

2. **DÉTECTEURS DE MONOXYDE DE CARBONE APPROUVÉS** Les détecteurs de monoxyde de carbone requis par les dispositions précédentes doivent être conformes à la norme NFPA 720, être homologués selon la norme ANSI/UL 2034 et certifiés par IAS.

3. **AFFICHAGE** Une affiche de métal ou de plastique doit être montée de façon permanente à l'extérieur du bâtiment, à une hauteur minimale de 8 pieds du sol et directement en ligne avec la terminaison du conduit d'évacuation installé à l'horizontale d'un appareil ou équipement au gaz. L'affiche doit comporter le texte suivant : « CONDUIT D'ÉVACUATION DIRECTEMENT CI-DESSOUS. NE PAS OBSTRUER. »

4. **INSPECTION.** L'inspecteur local chargé de l'inspection d'appareils au gaz dont le conduit d'évacuation est installé à l'horizontale doit approuver l'installation uniquement s'il constate la présence de détecteurs de monoxyde de carbone et d'affiches,

en conformité avec les dispositions 248 CMR 5.08(2)(a) , alinéas 1 à 4.

(b) **EXONÉRATION:** L'équipement suivant est exonéré de l'application des dispositions 248 CMR 5,08(2)(a), alinéas 1 à 4:

1. L'équipement cité dans le chapitre 10 ("Equipment Not Required To Be Vented"), de la plus récente édition du code NFPA 54 adoptée par le Conseil; et

2. L'équipement au gaz dont le conduit d'évacuation spécial est installé à l'horizontale et qui est installé dans une pièce ou une structure séparée du logement, du bâtiment ou d'une structure utilisée en tout ou en partie à des fins résidentielles.

(c) **EXIGENCES DU FABRICANT - SYSTÈME D'ÉVACUATION SPÉCIAL FOURNI.** Lorsque le fabricant de l'appareil au gaz dont le conduit d'évacuation est installé à l'horizontale fournit un système d'évacuation spécial, les directives d'installation de l'appareil et du système d'évacuation spécial doivent comporter:

1. Des instructions d'installation détaillées du système d'évacuation spécial ou de ses composantes;

2. Une liste de pièces complète du système d'évacuation spécial ou de ses composantes.

(d) **EXIGENCES DU FABRICANT - SYSTÈME D'ÉVACUATION SPÉCIAL NON FOURNI.** Lorsque le fabricant de l'équipement au gaz approuvé dont le conduit d'évacuation est installé à l'horizontale ne fournit pas les composantes d'évacuation des gaz de combustion, mais qu'il fait référence à un « système d'évacuation spécial », les exigences suivantes doivent être respectées:

1. Le manuel du système d'évacuation spécial doit être inclus avec l'appareil ou les instructions d'installation de l'appareil; et

2. Le système d'évacuation spécial en question doit être approuvé par le Conseil. De plus, le manuel de ce système doit inclure une liste de pièces détaillée ainsi que des directives d'installation détaillées.

(e) Dans le cas de tout équipement au gaz approuvé dont le conduit d'évacuation est installé à l'horizontale: les directives d'installation de l'appareil, les directives d'installation du conduit d'évacuation, les listes de pièces et toutes autres directives liées à l'évacuation des gaz de combustion doivent être conservées à proximité de l'appareil à la fin de l'installation.

SURVEILLANCE DE LA PRESSION DE GAZ

Le Commonwealth du Massachusetts exige la présence de capteurs de haute et basse pression à réinitialisation manuelle sur tout appareil dont la puissance d'entrée est supérieure à 1 000 000 BTU/h, conformément à la norme 248 CMR 7.04(11) (d).

Un régulateur de pression de gaz (non fourni) est requis dans la canalisation en amont d'un appareil de chauffage dont la puissance d'entrée est supérieure à 1 000 000 BTU/h, conformément à la norme 248 CMR 7.04 Figure 3B.

