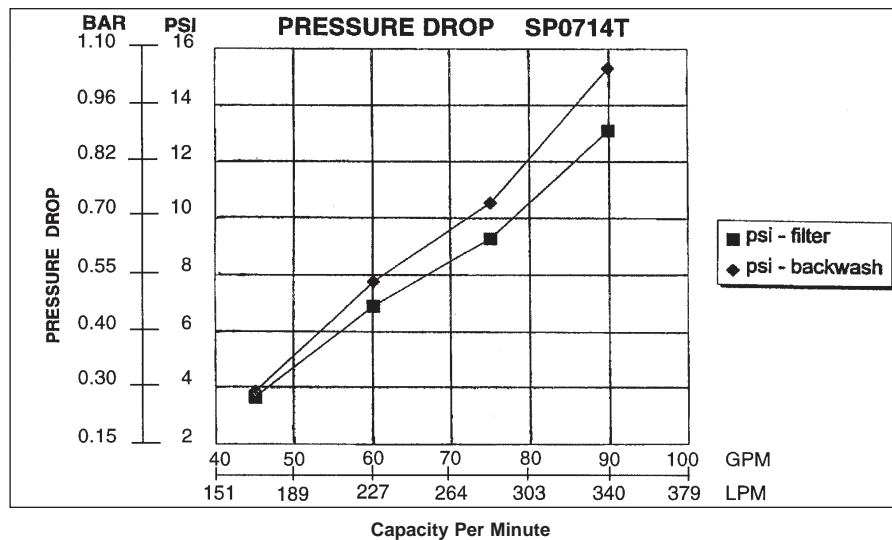
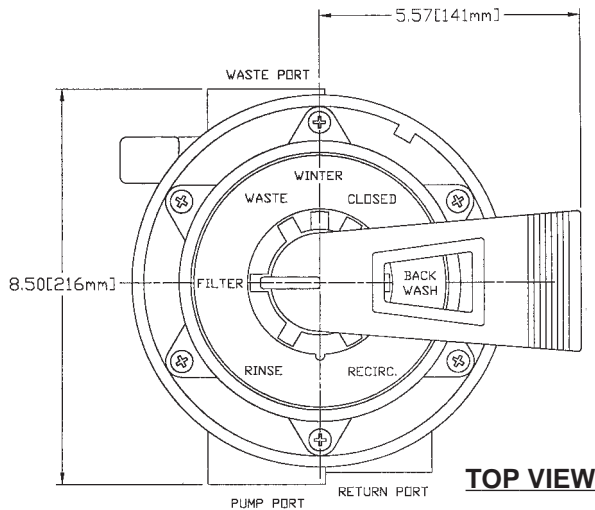
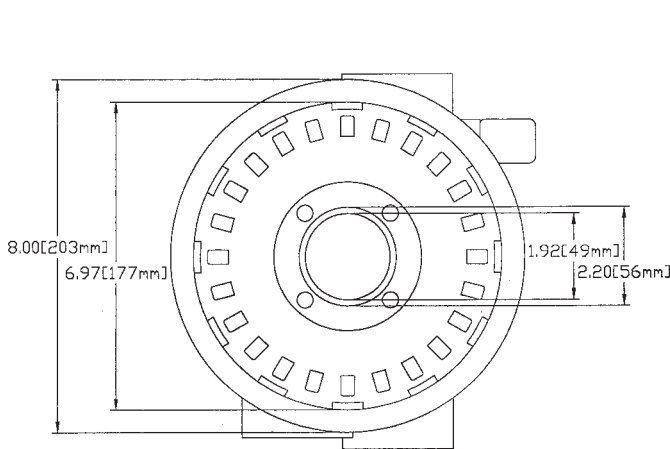
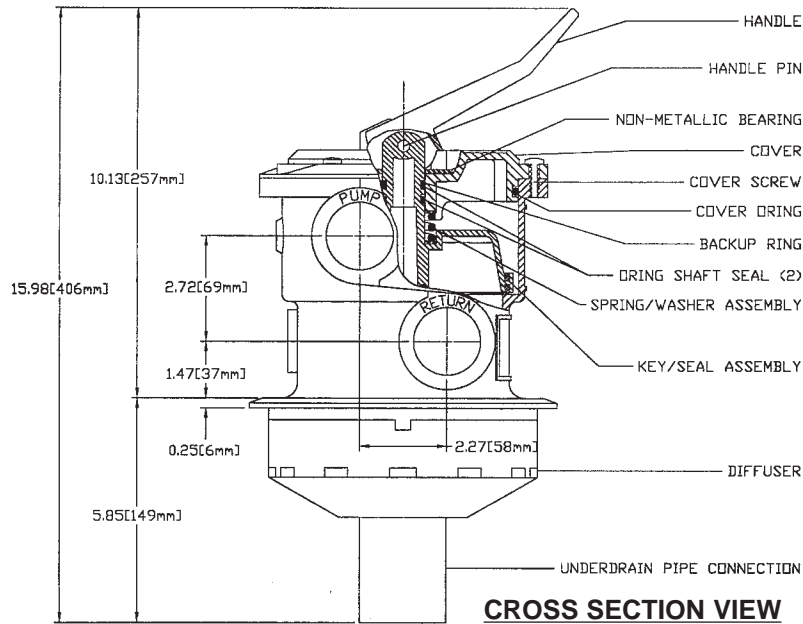




INSTRUCTION SHEET

SP0714T Series *Vari-Flo*TM XL Valve



FUNCTIONS OF VALVE POSITIONS

VALVE SETTING	FLOW DIRECTION THROUGH VALVE
FILTER	PUMP - TOP - THROUGH FILTER - BOTTOM - RETURN For normal filtration and vacuuming pool through filter.
BACKWASH	PUMP - BOTTOM - THROUGH FILTER - TOP - WASTE For reversing flow for cleaning filter.
RINSE	PUMP - TOP - THROUGH FILTER - BOTTOM - WASTE For initial start-up cleaning, plus resetting filter bed after backwashing.
WASTE	PUMP - WASTE For vacuuming directly to waste, lowering pool level/draining pool.
CLOSED	NO CIRCULATION PAST PUMP PORT For shutting off all flow to filter and pool.
RECIRCULATE	PUMP - RETURN For bypassing filter, but circulating pool water. May be plumbed for "off-system" pool water access. Ideal for Jet-Air® fittings.
WINTER	VALVE NOT IN USE.

GENERAL

1. **OPTIONAL:** A pipe tap boss is provided for use of a pressure gauge.
2. **PLUMBING:** Piping stops are provided. **IMPORTANT: Do not overtighten pipe fittings. Proper fitting make-up is hand tight plus one to 1-1/2 turns maximum.** Always use Teflon pipe tape or Permatex No. 2 for connections to provide a good, "living" seal. Add extra sealant if male pipe fitting is undersized.
3. **WINTERIZING:** Drain and winterize filter and pump per manufacturer's instructions. To drain water from Vari-Flo—depress and rotate valve handle and place handle pointer on raised portion of index hubs at any "Winter" position.
4. **SERVICING VALVE:** If it becomes necessary to service or gain access to the key or valve seat gasket:
 - a. Set handle in Winter position.
 - b. Remove cover screws.
 - c. Lift cover and key assembly out.
5. **RE-ASSEMBLY VALVE:**
 - a. Wipe debris from cover O-ring.
 - b. Set handle in Winter position. Align notch on cover with tab on body. Press down to seat assembly.
 - c. Secure assembly to body with cover screws. Start screw thread in existing thread in body. Tighten cover screws evenly and alternately. Do not overtighten.

SPECIAL INSTRUCTIONS:

1. **Disassembly of key and handle assembly:**
 - a. To remove handle pin: Depress handle to allow pin to clear indexing hub, and tap out handle pin with a drift pin or other solid pin bar.
 - b. Remove cover screws and remove parts. Note the proper position and sequence of all parts.
2. **Re-assembly:**
 - a. Place valve key on a smooth, firm surface (place a cloth underneath to protect the flat sealing surface).
 - b. Place parts on key and shaft in proper sequence—i.e., spring washer, spring, spring washer, cover, bearing, etc. Note: Make sure "Filter" position on cover is over "wedge" opening in key.
 - c. Firmly pressing down and holding cover to depress heavy-duty spring, align handle (with pointer to Filter) and secure handle with pin.
 - d. Assemble key assembly to valve as in (5)a ,b, and c above.



HAYWARD POOL PRODUCTS, INC.

Hayward Pool Products, Inc.
900 Fairmount Avenue
Elizabeth, NJ 07207

Hayward Pool Products, Inc.
2875 Pomona Boulevard
Pomona, CA 91768

Hayward Pool Products Canada
2880 Plymouth Drive
Oakville, Ontario L6H 5R4

Hayward S.A.
Zone Industrielle de Jumet
B - 6040 Charleroi (Belgium)