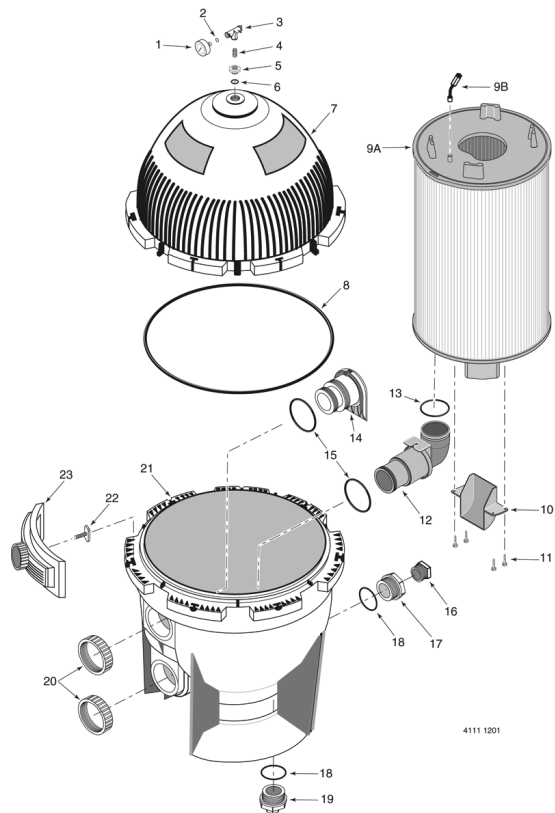


SYSTEM:3 SMD SERIES MODULAR D.E. FILTERS REPLACEMENT PARTS

REPLACEMENT PARTS

SYSTEM: 3 MODULAR D.E. FILTERS

Item No.	Part No.	Description
1	15060-0000T	Pressure Gauge 2 in.
3	WC212-120P	Air Release Valve
4	35202-0959	Nipple
5	24900-0504	Adapter Bushing
6	35505-1423	O-Ring
7	24851-9000	Upper Tank Half Kit ¹
8	24850-0008	Tank O-Ring
9A	25023-0160S	Replacement Module
9A	25023-0172S	Replacement Module
9B	24800-0120	Air Bleed Assembly ²
10	23910-0013S	Baffle Kit (with Screws) ²
11	37027-7028	Baffle Screws ²
12	23910-0100S	Elbow and Bulkhead Assembly ³



4111 1201

13 35505-7438 O-Ring

14 23910-0101S Deflector and Bulkhead Assembly

15 35505-1425 O-Ring

16 27001-0022 1-1/2 in. Plug

17 24900-0509 Adapter fitting

18 35505-1424 O-Ring

19 24900-0503 Sand Removal

20 24752-0050 Bulkhead Retaining Nut

21 24850-0102S Lower Tank Half

22 24850-0010 Clamp Bolt

23 24850-0200 Clamp Assembly

NOT SHOWN

Item No. Part No.

Description

23910-1100S System3 Modular DE Conversion Kit (Includes Key #'s 12, 13, 14, 15, 16)

1: Includes all decals and labels.

2: Included with Key No. 9A Replacement Module.

3: Includes O-Ring (Key No. 13).