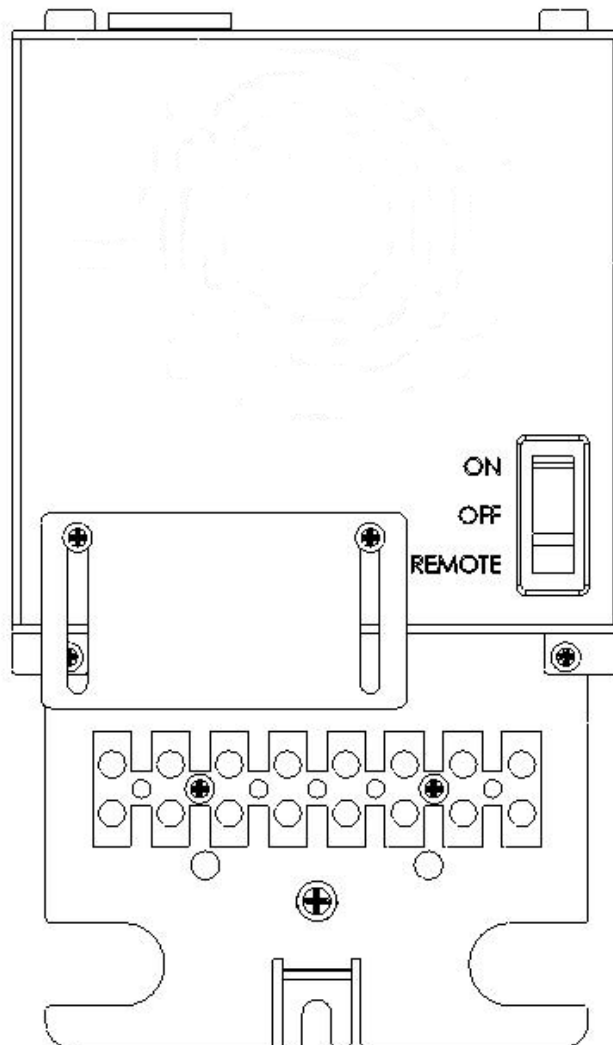


WIR-TRAN

Rated for use on 110/120VAC 60Hz applications

Installation Instructions: Read these instructions in its entirety before performing any installation work.

FOR USE WITH POOL AND SPA PRODUCTS



Conforms to UL STD 508;
Certified to CSA STD
C22.2 No. 14

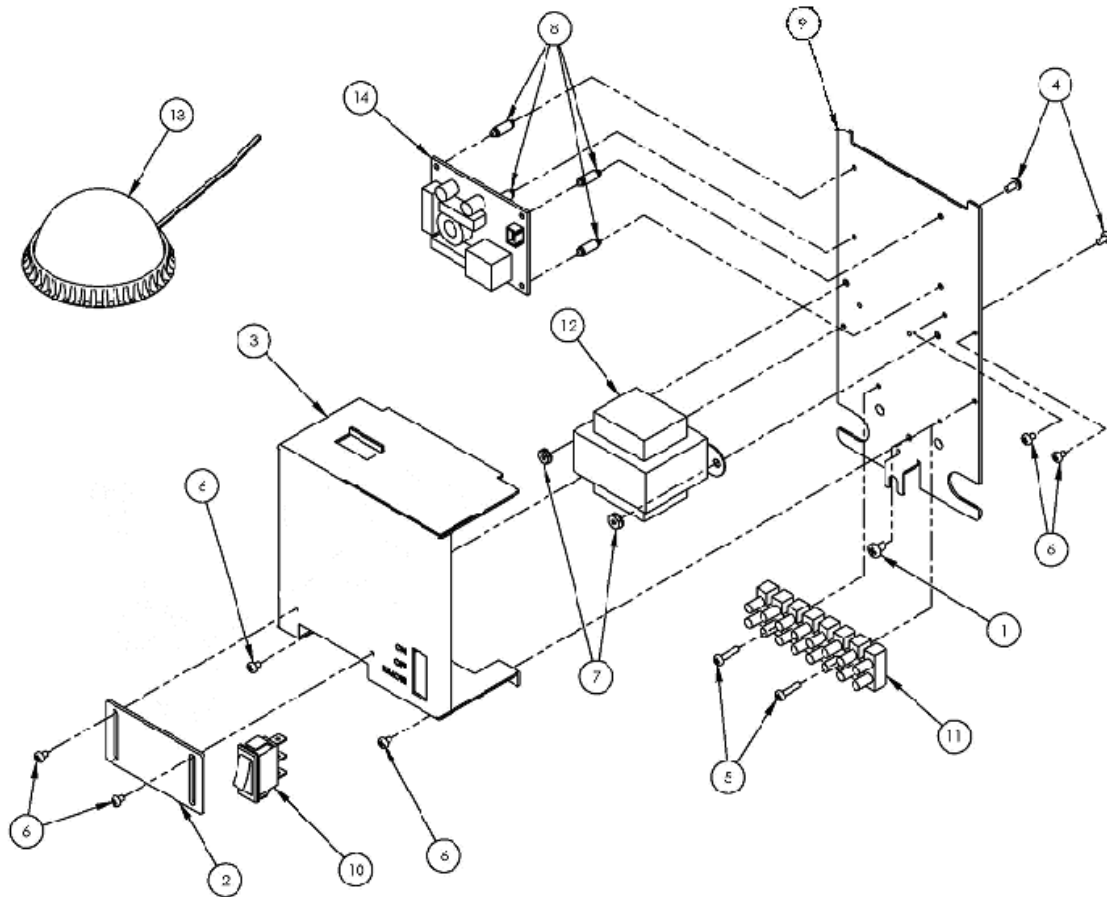


3091594

The WIR-TRAN, PAL consists of the following parts:

Item No.	Qty	Component part No.	Description
1	1	A10670	Screw, 8-32, 1/4" Length
2	1	02-15285-00	Relay Cover
3	1	02-15314-00	Bracket Mount Wirtran
4	2	10-15031-03	Screw, 6-32, 1/4" Length
5	2	10-15089-07	M3 Screw, 14MM Length
6	6	10-15089-01	M3 Screw, 4MM Length
7	2	11-15005-00	Nut 6-32, Star Lock
8	4	14-15032-00	PCB Standoff
9	1	72-15210-00	3 Position Rocker Switch
10	1	38-15012-00	8 Position Terminal Block
11	1	41-15004-08	Transformer 12V
12	1	44-15037-00	WPC Repeater
13	1	94-15092-00	PCB
14	1	95-15108-01	Base Plate

Accessory Item: WE-65 65 ft Repeater Cord Extension Kit





SAVE THESE INSTRUCTIONS!

IMPORTANT SAFETY INFORMATION

Basic safety precautions should be observed when operating the WIR-TRAN, PAL product and other associated equipment.

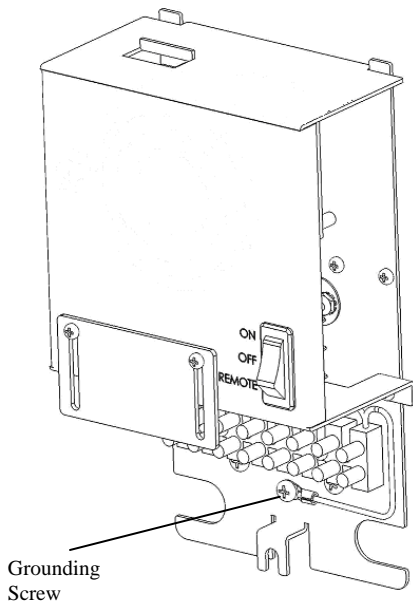
1. A qualified electrician must install the WIR-TRAN, PAL in accordance to the National and Local Electrical Codes.
2. The WIR-TRAN, PAL must not be less than 5 feet (3 meters in Canada) from inside edge of pool. **ONLY USE COPPER CONDUCTORS.**
3. Do not exceed the maximum ratings of individual components, wiring devices, and current carrying capacity of conductors.
4. For the bonding, grounding, installing, and wiring of underwater lights to the WIR-TRAN, PAL refer to Article 680 of the National Electrical Code or Article 68 of the Canadian Electrical Code.
5. This device should never operate equipment that could cause property damage, bodily injury, or death should it be activated unexpectedly.
6. Never allow children to operate the WIR-TRAN, PAL unsupervised.

FCC WARNING

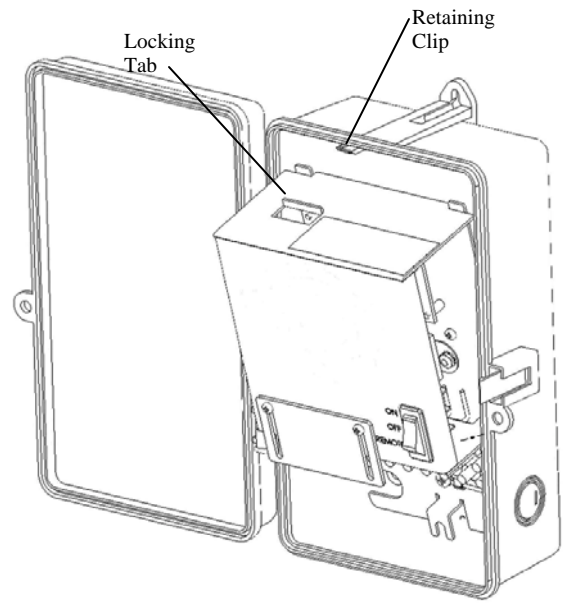
1. This device complies with Part 15 of the FCC Rules. Operation is subject to the following two conditions: (1) this device may not cause harmful interference, and (2) this device must accept any interference received, including interference that may cause undesired operation.
2. Changes or modifications not expressly approved by Fiberstars Inc. could void the user's authority to operate the equipment.

ELECTRICAL RATINGS

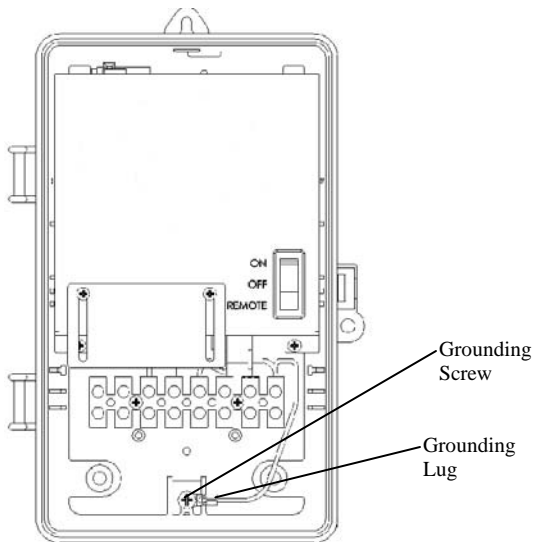
Do not exceed the maximum electrical ratings of the WIR-TRAN, PAL. Install a 20Amp 120VAC Circuit Breaker for PAL Light Input. Refer to pages 4 and 5 for installation instructions. PAL Light circuit is rated for 8Amp 120VAC Max.



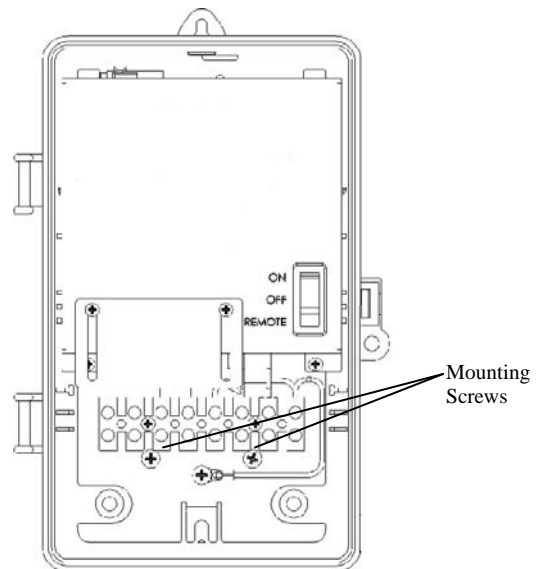
For use with the Intermatic 2T485GA enclosure, temporarily remove the grounding screw and save for use during installation.



Slide the WIR-TRAN, PAL into box as shown and rotate back until Locking Tab locks with Retaining Clip. (2T2502GA enclosure shown).



For 2T485GA installation:
 With the grounding screw that was removed earlier, screw down the bottom of the WIR-TRAN, PAL as illustrated. Note: Ensure the grounding lug is properly placed between the screw and mounting plate.



For 2T2502GA installation:
 Using the supplied mounting screws, secure the WIR-TRAN, PAL as illustrated using existing mounting locations on the 2T2502GA enclosure.

WARNING

- TURN OFF INCOMING POWER BEFORE SERVICING EQUIPMENT.
- ALL INSTALLATION AND MAINTENANCE WORK MUST BE PERFORMED BY QUALIFIED ELECTRICAL PERSONEL ONLY.
- VERIFY ALL ELECTRICAL RATINGS BEFORE INSTALLATION IS COMPLETE.

LOCATION

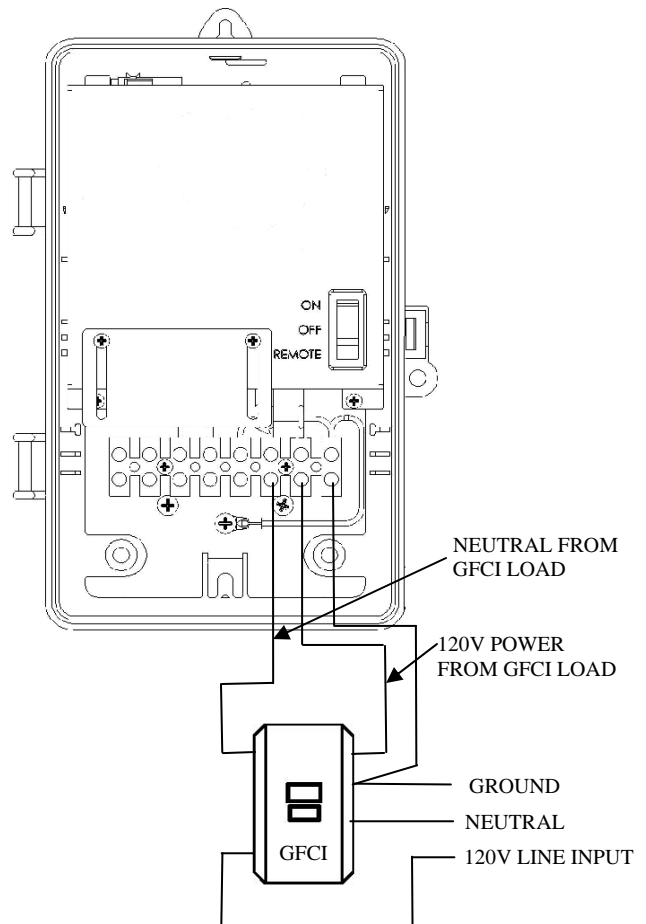
Install the WIR-TRAN, PAL enclosure using the mounting plates included with each enclosure. The WIR-TRAN, PAL is housed in a Type 3R rainproof enclosure and can be mounted anywhere between the pool equipment and the breaker panel.

WIRING INSTRUCTIONS

FOLLOW PROPER WIRING PRACTICES IN ACCORDANCE WITH ALL LOCAL REGULATORY REQUIREMENTS.

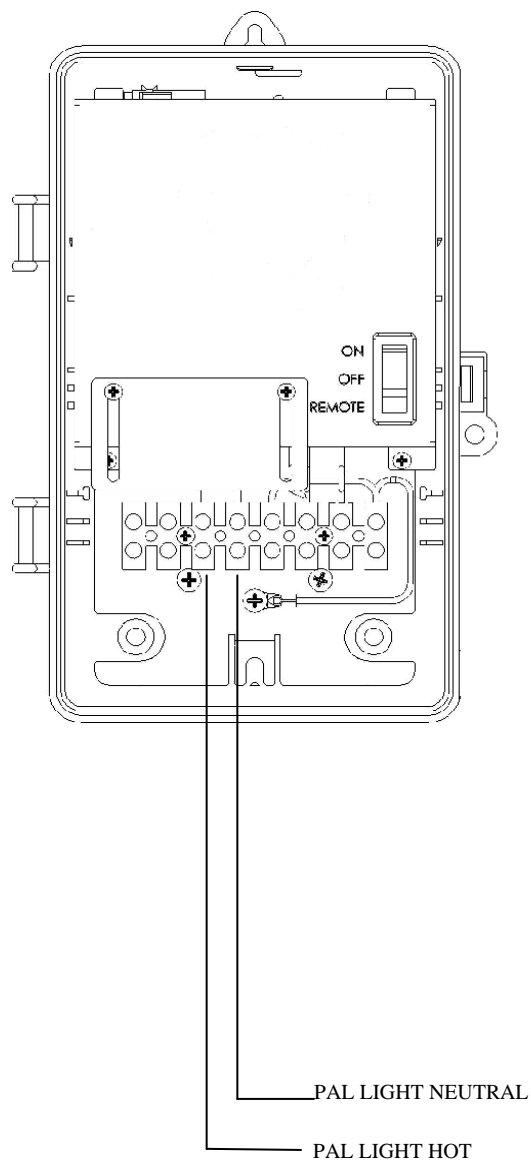
Power Connections:

To wire the WIR-TRAN, PAL use insulated **COPPER** wire only, 12 gauge minimum. Run a 1/2" to 3/4" conduit from the main breaker panel to the WIR-TRAN, PAL. Pull appropriate wires from the main breaker panel to the WIR-TRAN, PAL unit. To make power connections remove 3/8 inches of insulation from wire ends. Insert the bare end of wires under the pressure plate of terminals (Power Input, **HOT**). Use 1/8-in. flat head screwdriver to tighten terminal screws firmly (4.4 lb-in minimum). Connect a house common to the **POWER OUTPUT NEUTRAL**. Install a 20 Amp circuit breaker in the main breaker panel and connect the **HOT** wires from the WIR-TRAN, PAL.



Hooking up PAL Light to Circuit 1

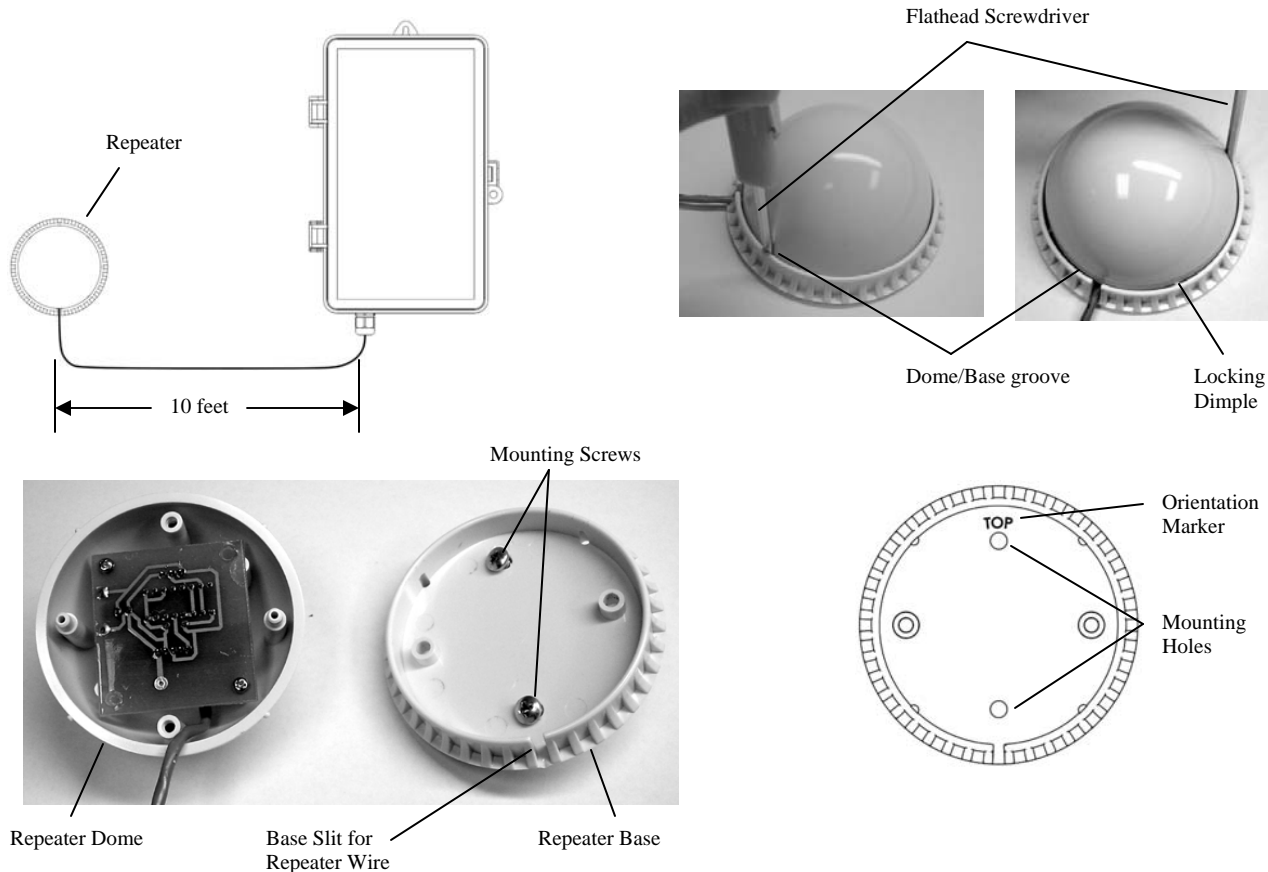
To connect the PAL light to the Circuit 1 switch, pull wires from the product to the WIR-TRAN, PAL through conduits connected to the bottom of the WIR-TRAN, PAL. As illustrated, connect the PAL light that will be operated by the Rocker Switch to the PAL Light Hot terminal. Connect the Neutral to the PAL Light Neutral terminal. Connect the Ground to the PAL Light Ground terminal. Do not demand of 30 watts @ 12V.



Repeater Mounting

The WIR-TRAN, PAL is equipped with a signal repeater that can be mounted up to 10 feet from the WIR-TRAN, PAL unit. This repeater receives signals from the wireless remote and sends that signal to the WIR-TRAN, PAL via the 10 foot cable. Establish a location for the Repeater that is in line of sight from where the wireless remote will be used most frequently and that is no more than 75 feet from furthest where the remote will be used. NOTE: If extension is needed, use Fiberstars part number WE-65 and follow installation instructions supplied with the Repeater Extension.

To mount the Repeater, carefully insert a small flathead screwdriver into groove between the Dome and Base approximately where the locking dimples are located. Pry the Dome out of the locking dimples. Then carefully insert the small flathead screwdriver into the groove between the Dome and the Base in an adjacent locking dimple and pry the Dome out. Then separate the Dome from the Base by hand. Using the supplied self-drilling screws, locate a suitable mounting surface and screw the base to this surface. (The Repeater must be mounted in plain sight not more than 75 feet from the point where the remote will be used.) Note that the marking “TOP” must be in the 12 o’clock position and the wire slit must be in the 6 o’clock position. Do not over tighten the screws as it may damage the Repeater base. Realign the Repeater Dome to the Base and ensure that the wire is exiting the base through the slit and the Locking Dimples are aligned with the locking holes. Apply enough pressure so that the Dome “snaps” into the base.

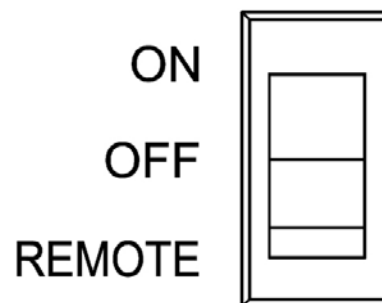


OPERATING INSTRUCTIONS

WIR-TRAN, PAL ROCKER SWITCH

OPERATION

The WIR-TRAN, PAL receiver box houses one rocker switch, for operation with the wireless transmitter, the switch needs to be in the DOWN or REMOTE position. To manually turn ON the PAL light connected to the Rocker Switch, flip the Rocker Switch UP or to the ON position. When the Rocker Switch is in the ON position, the Wireless Remote will not be able to turn OFF the PAL light connected to the Rocker Switch terminal. To turn OFF the PAL light manually, flip the Rocker Switch to the MIDDLE or OFF position. NOTE: In the OFF position, the wireless remote operation will be bypassed. To re-enable the wireless remote operation, flip the Rocker Switch back to the BOTTOM or REMOTE position. NOTE: If the unit turns ON when the switch is returned to the REMOTE position, simply use the wireless remote to turn OFF the unit if desired.



NOTE: Switch is shown in the ON position.

WIRELESS REMOTE OPERATION

NOTE: The Rocker Switch on the WIR-TRAN, PAL must be set to REMOTE for wireless operation. The POWER ON/OFF button controls the PAL light connected to the Rocker Switch terminal. With each push of the button, the WIR-TRAN, PAL toggles the PAL light ON and OFF.

