

**POOL**  
**MODELS: 5350 THRU 8350 HEAT PUMP**

CATALOG NO. RP9100.75  
Effective: 01-26-12  
Replaces: 11-03-11

## RAYPAK ILLUSTRATED PARTS LIST

**MODEL SIZE: 5350, 6350 & 8350**

**MODEL TYPE: HEAT PUMP POOL HEATER**

DATES OF MANUFACTURE: 11-1-09 THRU CURRENT

1-1-12 THRU CURRENT - WEATHERKING PRODUCT

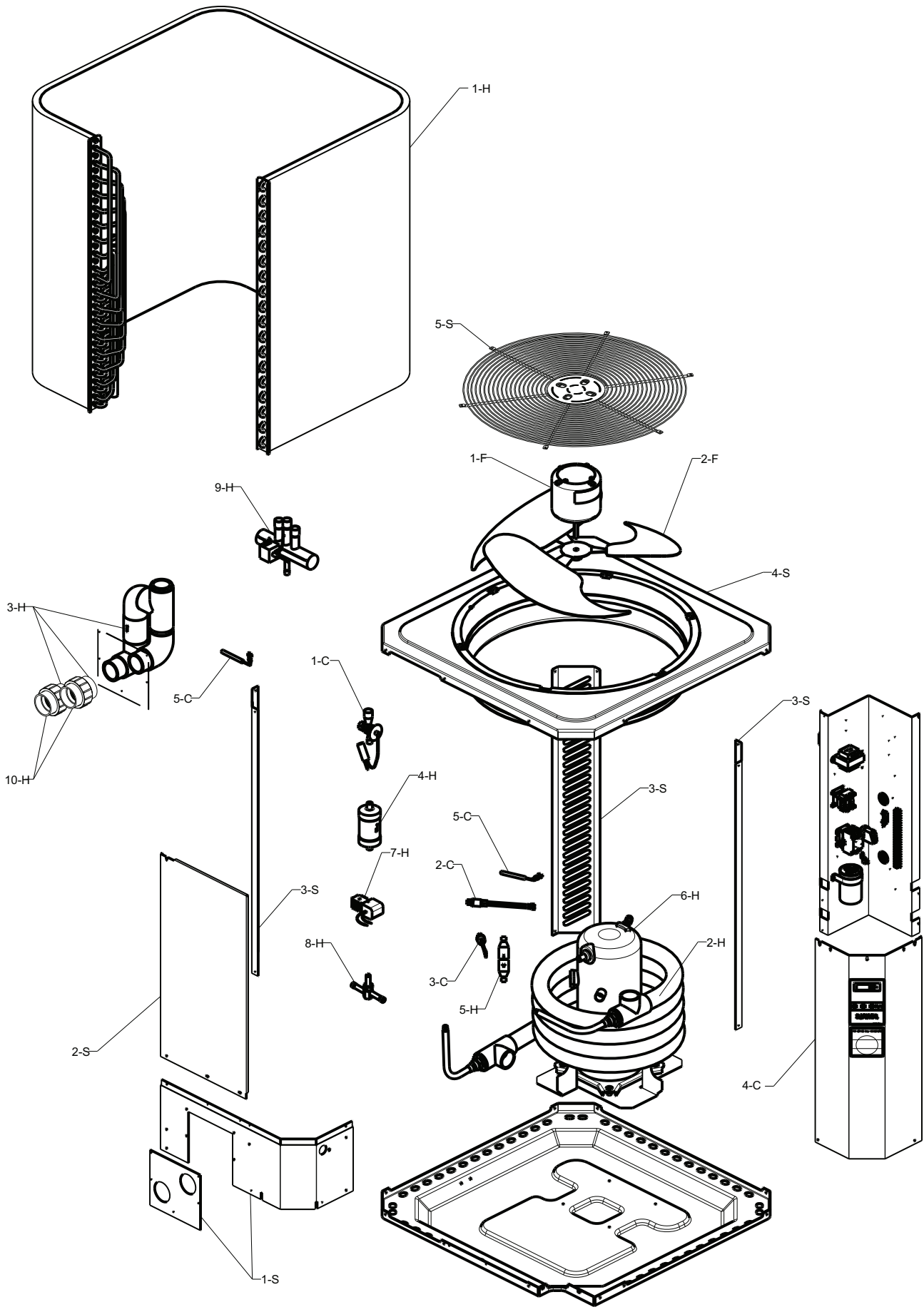
THE PARTS LISTED ARE FOR STANDARD EQUIPMENT FOR THIS MODEL TYPE. RAYPAK RESERVES THE RIGHT TO SUBSTITUTE, DELETE OR CHANGE ANY PART WITHOUT NOTIFICATION. THE ADDITION OF OPTIONS MAY ALSO CHANGE SOME OF THE PARTS. ORDER REPLACEMENT PARTS FROM ACTUAL HEATER COMPONENTS.



FOR DETAILED INSTRUCTIONS, SEE "HOW TO USE YOUR ILLUSTRATED PARTS LIST",  
CATALOG NO. 9001.10

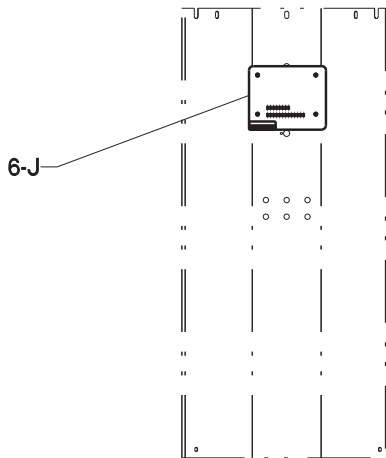
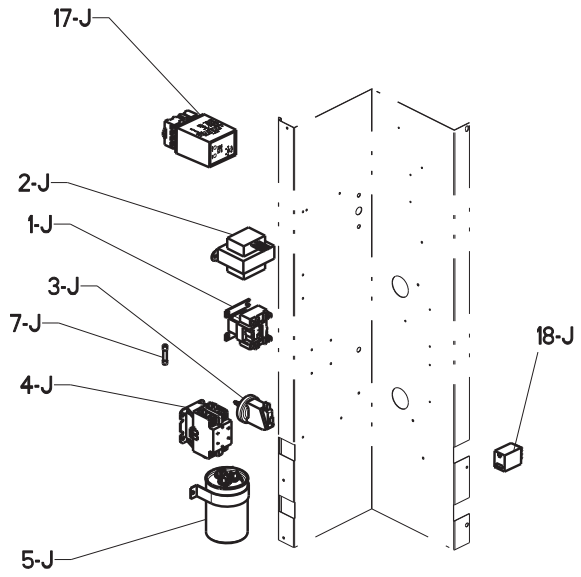


Raypak, Inc., 2151 Eastman Avenue, Oxnard, CA 93030  
(805) 278-5300 Fax (800) 872-9725  
Litho In U.S.A.

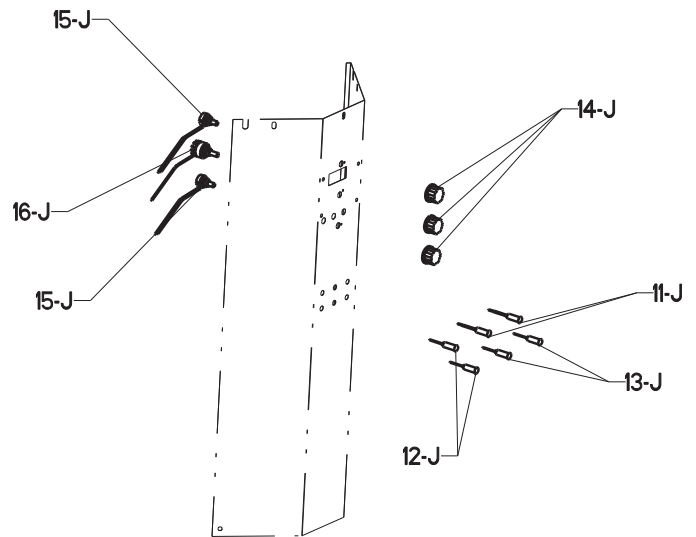
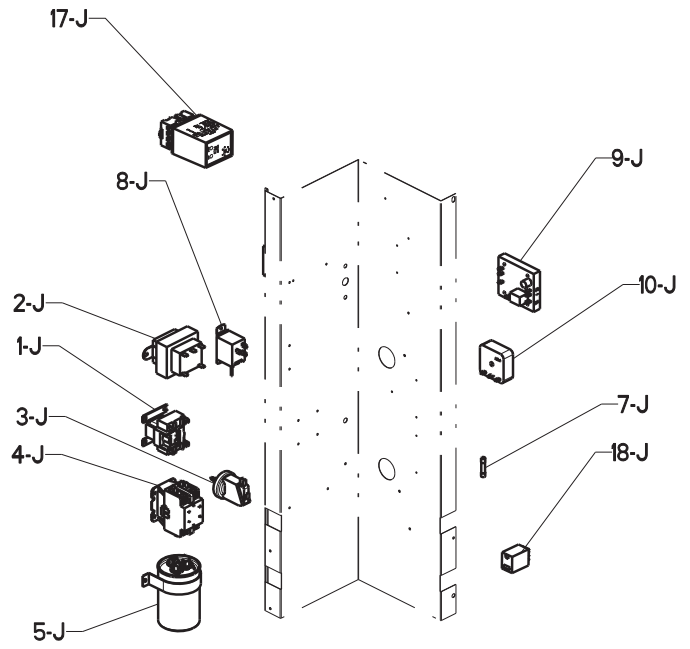


CALLOUT	DESCRIPTION	RAYPAK			PERFECTEMP			WEATHERKING
		R5350	R6350	R8350	P5350	P6350	P8350	W6350
<b>CONTROLS</b>								
1-C	TX Valve							
	Heat	H000076	H000173	H000077	H000076	H000173	H000077	H000173
	Heat/Cool		H000076	H000173		H000076	H000173	
	Power Defrost		H000173			H000173		
2-C	Low Pressure Switch	H000078	H000078	H000078	H000078	H000078	H000078	H000078
3-C	High Pressure Switch	H000079	H000079	H000079	H000079	H000079	H000079	H000079
4-C	Control Cover Digital (Shown)							
	Green	H000052	H000052	H000052				
	Chicory				H000099	H000099	H000099	
	Warm Dark Gray	H000222	H000222	H000222	H000222	H000222	H000222	H000290
	Stainless Steel	H000224	H000224	H000224				
	Control Cover Analog							
	Green	H000054	H000054	H000054				
	Chicory				H000100	H000100	H000100	
	Warm Dark Gray	H000225	H000225	H000225	H000225	H000225	H000225	
5-C	Temperature Sensor	H000002	H000002	H000002	H000002	H000002	H000002	H000002
<b>HEAT TRANSFER</b>								
1-H	Evaporator Coil							
	Heat	H000016	H000018	H000020	H000016	H000018	H000020	H000018
	Heat/Cool		H000038	H000046		H000038	H000046	
2-H	Heat Exchanger							
	Heat	H000022	H000022	H000024	H000022	H000022	H000024	H000022
	Heat/Cool		H000048	H000050		H000048	H000050	
3-H	Bypass Assembly	H000042	H000042	H000042	H000042	H000042	H000042	H000042
10-H	PVC Union	H000247	H000247	H000247	H000247	H000247	H000247	H000247
4-H	Liquid Line Drier							
	Heat	H000011	H000011	H000011	H000011	H000011	H000011	H000011
	Heat/Cool (Bi-Flow)		H000004	H000004		H000004	H000004	
5-H	Check Valve			H000006			H000006	
6-H	Compressor							
	1 PH	H000010	H000012	H000014	H000010	H000012	H000014	H000012
	3 PH		H000171	H000110		H000171	H000110	
	3 PH 460V			H000109			H000109	
11-H	Compressor Power Plug (Not Shown)	H000271	H000271	H000271	H000271	H000271	H000271	H000271
12-H	Compressor Wire Harness (Not Shown)	H000272	H000272	H000272	H000272	H000272	H000272	H000272
7-H	Solenoid Coil							
	Power Defrost		H000107			H000107		
8-H	Solenoid Valve							
	Power Defrost		H000108			H000108		
9-H	Reversing Valve							
	Heat/Cool		H000136	H000136		H000136	H000136	
<b>FAN</b>								
1-F	Fan Motor 1 PH / 3 PH 230V	H000084	H000084	H000084	H000084	H000084	H000084	H000084
	Fan Motor 3 PH 460V			H000115			H000115	
2-F	Fan Blade 1 PH / 3 PH 230V	H000044	H000044	H000044	H000044	H000044	H000044	H000044
	Fan Blade 3 PH 460V			H000116			H000116	

\* NOTE: R-410 A components not compatible with R22 units.



DIGITAL



ANALOG

CALLOUT	DESCRIPTION	RAYPAK			PERFECTEMP			WEATHERKING
		R5350	R6350	R8350	P5350	P6350	P8350	W6350
	<b>CONTROL BOX</b>							
1-J	Fan Relay	H000017	H000017	H000017	H000017	H000017	H000017	H000017
2-J	Transformer							
	Digital	H000021	H000021	H000021	H000021	H000021	H000021	H000021
	Digital 3 PH		H000021	H000021		H000021	H000021	
	Analog	H000023	H000023	H000023	H000023	H000023	H000023	H000023
	Analog 3 PH			H000023			H000023	
	Analog 3 PH 460V			H000112			H000112	
3-J	Water Pressure Switch	H000025	H000025	H000025	H000025	H000025	H000025	H000025
4-J	Contactora							
	1 PH	H000043	H000043	H000043	H000043	H000043	H000043	H000043
	3 PH		H000114	H000114		H000114	H000114	
5-J	Capacitor							
	1 PH	H000080	H000080	H000081	H000080	H000080	H000081	H000080
	3 PH		H000117	H000117		H000117	H000117	
	3 PH 460V			H000113			H000113	
6-J	Control Board	H000029	H000029	H000029	H000029	H000029	H000029	H000029
7-J	Fuse	H000001	H000001	H000001	H000001	H000001	H000001	H000001
8-J	Defrost Control Switch	H000065	H000065	H000065	H000065	H000065	H000065	H000065
9-J	Control Board	H000035	H000035	H000035	H000035	H000035	H000035	H000035
10-J	Delay on Break Timer	H000019	H000019	H000019	H000019	H000019	H000019	H000019
11-J	Green LED	H000037	H000037	H000037	H000037	H000037	H000037	H000037
12-J	Amber LED	H000039	H000039	H000039	H000039	H000039	H000039	H000039
13-J	Red LED	H000041	H000041	H000041	H000041	H000041	H000041	H000041
14-J	Knob	H000008	H000008	H000008	H000008	H000008	H000008	H000008
15-J	Potentiometer	H000061	H000061	H000061	H000061	H000061	H000061	H000061
16-J	Rotary Switch	H000057	H000057	H000057	H000057	H000057	H000057	H000057
17-J	3 PH Monitor		H000111	H000111		H000111	H000111	
18-J	Controller Relay		H000003	H000003		H000003	H000003	H000003

CALLOUT	DESCRIPTION	RAYPAK			PERFECTEMP			WEATHERKING
		R5350	R6350	R8350	P5350	P6350	P8350	W6350
	<b>MISCELLANEOUS</b>							
1-M	Touch-up Paint							
	Green	750125	750125	750125				
	Chicory				750250	750250	750250	
	Warm Dark Gray	750258	750258	750258	750258	750258	750258	750258
	<b>SHEETMETAL</b>							
1-S	Electrical Input Panel							
	Green	H000026	H000028	H000028				
	Chicory				H000056	H000058	H000058	
	Warm Dark Gray	H000201	H000202	H000202	H000201	H000202	H000202	H000202
	Stainless Steel	H000203	H000204	H000204				
2-S	Access Panel							
	Green	H000030	H000030	H000030				
	Chicory				H000060	H000060	H000060	
	Warm Dark Gray	H000205	H000205	H000205	H000205	H000205	H000205	H000205
	Stainless Steel	H000206	H000206	H000206				
3-S	Corner Jacket Panel							
	Green	H000032	H000034	H000034				
	Chicory				H000062	H000064	H000064	
	Warm Dark Gray	H000231	H000232	H000232	H000231	H000232	H000232	H000232
	Stainless Steel	H000216	H000217	H000217				
4-S	Jacket Top							
	Green	H000036	H000036	H000036				
	Chicory				H000066	H000066	H000066	
	Warm Dark Gray	H000211	H000211	H000211	H000211	H000211	H000211	H000211
	Stainless Steel	H000209	H000209	H000209				
5-S	Grille Fan Guard	H000040	H000040	H000040	H000101	H000101	H000101	H000101



**[www.raypak.com](http://www.raypak.com)**

Technical Support: (800) 260-2758 M-F 8:30am - 4:30pm EST