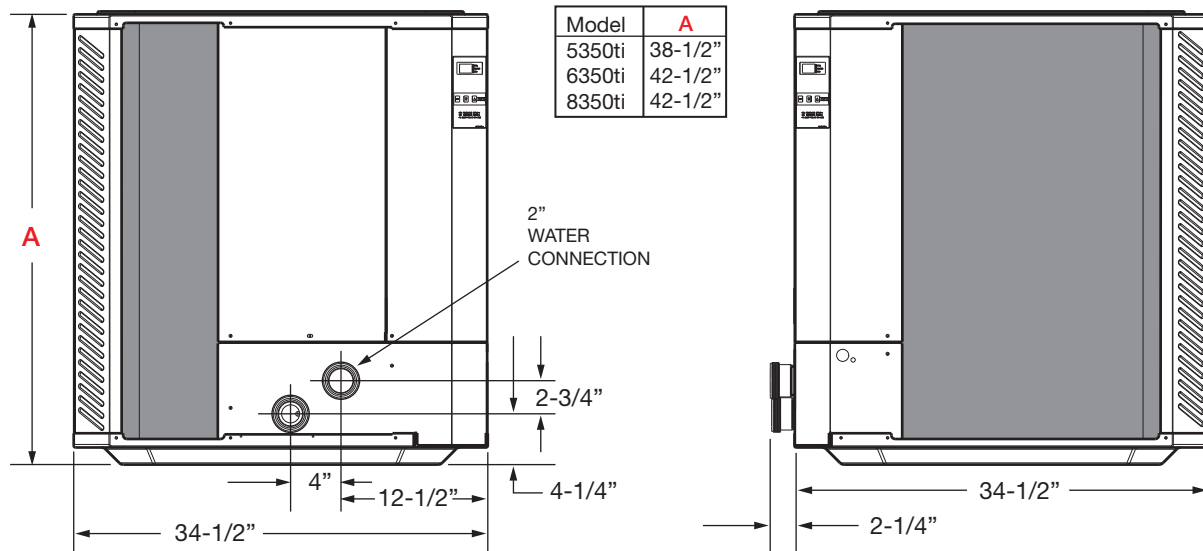


Technical Data

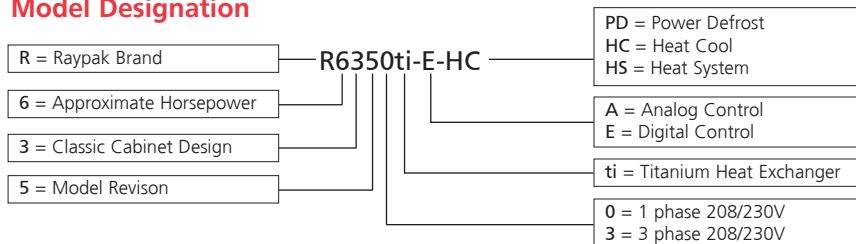
Classic Series Heat Pump Pool Heaters



MODEL	R5350ti	R6350ti	R8350ti
Heat BTUH Output (80,80,80)*/AHRI 1160 (80,63,80)**	95,000/92,000	117,000/113,000	133,000/125,000
C.O.P.	6.2/6.0	6.2/6.0	5.5/5.2
Compressor		Scroll	
Refrigerant		R-410A	
Voltage		208/230V-1Ph-60Hz	
Minimum Circuit Ampacity	40	42	42
Maximum Breaker Size (Amps)	60	60	60
Electrical Input (kw)	4.3	5.5	7.0
Heat Exchanger		Titanium	
Water Flow (gpm)	15-60	15-60	15-60
Shipping Weight (lbs.)	302	310	358

*Tested outside the scope of AHRI 1160 **Tested to AHRI 1160 All models comply with Florida 4.0 minimum C.O.P. requirement.

Model Designation



Swimming Pool and Spa Heating Products

Technical Data

Classic Series Heat Pump Pool Heaters

Classic Model Standard Features

Cabinet

- **Exclusive DuraSteel™ Powder-Coated Cabinet**
Polyester powder-coated, non-corrosive cabinet is more durable than plastic heat pump cabinets. Same rugged steel construction used by all the major air conditioner manufacturers.

Evaporator Coil

- **Large Air Coils**
Raised lanced-fin design maximizes heating at lower temperatures. Raypak engineered coils are highly optimized to meet our specific design requirements. From the proper fins per inch to advanced distribution circuiting. We are the only heat pump pool heater company to actually manufacture our own coils.
- **Venturi Fan Cowling**
High-capacity 3000-cfm fan provides unrestricted air flow for better heating. Precision engineered and manufactured cabinet design eliminates unwanted air gaps. This means more air over the coil which translates to greater efficiency.

Compressor

- **Scroll Compressor**
Scroll compressors are quiet and efficient compared to piston type compressors. They provide higher efficiency, lower sound levels, superior durability and unsurpassed reliability. The unique design of a scroll compressor actually wears in over time, not out!
- **Sound Isolation Pads**
Prevents sound transfer to equipment pad and elevates the base pan to improve water drainage. Its the little details like this that make Raypak products stand out from the crowd.

Heat Exchanger

- **Spiral Titanium Tube**
Our spiral titanium tube heat exchanger provides a corrosion-free waterway that can withstand the abuses of harsh pool chemistry. The spiral tube helps reduce deposit build-up and increases efficiency by performing a “scoop-and-lift” action.
- **Internal Bypass Valving**
Automatically compensates for normal day-to-day changes in your pool’s hydraulics, maximizing heat transfer efficiency.
- **Plumbing Connections**
Off-set 2” PVC union connections are included for ease of installation.

Controls - Analog

- **Dual Thermostats**
Allows separate pool and spa temperature settings.
- **Exclusive Direct-Set Thermostat**
Our direct-set thermostat is easy to use; the temperature settings are right on the dial. This eliminates the guess work involved compared with some dials that use a gradient or blue-to-red “swoosh”.
- **Remote/Local Switch**
Compatible with the latest automated pool control systems. Exclusive remote/local switch ends the conflict between outside control systems and the heat pump control system. Great for troubleshooting.
- **Diagnostic Lights**
Six LED diagnostic lights keep you informed about the heat pump pool heater operation. Power on, water flow, heat demand, compressor delay, defrost active, low refrigerant pressure.



Controls - Digital

- **Pool/Spa Control**
Your digital heat pump pool heater can be set to have a different target temperature for your pool and spa. This allows you to dial in just the right spa temperature and never have to adjust it again. The pool can be set to a lower, more energy saving temperature.
- **Remote Compatible**
The digital heat pump pool heater can be easily controlled by most two-wire and three-wire remote systems.
- **On Board Diagnostics**
Tells the homeowner if there is a problem. Provides the service technician with detailed diagnostic information.



In keeping with its policy of continuous progress and product improvement, Raypak reserves the right to make changes without notice



Swimming Pool and Spa Heating Products