



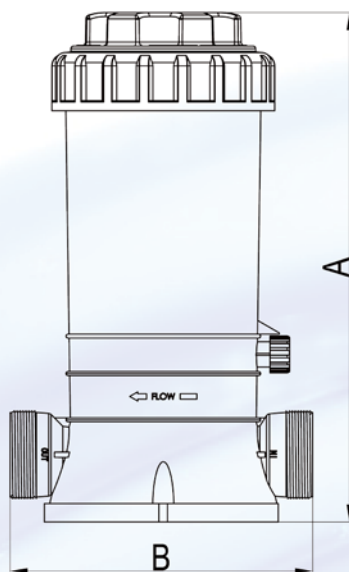
BC0167

BC0166

BC0168

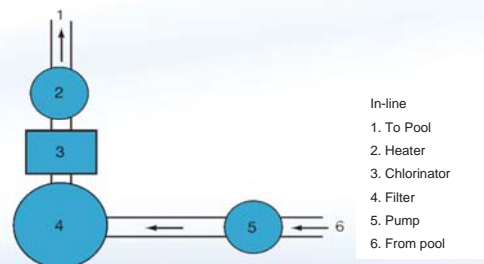
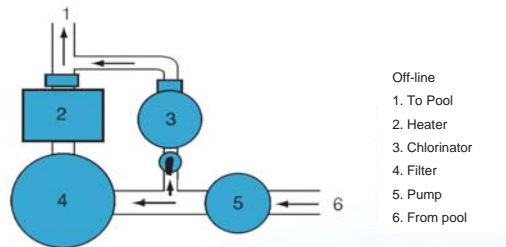
BC0169

## Dimensions



## Chlorinator Features

- Use 3" diameter chlorine tablets
- Dial control valve lets you control and adjust the rate of feed
- Threaded cover design for easy opening and replenishment of chlorine tablets.
- Easy installation for Do-It-Yourselfers



**Note:** Please follow instructions carefully for proper installation of chlorinator.

**Caution:** Extreme care must be exercised when addition chemicals to the pool. Use only the recommended chlorine tablets. Improper use or mixing of chemicals may result in fire or explosion causing personal injury or death.

**Caution:** Never use petroleum based lubricants on this product. Use only non-petroleum based lubricants.

Model Number	Capacity kg(lbs)	Dimension BXA	Pool Size (m <sup>3</sup> / gal)	Fitting Size	Type	Weight Kg (lbs)	Carton Dimension (cm)
BC0166	2.5 (4.2)	212 x 356mm (8.3" x 14")	95 / 25096	1 1/2"	Off-Line	0.8 (1.76)	22 x 14.5 x 37
BC0167	2.5 (4.2)	205 x 356mm (8.1" x 14")	95 / 25096	3/8"-18	In-Line	0.96 (2.1)	22 x 14.5 x 37
BC0168	4.5 (9)	203 x 390mm (8" x 15")	150 / 39626	3/8"-18	Off-Line	1.56 (3.43)	23 x 17.8 x 40
BC0169	4.5 (9)	230 x 390mm (9.1" x 15")	150 / 39626	1 1/2"	In-Line	1.44 (3.17)	23 x 17.8 x 40